

i (r) i s

(SERIAL NUMBER PREFIX IRS & IRSE)

PARTS MANUAL

JANUARY 2014

Cover.....	1
Multimedia.....	1
QUICKIE IRIS (SN PREFIX IRS & IRSE).....	6
BASE FRAME.....	6
FRAME.....	6
BASE FRAME & ROLLER ASSM.....	6
ROCKER ASSM.....	8
STRUT GROWTH KITS.....	10
TRANSIT KIT QUICKIE IRIS.....	12
FOOT RELEASE QUICKIE IRIS.....	13
TILT CABLES.....	14
TILT HANDLE & CABLE FOR STROLLER HANDLE & RECLINING BACKREST.....	15
TILT HANDLE & CABLE FOR HGT ADJ BACKCREST.....	16
AXLE PLATES & AXLES.....	16
QUICK RELEASE AXLES MATRIX.....	17
AXLE BRACKETS.....	18
ONE-ARM DRIVE (S/N Prefix IRS or IRSE only).....	20
CASTERS & FORKS.....	21
CASTER STEM & FORK ASSM.....	22
3 SPOKE CASTERS.....	24
8" x 2" CASTERS.....	26
ANTI-TIPS.....	26
REAR ANTI-TIPS.....	27
WHEEL LOCKS.....	28
FOOTLOCK.....	29
USER WHEEL LOCK.....	31
HUB LOCK.....	33
WHEELS & TIRES.....	34
WHEELS.....	34
12" MAG.....	35
16" MAG.....	36
MAG.....	37
QUICKIE SPOKE.....	39
LITE SPOKE.....	40
TIRES.....	40
PNEUMATIC & PNEU. AIRLESS TIRE.....	41
FULL POLY TIRE.....	42
LOW POLY TIRE.....	43
KEVLAR TIRE.....	44
TUBES.....	44
TUBES AND AIRLESS INSERTS.....	45
SEATING & POSITIONING.....	46
SEAT.....	46
REG & DROP SEAT PAN (SN Prefix IRS or IRSE only).....	47
BACK.....	50
HEIGHT ADJUSTABLE BACKREST PRIOR TO S/N IRS-007726 & IRSE-008701.....	50
HEIGHT ADJ BACKREST W/ ADJ STROLLER HANDLE (PRIOR TO S/N IRS-007726 & IRSE-008701).....	50
HEIGHT ADJUSTABLE BACKREST AFTER S/N IRS-007726 & IRSE-008701.....	52
HEIGHT ADJ BACKREST W/ ADJ STROLLER HANDLE (AFTER S/N IRS-007726 & IRSE-008701).....	53
TILT CABLES.....	54
TILT HANDLE & CABLE FOR STROLLER HANDLE & RECLINING BACKREST.....	55
TILT HANDLE & CABLE FOR HGT ADJ BACKCREST.....	56
STROLLER HANDLE BACKPOSTS.....	57
STROLLER HANDLE EXTENSION-REMOVABLE.....	59
RECLINING BACKREST (SN Prefix IRS or IRSE only).....	61
BACK PLATE REPLACEMENT BOLT KIT (SN Prefix IRS or IRSE only).....	64
DYNAMIC BACK.....	65
HANGERS & FOOTRESTS.....	66
SWING AWAY EXT MOUNT HANGERS FOR S/N PREFIX CGT & PRIOR TO S/N IRS-007726 & IRSE-008701.....	66
HANGERS.....	66
60 DEG S/A HANGER.....	67
70 DEG S/A HANGER.....	69
70 DEG V S/A HANGER.....	70
EXTENSION TUBES.....	71
DOUBLE D FOOTREST EXTENSION TUBE "OLD STYLE".....	72
HIGH MOUNT EXTENSION TUBE.....	74
FOOTPLATES.....	74
ADULT ANGLE-ADJUSTABLE FOOTPLATE EXT MOUNT.....	75
KIDS ANGLE ADJUSTABLE FOOTPLATE EXT MOUNT.....	77
LOCKING ANGLE ADJUSTABLE FOOTPLATE.....	79

PLATFORM FLIP-UP FOOTPLATE.....	81
COMPOSITE FOOTPLATE.....	83
SWING AWAY EXT MOUNT HANGERS AFTER S/N IRS-007726 & IRSE-008701.....	84
HANGERS.....	84
60 DEG HANGER SWING IN-OUT.....	85
70 DEG HANGER SWING IN-OUT.....	86
80 DEG HANGER SWING IN-OUT.....	87
FOOTPLATES.....	87
COMPOSITE FOOTPLATE.....	88
ADULT ANGLE-ADJ FOOTPLATE EXT MOUNT.....	92
KIDS ANGLE ADJ FOOTPLATE EXTENSION MOUNT.....	95
PLATFORM FLIP-UP FOOTPLATE.....	98
LOCKING ANGLE ADJ FOOTPLATE.....	100
FRONT MOUNT HANGERS.....	101
FRONT MOUNT HANGERS.....	101
SWING AWAY FRONT MOUNT HANGERS FOR S/N CGT & PRIOR TO S/N IRS-007726 & IRSE-008701.....	101
70 DEG S/A FRONT MOUNT HANGER.....	102
80 DEG S/A FRONT MOUNT HANGER.....	104
90 DEG S/A FRONT MOUNT HANGER.....	105
SWING AWAY FRONT MOUNT HANGERS AFTER S/N IRS-007726 & IRSE-008701.....	105
70 DEG FRONT MOUNT HANGER SWING IN-OUT.....	106
80 DEG FRONT MOUNT HANGER SWING IN-OUT.....	108
90 DEG FRONT MOUNT HANGER SWING IN-OUT.....	110
LIFT OFF FRONT MOUNT HANGERS.....	111
70 DEG LIFT-OFF HANGER.....	112
80 DEG LIFT-OFF HANGER.....	113
90 DEG LIFT-OFF HANGER.....	114
EXTENSION TUBES.....	114
FRONT MOUNT HANGER EXT.....	115
FOOTPLATES.....	115
KIDS ANGLE ADJ FOOTPLATE FRONT MOUNT.....	116
ADULT ANGLE-ADJ FOOTPLATE FRONT MOUNT.....	118
90 DEG FOOTBOARD.....	120
ELRS.....	121
EXT MOUNT ELR HANGERS.....	121
EXT MOUNT ELR HANGERS.....	121
ELEVATING HANGER.....	122
ELEVATING HANGER CALF PAD 14 -15".....	124
ELEVATING HANGER CALF PAD 16-20".....	125
EXTENSION TUBES.....	125
DOUBLE D FOOTREST EXTENSION TUBE "OLD STYLE".....	126
FOOTPLATES.....	127
ELR ALUMINUM FOOTPLATE.....	128
ADULT ANGLE-ADJUSTABLE FOOTPLATE EXT MOUNT.....	129
KIDS ANGLE ADJUSTABLE FOOTPLATE EXT MOUNT.....	131
FRONT MOUNT ELR HANGERS.....	132
FRONT MOUNT ELR HANGERS.....	132
90 DEG ELEVATING HANGER.....	133
90 DEG ELEVATING CALF PAD.....	135
FOOTPLATES.....	135
KIDS ANGLE ADJ FOOTPLATE FRONT MOUNT.....	136
ADULT ANGLE-ADJ FOOTPLATE FRONT MOUNT.....	138
ALRS.....	139
EXT MOUNT ALR HANGERS.....	139
EXT MOUNT ALR HANGERS.....	139
ARTICULATING HANGER.....	140
ARTICULATING HANGER CALF PAD.....	142
EXTENSION TUBES.....	142
ROUND EXTENSION TUBE.....	143
FOOTPLATES.....	144
ADULT ANGLE-ADJUSTABLE FOOTPLATE EXT MOUNT.....	145
KIDS ANGLE ADJUSTABLE FOOTPLATE EXT MOUNT.....	147
FRONT MOUNT ALR HANGERS.....	148
FRONT MOUNT ALR HANGERS.....	148
90 DEG ARTICULATING HANGER.....	149
90 DEG ARTICULATING HANGER CALF PAD.....	151
FOOTPLATES.....	151
KIDS ANGLE ADJ FOOTPLATE FRONT MOUNT.....	152
ADULT ANGLE-ADJ FOOTPLATE FRONT MOUNT.....	154
CONTRACTURE FOOTREST.....	155

CONTRACTURE FOOTREST	156
MULTI-POSITION LATCH STUD SUPPORT	159
ARMRESTS & RECEIVERS	159
SINGLE POST ARMRESTS FOR S/N CGT & PRIOR TO S/N IRS-007726 & IRSE-008701	159
SINGLE POST HEIGHT ADJUSTABLE ARMREST	160
SINGLE POST ARMRESTS AFTER S/N IRS-007726 & IRSE-008701	161
SINGLE POST HEIGHT ADJUSTABLE ARMREST	162
DUAL POST ARMRESTS & RECEIVERS	163
DUAL POST ARMREST & RECEIVER	164
DUAL POST HGT ADJ ARMREST & RECEIVER	166
FLIP-UP ARMRESTS	167
LENGTH ADJUSTABLE LOCKING FLIP-UP ARMREST	168
ADJUSTABLE LOCKING FLIP-UP ARMREST	170
RECEIVERS	172
SINGLE POST ARMREST RECIEVERS FOR S/N CGT & PRIOR TO S/N IRS-007726 & IRSE-008701	172
ADULT SINGLE POST ARMREST RECEIVER	172
KIDS SINGLE POST ARMREST RECEIVER	174
SINGLE POST ARMREST RECIEVERS AFTER S/N IRS-007726 & IRSE-008701	174
SINGLE POST ARMREST RECEIVER - STD	175
SINGLE POST ARMREST RECEIVER - LOW	176
DUAL POST ARMREST RECEIVER -FIXED	178
DUAL POST ARMREST RECEIVER -FLIP BACK	179
ACCESSORIES	180
TRAYS	180
TUFFAK TRAY (MANUAL & PEDIATRIC CHAIRS)	181
PADDED STOMACH CUTOUT	183
PROTRACTOR PAD	184
HINGED OVERLAY NON-REMOVABLE	185
HINGED OVERLAY REMOVABLE	186
TRAY RIBS TUFFAK	187
VENT & BATTERY TRAY (SN Prefix IRS or IRSE only)	188
ONE-ARM DRIVE (S/N Prefix IRS or IRSE only)	190
BACKPACKS AND POUCHES	191
BACKPACKS AND SEAT POUCHES	192
CASE LOGIC BAGS	193
CELL PHONE PACK	194
PLASTIC SIDE GUARDS	194
PLASTIC SIDE GUARDS FOR S/N CGT & PRIOR TO S/N IRS-007726 & IRSE-008701	194
PLASTIC SIDE GUARD	195
PLASTIC SIDE GUARDS AFTER S/N IRS-007726 & IRSE-008701	195
SIDE GUARDS	196
ANGLE ADJ IV POLE	197
IMPACT GUARD NEOPRENE & GEL VELCRO PADS	198
OXYGEN TANK HOLDER	199
AUTO BUCKLE POSITIONING BELTS	200
SOFT FEEL LEG STRAP	201
ADJUSTABLE LEG STRAP	202
QUICKIE CADDY	203
SPOKE GUARDS	204
TIRE PUMP	206
CANOPY	207

NOTE: SECOND STRUT TUBE USED ONLY FOR HD OPTION.

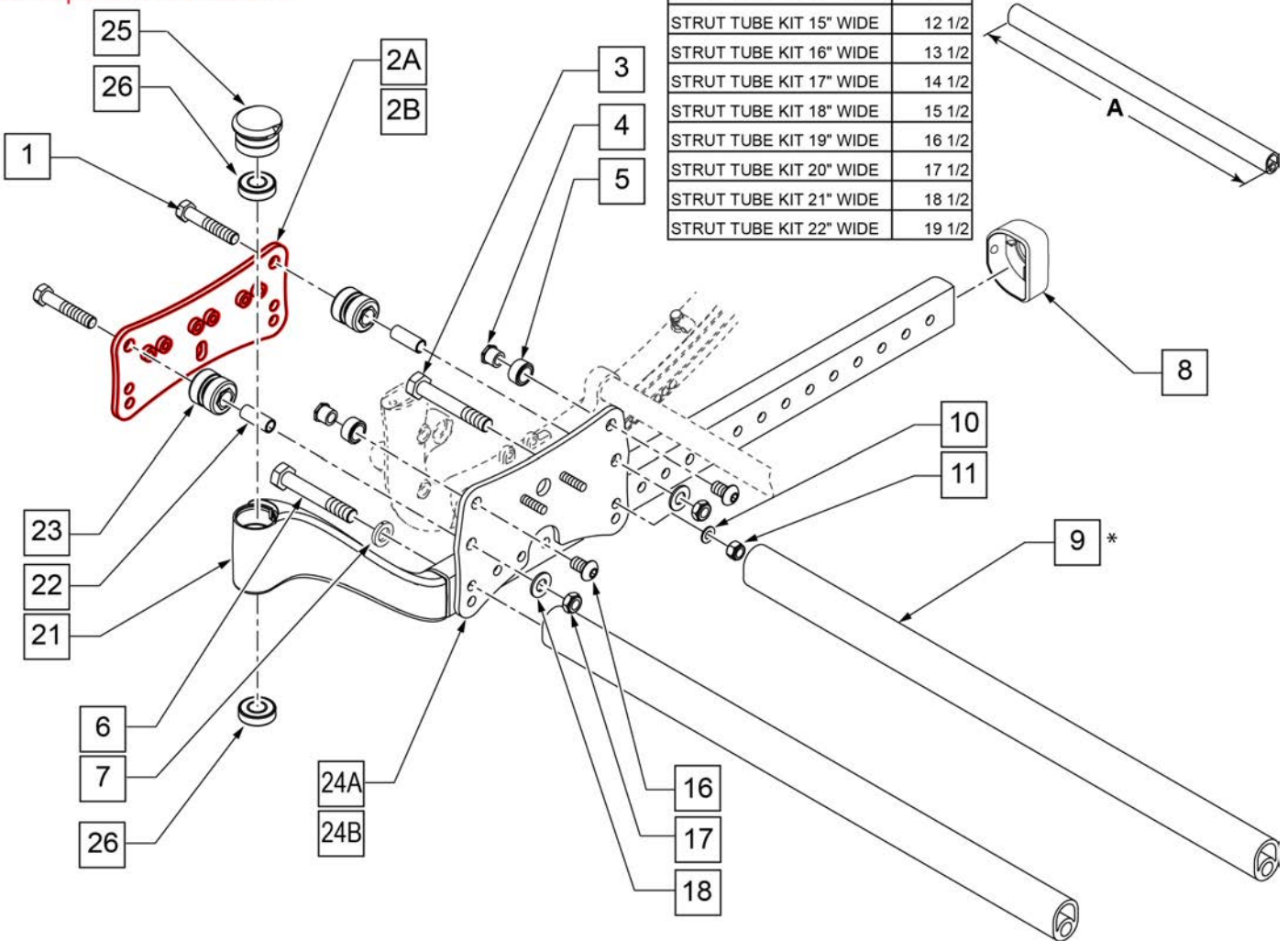
NOTE: When replacing Roller assembly on Chairs Built prior to s/n# IRS-020876 & IRSE 028386 User Wheel Locks must be replaced if present, see User Wheel Lock page. Attendant Wheel Locks Require new clamp assembly, see Footlock page.

NOTE: Beginning with s/n# IRS-020876 & IRSE 028386 Wheel Locks have been changed. New Outer Roller Plates are required if changing to new Wheel Locks.

Part Changes, please see notes/remarks for important information

ITEM 1 DESCRIPTION	DIM "A"
STRUT TUBE KIT 14" WIDE	11 1/2
STRUT TUBE KIT 15" WIDE	12 1/2
STRUT TUBE KIT 16" WIDE	13 1/2
STRUT TUBE KIT 17" WIDE	14 1/2
STRUT TUBE KIT 18" WIDE	15 1/2
STRUT TUBE KIT 19" WIDE	16 1/2
STRUT TUBE KIT 20" WIDE	17 1/2
STRUT TUBE KIT 21" WIDE	18 1/2
STRUT TUBE KIT 22" WIDE	19 1/2

MEASURING GUIDE

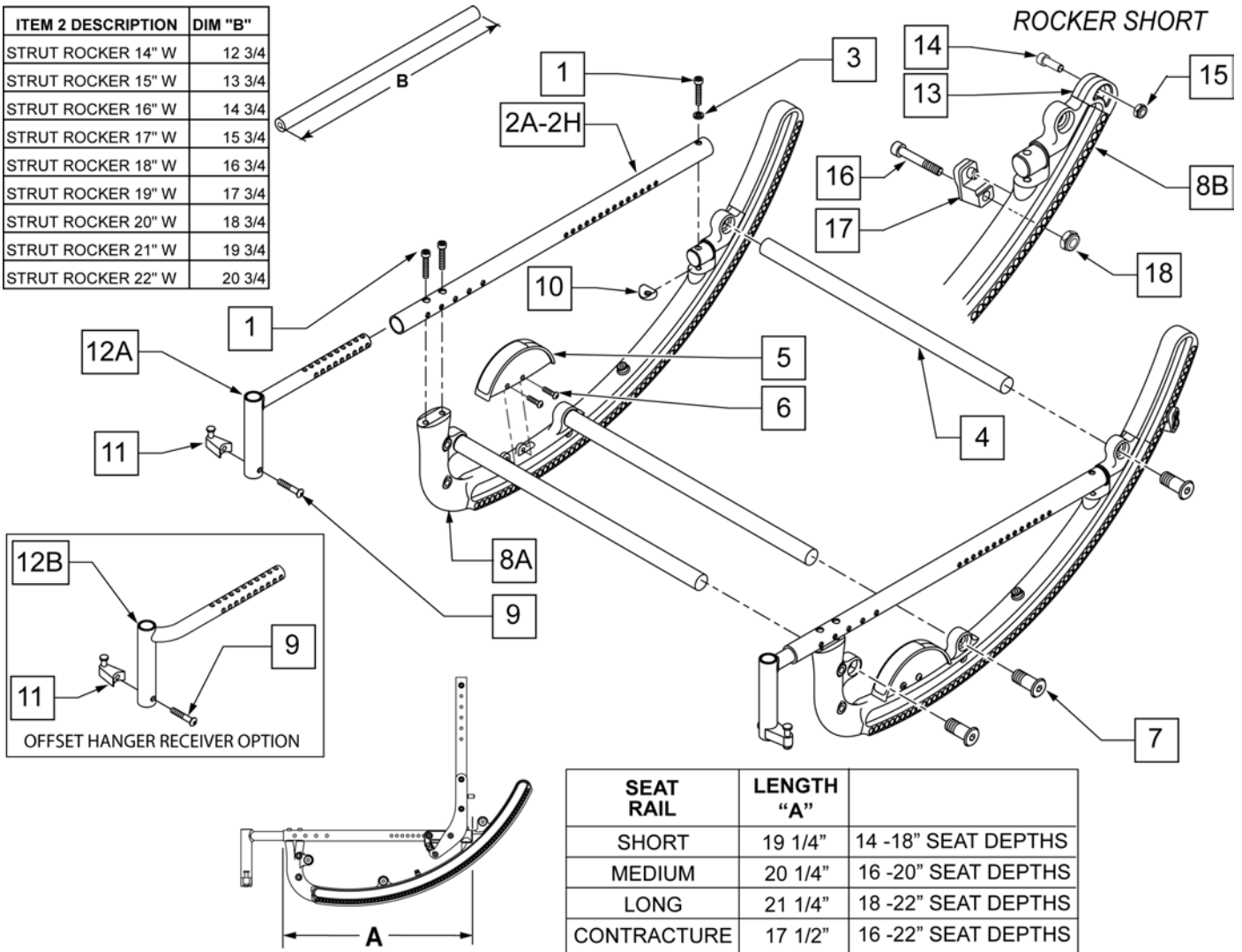


Pos.	Item Number	Description	Remarks
1	105890	HHCS 3/8-24 X 2 ROHS	
2A	124951	PLATE ROLLER OUTER STD	
2B	124952	PLATE ROLLER OUTER HD	
3	106985	HHCS 5/16 -24 x 2 ROHS	

Pos.	Item Number	Description	Remarks
4,5,16	108202	ROLLER UPPER KIT (4)	SET OF 4
6	106986	HHCS 5/16 -24" x 2 1/4 ROHS	
6,7	108201	STRUT TUBE HARDWARE KIT (4)	SET OF 4
7	106951	WASHER SPLIT LOCK 5/16 ROHS	
8	105809	CAP TUBE BASE	
10	106946	WASHER FLAT AN 5/16 ROHS	
11	106938	NUT NYLOCK 5/16 -24 ROHS	
12	106932	NUT NYLOCK 1/4 -20 ROHS	
13	106945	WASHER FLAT SAE 1/4 ROHS	
15	500698	PLATE PLUNGER ROLLER	
16	105897	BHCS 3/8 -24 x 5/8 PL ROHS	
17	105889	3/8 -24 NYLOCK NUT THIN BLACK	
18	106948	WASHER FLAT SAE 3/8 ROHS	
1,17,18,22,23	108203	ROLLER LOWER KIT (4)	SET OF 4
24A	105818	PLATE ROLLER INNER	Non HD Chairs
24B	105820	PLATE ROLLER INNER HD	HD Chairs only
25	116255	CAP CASTER	
26	349500	1 1/8 x 1/2 BEARING	
6,7,9	108192	STRUT TUBE KIT 14" WIDE	Includes 1 Tube
6,7,9	108193	STRUT TUBE KIT 15" WIDE	Includes 1 Tube
6,7,9	108194	STRUT TUBE KIT 16" WIDE	Includes 1 Tube
6,7,9	108195	STRUT TUBE KIT 17" WIDE	Includes 1 Tube
6,7,9	108196	STRUT TUBE KIT 18" WIDE	Includes 1 Tube
6,7,9	108197	STRUT TUBE KIT 19" WIDE	Includes 1 Tube
6,7,9	108198	STRUT TUBE KIT 20" WIDE	Includes 1 Tube
6,7,9	108199	STRUT TUBE KIT 21" WIDE	Includes 1 Tube
6,7,9	108200	STRUT TUBE KIT 22" WIDE	Includes 1 Tube
8,21,26	108204S	BASE WELDMENT ASSM R	RIGHT
8,21,26	108205S	BASE WELDMENT ASSM L	LEFT
1,2A,4,5,10,11,16,17,18,22,23,24A	124994	ROLLER ASSEMBLY STD	Non HD Chairs-one side only
1,2B,4,5,10,11,16,17,18,22,23,24B	125047	ASSY ROLLER	HD Chairs only-one side only

Note: For complete Strut Kits, please see "Strut Growth Kits" page.

ITEM 2 DESCRIPTION	DIM "B"
STRUT ROCKER 14" W	12 3/4
STRUT ROCKER 15" W	13 3/4
STRUT ROCKER 16" W	14 3/4
STRUT ROCKER 17" W	15 3/4
STRUT ROCKER 18" W	16 3/4
STRUT ROCKER 19" W	17 3/4
STRUT ROCKER 20" W	18 3/4
STRUT ROCKER 21" W	19 3/4
STRUT ROCKER 22" W	20 3/4

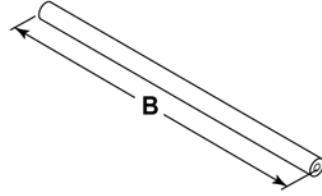
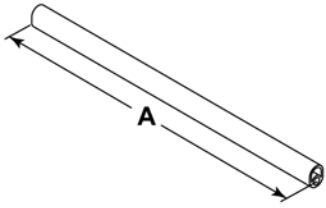


SEAT RAIL	LENGTH "A"	
SHORT	19 1/4"	14 -18" SEAT DEPTHS
MEDIUM	20 1/4"	16 -20" SEAT DEPTHS
LONG	21 1/4"	18 -22" SEAT DEPTHS
CONTRACTURE	17 1/2"	16 -22" SEAT DEPTHS

Pos.	Item Number	Description	Remarks
1	106976	SHCS 1/4 -28 x 1 1/2 ROHS	
2A	105800-001S	TUBE SEAT SHORT	SHORT NON-HD (ALUM)
2B	105800-002S	TUBE SEAT MED	MED NON-HD (ALUM)
2C	105800-003S	TUBE SEAT LONG	LONG NON-HD (ALUM)
2D	105800-004S	TUBE SEAT CONTRACTURE	CONT NON-HD (ALUM)
2E	105800-005S	TUBE SEAT HD SHORT	SHORT HD (STEEL)
2F	105800-006S	TUBE SEAT HD MED	MED HD (STEEL)
2G	105800-007S	TUBE SEAT HD LONG	LONG HD (STEEL)
2H	105800-008S	TUBE SEAT HD CONTRACTURE	CONT HD (STEEL)
3	106943	WASHER FLAT AN 1/4 ROHS	
4	105832-001	STRUT ROCKER 14" W	
4	105832-002	STRUT ROCKER 15" W	
4	105832-003	STRUT ROCKER 16" W	
4	105832-004	STRUT ROCKER 17" W	

Pos.	Item Number	Description	Remarks
4	105832-005	STRUT ROCKER 18" W	
4	105832-006	STRUT ROCKER 19" W	
4	105832-007	STRUT ROCKER 20" W	
4	105832-008	STRUT ROCKER 21" W	
4	105832-009	STRUT ROCKER 22" W	
6	106952	BHCS 10 -32 x 1/2 ROHS	
7	108179	ROCKER HDWR KIT (6)	QTY 6
9	106982	BHCS 5/16 -18 x 1 3/4 SHLD ROHS	
10	561004	1" SADDLE 1/4" HOLE	
11	105787	LATCH STUD SUPPORT BLK	
13	105798	CAP ROCKER	
14	106974	SHCS 1/4 -28 x 3/4 PL ROHS	
15	106935	NUT NYLOCK THIN 1/4 -28 ROHS	
16	106957	SHCS 10 -32 x 1 1/4 ROHS	
17	560349	TILT STOP ROCKER	
18	106931	NUT NYLOCK THIN 10 -32 ROHS	
4,7	108180	STRUT ROCKER KIT 14" W	SET OF 3
4,7	108181	STRUT ROCKER KIT 15" W	SET OF 3
4,7	108182	STRUT ROCKER KIT 16" W	SET OF 3
4,7	108183	STRUT ROCKER KIT 17" W	SET OF 3
4,7	108184	STRUT ROCKER KIT 18" W	SET OF 3
4,7	108185	STRUT ROCKER KIT 19" W	SET OF 3
4,7	108186	STRUT ROCKER KIT 20" W	SET OF 3
4,7	108187	STRUT ROCKER KIT 21" W	SET OF 3
4,7	108188	STRUT ROCKER KIT 22" W	SET OF 3
5,6	108191	ANGLE INDICATOR KIT	
5,6,8A	108189	ROCKER STD W/ INDICATOR	55 DEG OF RANGE
5,6,8B,13-18	108190	ROCKER SHORT W/ INDICATOR	40 DEG OF RANGE
9,11,12A	640205	TUBE FRONT HANGER ASSM	
9,11,12B	120037	OFFSET HANGER ASSM RIGHT	RIGHT
9,11,12B	120038	OFFSET HANGER ASSM LEFT	LEFT

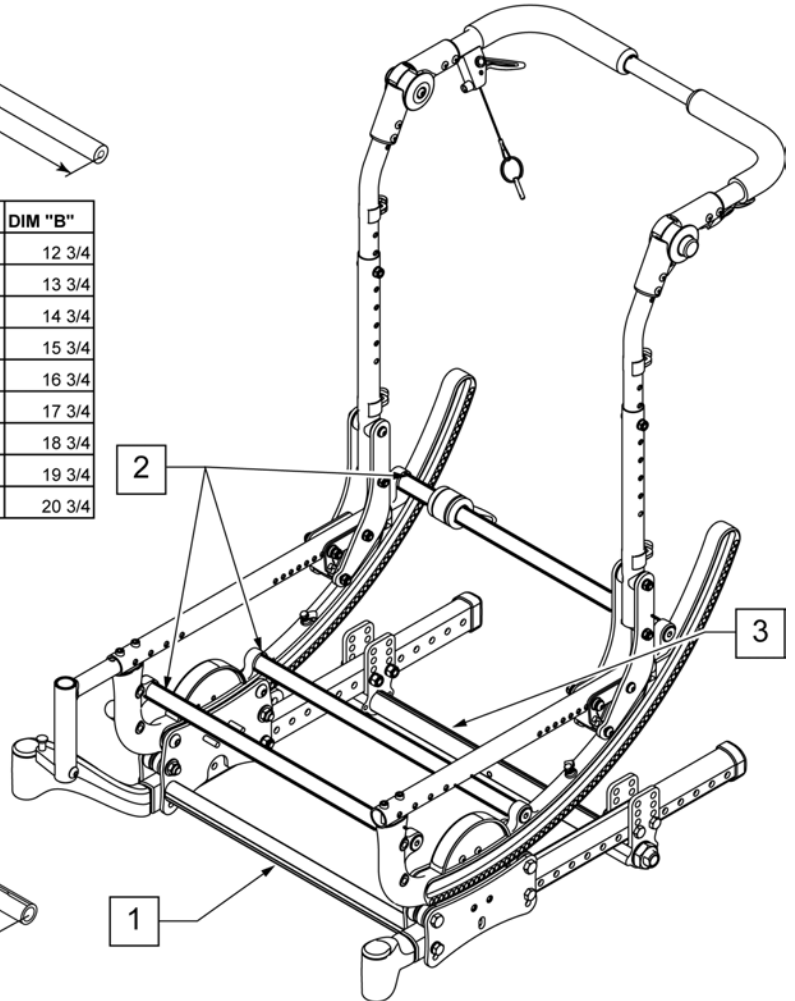
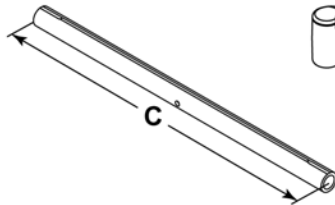
MEASURING GUIDE



ITEM 1 DESCRIPTION	DIM "A"
STRUT TUBE KIT 14" WIDE	11 1/2
STRUT TUBE KIT 15" WIDE	12 1/2
STRUT TUBE KIT 16" WIDE	13 1/2
STRUT TUBE KIT 17" WIDE	14 1/2
STRUT TUBE KIT 18" WIDE	15 1/2
STRUT TUBE KIT 19" WIDE	16 1/2
STRUT TUBE KIT 20" WIDE	17 1/2
STRUT TUBE KIT 21" WIDE	18 1/2
STRUT TUBE KIT 22" WIDE	19 1/2

ITEM 2 DESCRIPTION	DIM "B"
STRUT ROCKER 14" W	12 3/4
STRUT ROCKER 15" W	13 3/4
STRUT ROCKER 16" W	14 3/4
STRUT ROCKER 17" W	15 3/4
STRUT ROCKER 18" W	16 3/4
STRUT ROCKER 19" W	17 3/4
STRUT ROCKER 20" W	18 3/4
STRUT ROCKER 21" W	19 3/4
STRUT ROCKER 22" W	20 3/4

ITEM 3 DESCRIPTION	DIM "C"
STRUT AXLE 10W	10 1/4
STRUT AXLE 11W	11 1/4
STRUT AXLE 12W	12 1/4
STRUT AXLE 13W	13 1/4
STRUT AXLE 14W	14 1/4
STRUT AXLE 15W	15 1/4
STRUT AXLE 16W	16 1/4
STRUT AXLE 17W	17 1/4
STRUT AXLE 18W	18 1/4
STRUT AXLE 19W	19 1/4
STRUT AXLE 20W	20 1/4
STRUT AXLE 21W	21 1/4
STRUT AXLE 22W	22 1/4



Pos.	Item Number	Description	Remarks
>>>>		14" WIDE	
1-3	108222	STRUT GROWTH KIT 14"	SEE NOTE 3
1	108192	STRUT TUBE KIT 14"	CONTAINS 1 STRUT TUBE
2	108180	STRUT ROCKER KIT 14"	CONTAINS 3 ROCKER STRUTS
3	105836-001	STRUT AXLE 14"	CONTAINS 1 AXLE STRUT
>>>>		15" WIDE	
1-3	108223	STRUT GROWTH KIT 15"	SEE NOTE 3
1	108193	STRUT TUBE KIT 15"	CONTAINS 1 STRUT TUBE
2	108181	STRUT ROCKER KIT 15"	CONTAINS 3 ROCKER STRUTS
3	105836-002	STRUT AXLE 15"	CONTAINS 1 AXLE STRUT
>>>>		16" WIDE	
1-3	108224	STRUT GROWTH KIT 16"	SEE NOTE 3
1	108194	STRUT TUBE KIT 16"	CONTAINS 1 STRUT TUBE
2	108182	STRUT ROCKER KIT 16"	CONTAINS 3 ROCKER STRUTS
3	105836-003	STRUT AXLE 16"	CONTAINS 1 AXLE STRUT
>>>>		17" WIDE	
1-3	108225	STRUT GROWTH KIT 17"	SEE NOTE 3
1	108195	STRUT TUBE KIT 17"	CONTAINS 1 STRUT TUBE

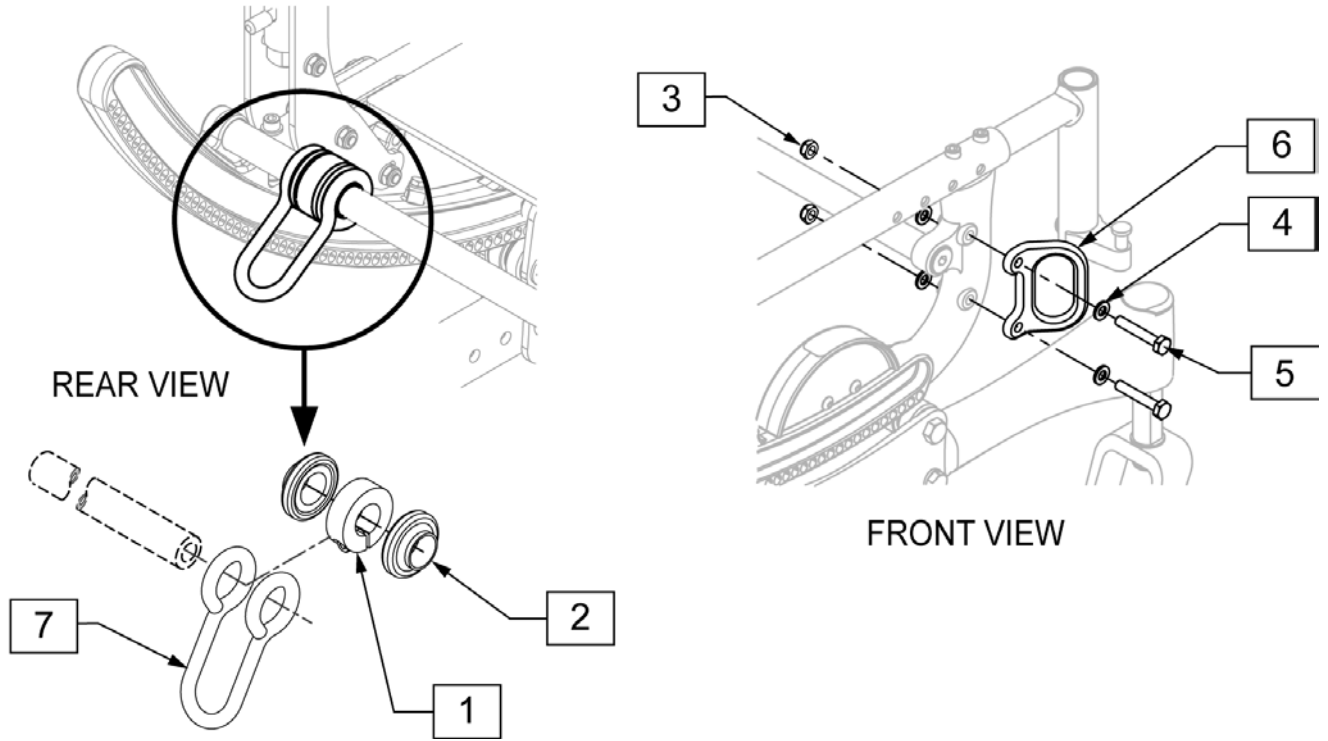
Pos.	Item Number	Description	Remarks
2	108183	STRUT ROCKER KIT 17"	CONTAINS 3 ROCKER STRUTS
3	105836-004	STRUT AXLE 17"	CONTAINS 1 AXLE STRUT
>>>>		18" WIDE	
1-3	108226	STRUT GROWTH KIT 18"	SEE NOTE 3
1	108196	STRUT TUBE KIT 18"	CONTAINS 1 STRUT TUBE
2	108184	STRUT ROCKER KIT 18"	CONTAINS 3 ROCKER STRUTS
3	105836-005	STRUT AXLE 18"	CONTAINS 1 AXLE STRUT
>>>>		19" WIDE	
1-3	108227	STRUT GROWTH KIT 19"	SEE NOTE 3
1	108197	STRUT TUBE KIT 19"	CONTAINS 1 STRUT TUBE
2	108185	STRUT ROCKER KIT 19"	CONTAINS 3 ROCKER STRUTS
3	105836-006	STRUT AXLE 19"	CONTAINS 1 AXLE STRUT
>>>>		20" WIDE	
1-3	108228	STRUT GROWTH KIT 20"	SEE NOTE 3
1	108198	STRUT TUBE KIT 20"	CONTAINS 1 STRUT TUBE
2	108186	STRUT ROCKER KIT 20"	CONTAINS 3 ROCKER STRUTS
3	105836-007	STRUT AXLE 20"	CONTAINS 1 AXLE STRUT
>>>>		21" WIDE	
1-3	108229	STRUT GROWTH KIT 21"	SEE NOTE 3
1	108199	STRUT TUBE KIT 21"	CONTAINS 1 STRUT TUBE
2	108187	STRUT ROCKER KIT 21"	CONTAINS 3 ROCKER STRUTS
3	105836-008	STRUT AXLE 21"	CONTAINS 1 AXLE STRUT
>>>>		22" WIDE	
1-3	108230	STRUT GROWTH KIT 22"	SEE NOTE 3
1	108200	STRUT TUBE KIT 22"	CONTAINS 1 STRUT TUBE
2	108188	STRUT ROCKER KIT 22"	CONTAINS 3 ROCKER STRUTS
3	105836-009	STRUT AXLE 22"	CONTAINS 1 AXLE STRUT
>>>>		COMPLETE GROWTH PACKAGE	
1-3	108231	14 -22" GROWTH PACKAGE	CONTAINS 1 OF EACH WIDTH STRUT GROWTH KIT.

Note: Fits Chairs w/serial # prefix IRS or IRSE only.

Note: 2 Strut Tubes (item 1) are used for HD option.

Note: Strut Tube Growth Kit contains (2) Strut Tubes, (3) Rocker Struts and (1) Axle Strut.

NOTE: Fits Quickie IRIS Chairs w/ serial number prefix IRS OR IRSE.
NOTE: Fits Zippie IRIS Chairs w/ serial number prefix ZRS OR ZRSE.

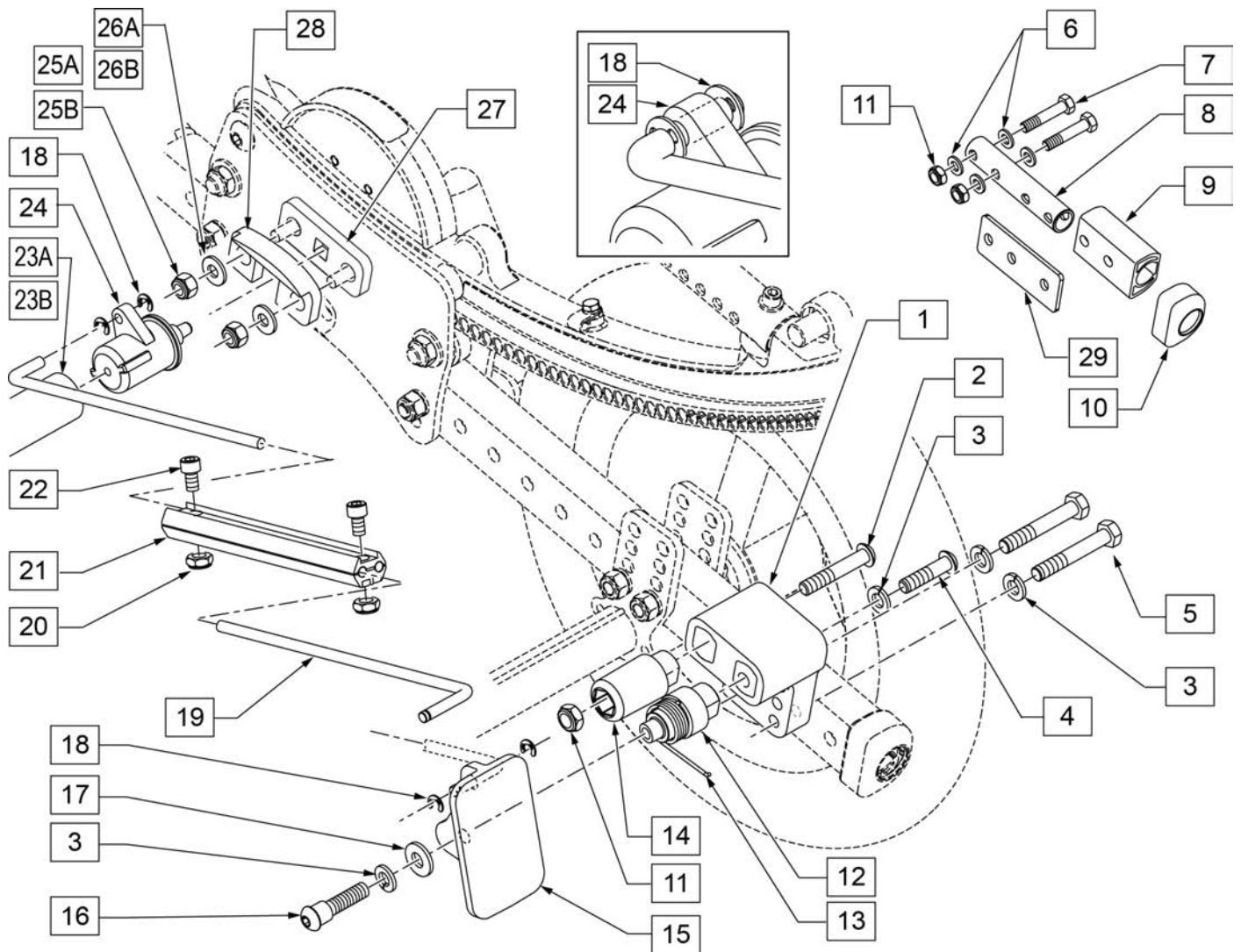


Pos.	Item Number	Description
1	105865	CLAMP SHAFT 3/4"
2	108765	BUSHING TRANSIT REAR
3	106935	NUT NYLOCK THIN 1/4-28 ROHS
4	106943	WASHER FLAT AN 1/4 ROHS
5	106972	HHCS 1/4-28 X 1-1/2 ROHS
1-7	109322S	TRANSIT KIT IRIS S/N PREFIX IRS

NOTE: See attached FOOT PEDAL MOUNTING GUIDE.pdf for mounting position.

NOTE: Item 9 is included with chair at time of purchase but is not mounted.

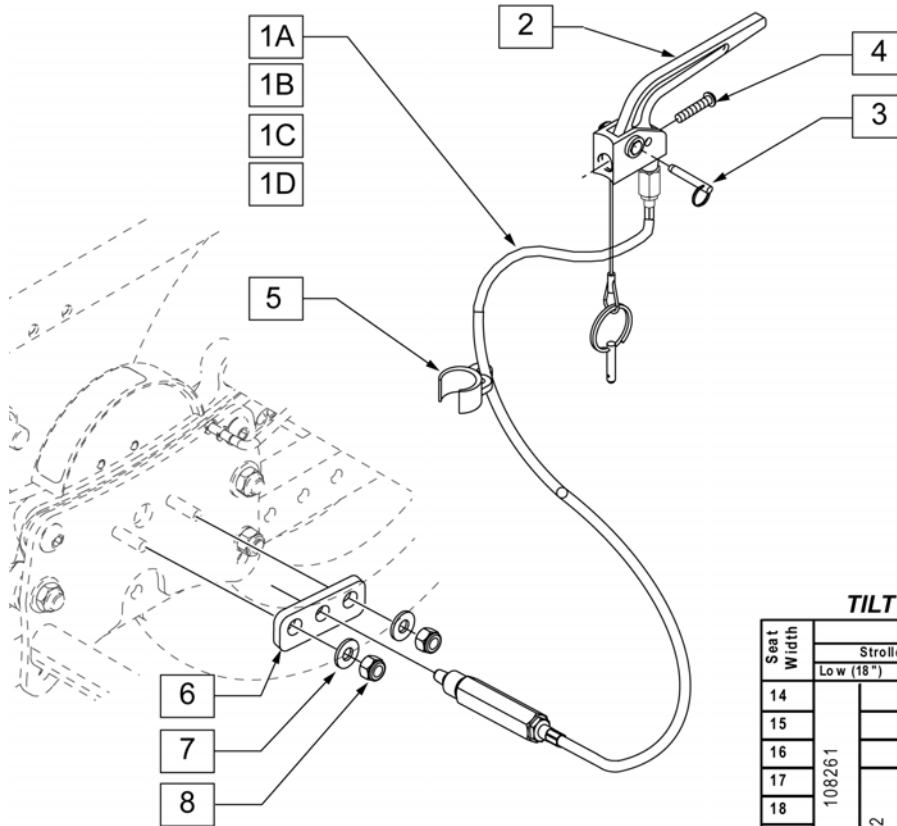
NOTE: Foot Release Extension is used with S/N prefix chairs IRS and IRSE only.



Pos.	Item Number	Description	Remarks
1	107242	BLOCK MOUNT FOOT RELEASE	
2	106982	BHCS 5/16 -18 x 1 3/4" SHLD ROHS	
3	106951	WASHER SPLIT LOCK 5/16" ROHS	
4	106980	BHCS 5/16 -18 x 1 1/4" ROHS	
5	106985	HHCS 5/16 -24 x 2" ROHS	
6	106946	WASHER FLAT AN 5/16" ROHS	

Pos.	Item Number	Description	Remarks
7	107358	HHCS 5/16 -18 x 1 1/2 ROHS	
8	107164	TUBE ADAPTER FOOT RELEASE	
9	107178	TUBE EXTENSION FOOT RELEASE	Black only
10	105809	CAP TUBE BASE	
11	202117	5/16-18 NYLOCK NUT THICK BLK	
12	106377	SHAFT PIVOT PEDAL	
13	106668	TORSION SPRING RH	RIGHT
13	106989	TORSION SPRING LH	LEFT
14	107167	POST STOP FOOT RELEASE	
15	107165	PEDAL FOOT RELEASE	
16	106979	BHCS 5/16 -18 x 3/4 ROHS	
17	263109	5/16" FENDER WASHER SS 3/4" OD	
18	106383	E-CLIP 3/16"	
19	107180	ROD LINKAGE FOOT RELEASE	
20	106931	NUT NYLOCK THIN 10 -32 ROHS	
21	107179	CLAMP LINKAGE FOOT RELEASE	
22	107181	SHCS 10 -32 x 1/2 ROHS	
23A	107239	ROCKER TUBE ASSM 13 -18"	13 -18" WIDE
23B	107240	ROCKER TUBE ASSM 15 -22"	15 -22" WIDE
18,24,27	108767	PIN RELEASE REPLACEMENT	Includes Left & Right
25A	106932	NUT NYLOCK 1/4 -20 ROHS	USED FOR CHAIRS W/ SN# Prefix IRS or ISE.
25B	201105	NUT NYLOCK THIN 1/4 -20 ROHS	USED FOR CHAIRS W/ SN# Prefix CGT.
26A	106945	WASHER FLAT SAE 1/4 ROHS	USED FOR CHAIRS W/ SN# Prefix IRS or ISE.
26B	106944	WASHER FLAT THIN AN 1/4 ROHS	USED FOR CHAIRS W/ SN# Prefix CGT.
28	118929	RETAINER ACTUATOR HOUSING	
29	108795	TUBE EXTENSION PLATE	
6-11,29	108615	FOOT RELEASE FRAME EXT.	Black only-not used for chairs w/ SN# Prefix CGT.
19 -22	108577	FOOT RELEASE LINKAGE ASSM	
1-4,11-17 *	112402	IRIS Z FOOT PEDAL ASSM R UP	RIGHT UP
1-4,11-17 *	112403	IRIS Z FOOT PEDAL ASSM L UP	LEFT UP
1-4,11-17 *	112404	IRIS Z FOOT PEDAL ASSM R DOWN	RIGHT DOWN
1-4,11-17 *	112405	IRIS Z FOOT PEDAL ASSM L DOWN	LEFT DOWN
1-29 *	116005	FOOT RELEASE KIT 14 -22 UP R	RIGHT UP -FITS S/N PREFIXS IRS, IRSE & CGT
1-29 *	116006	FOOT RELEASE KIT 14 -22 UP L	LEFT UP -FITS S/N PREFIXS IRS, IRSE & CGT
1-29 *	116007	FOOT RELEASE KIT 14 -22 DOWN R	RIGHT DOWN -FITS S/N PREFIXS IRS, IRSE & CGT
1-29 *	116008	FOOT RELEASE KIT 14 -22 DOWN L	LEFT DOWN -FITS S/N PREFIXS IRS, IRSE & CGT

NOTE: FITS QUICKIE IRIS CHAIRS W/ SERIAL NUMBERS PREFIX IRS OR IRSE ONLY.

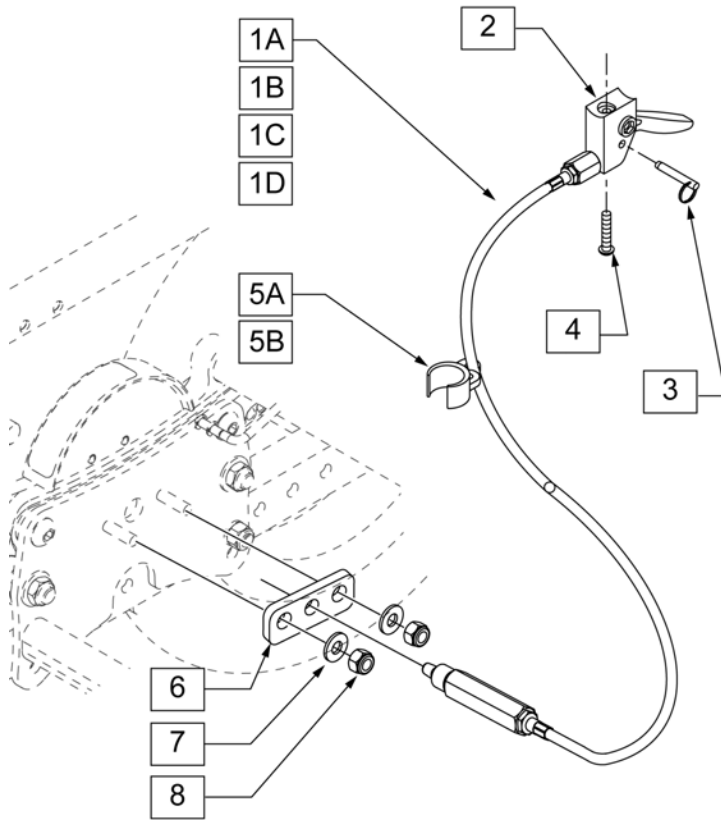


QUICKIE IRIS
TILT CABLE REFERENCE GUIDE

Seat Width	Backrest				
	Stroller Handle Back post			Reclining Back rest	
	Low (18")	Med (21")	Tall (24")	Medium	Tall
14	108261	108262	108263	108262	108263
15					
16					
17					
18	108262	108263	108264	108263	108264
19					
20					
21					
22					

Pos.	Item Number	Description	Remarks
2,3	580110	CYL LOCK LEVER ASSM QT/QR/P5	
4	281120	10/32 x 5/8 PAN HD PHIL	
5	108134	CLIP CABLE 1" (10)	PACK OF 10
6	500698	PLATE PLUNGER ROLLER	
7	106945	WASHER FLAT SAE 1/4 ROHS	
8	106932	NUT NYLOCK 1/4 -20 ROHS	
1A-8	108261	PH MNT CABLE ASM SHT	51" LONG (SHORT)
1B-8	108262	PH MNT CABLE ASM MED	54" LONG (MEDIUM)
1C-8	108263	PH MNT CABLE ASM LONG	57" LONG (LONG)
1D-8	108264	PH MNT CABLE ASM X LONG	60" LONG (X-LONG)

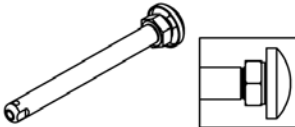
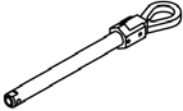
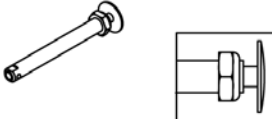
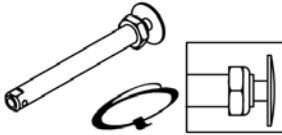
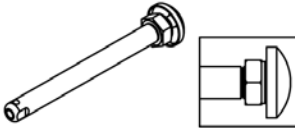
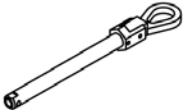
NOTE: FITS QUICKIE IRIS CHAIRS W/ SERIAL NUMBERS PREFIX IRS OR IRSE ONLY.



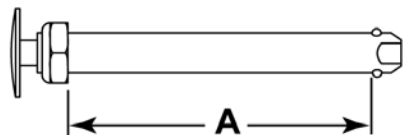
QUICKIE IRIS
TILT CABLE REFERENCE GUIDE

Seat Width	Backrest			
	Height Adj (Short or Long Push Handles)			
	Standard (15"-21")		Tall (18"-24")	
14	108269		108270	
15				
16				
17	108270		108271	
18				
19				
20		108271		108272
21				
22				

Pos.	Item Number	Description	Remarks
2,3	580109	PLUNGER PIN LEVER ASSM	
4	281120	10/32 x 5/8 PAN HD PHIL	
5A	108134	CLIP CABLE 1" (10)	PACK OF 10
5B	108135	CLIP CABLE 7/8" (10)	PACK OF 10
6	500698	PLATE PLUNGER ROLLER	
7	106945	WASHER FLAT SAE 1/4 ROHS	
8	106932	NUT NYLOCK 1/4 -20 ROHS	
1A-8	108269	HGT ADJ MNT CABLE ASM LNG	57" LONG (LONG)
1B-8	108270	HGT ADJ MNT CABLE ASM XL	60" LONG (X-LONG)
1C-8	108271	HGT ADJ MNT CABLE ASM 2XL	63" LONG (2XL-LONG)
1D-8	108272	HGT ADJ MNT CABLE ASM 3XL	66" LONG (3XL-LONG)

Wheel Type	Axle Type		Axle P/N	Spacer P/N
Mag Wheels	Quick Release	1A 	102063 A=4 1/8	N/A
	Quad Quick Release	1B 	922171 A=4 1/8	N/A
Standard Spoke	Quick Release	1D 	102064 "A" = 4 1/2	N/A
Lite Spoke Wheels	Quick Release	1C 	107268 A=4 1/4	N/A
Mag Wheels w/ Hub Locks	Quick Release	1E 	102065 "A" = 4 3/4	N/A
	Quad Quick Release	1F 	116390 A=4 3/4	N/A

Quick Release Measuring Guide

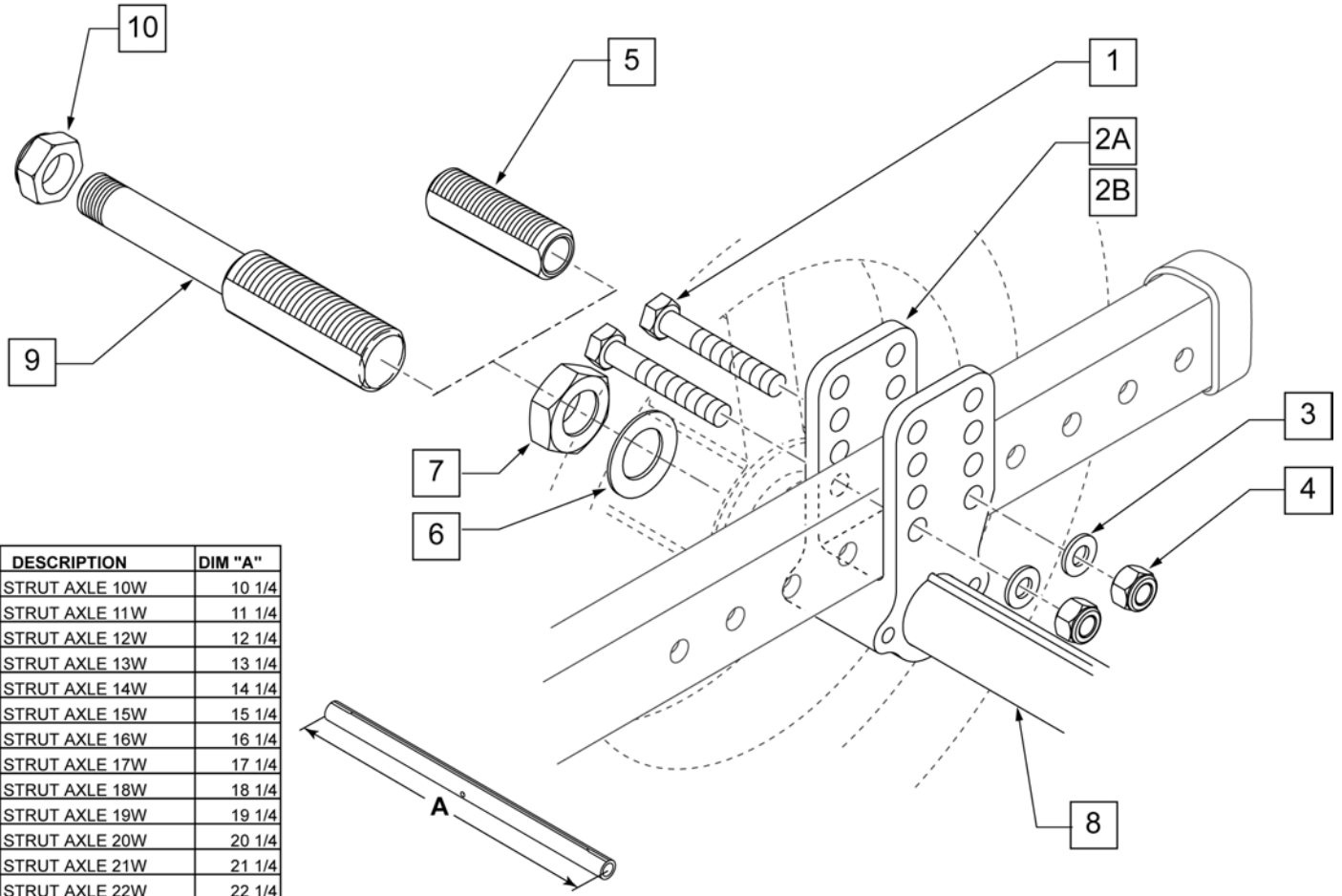


Pos.	Item Number	Description
1A	102063	QR AXLE MAG W/M-12 NUT
1B	920171	QR AXLE MAG W/QUAD NUT
1C	102064	QR AXLE M12 NUT CLR BIG BTTN
1D	107268	QR AXLE AND NUT SHORT BIG BUTTON
1E	102065	QR AXLE W/M12 NUT
1F	116390	QUAD RELEASE AXLE

NOTE: FITS QUICKIE IRIS CHAIRS W/ SERIAL NUMBER PREFIX (IRS ISE) ONLY.

NOTE: FITS ZIPPIE IRIS CHAIRS W/ SERIAL NUMBER PREFIX (ZRS ZRSE) ONLY.

NOTE: STANDARD AXLE PLATES AND AXLE PLATES USED WITH THE VENT/BATTERY TRAY ARE DIFFERENT, IF ADDING A VENT/BATTERY TRAY OR REMOVING IT THE AXLE PLATES MUST BE CHANGED. IN ADDITION ITEM 8 IS NOT USED WITH THE VENT/BATTERY TRAY.



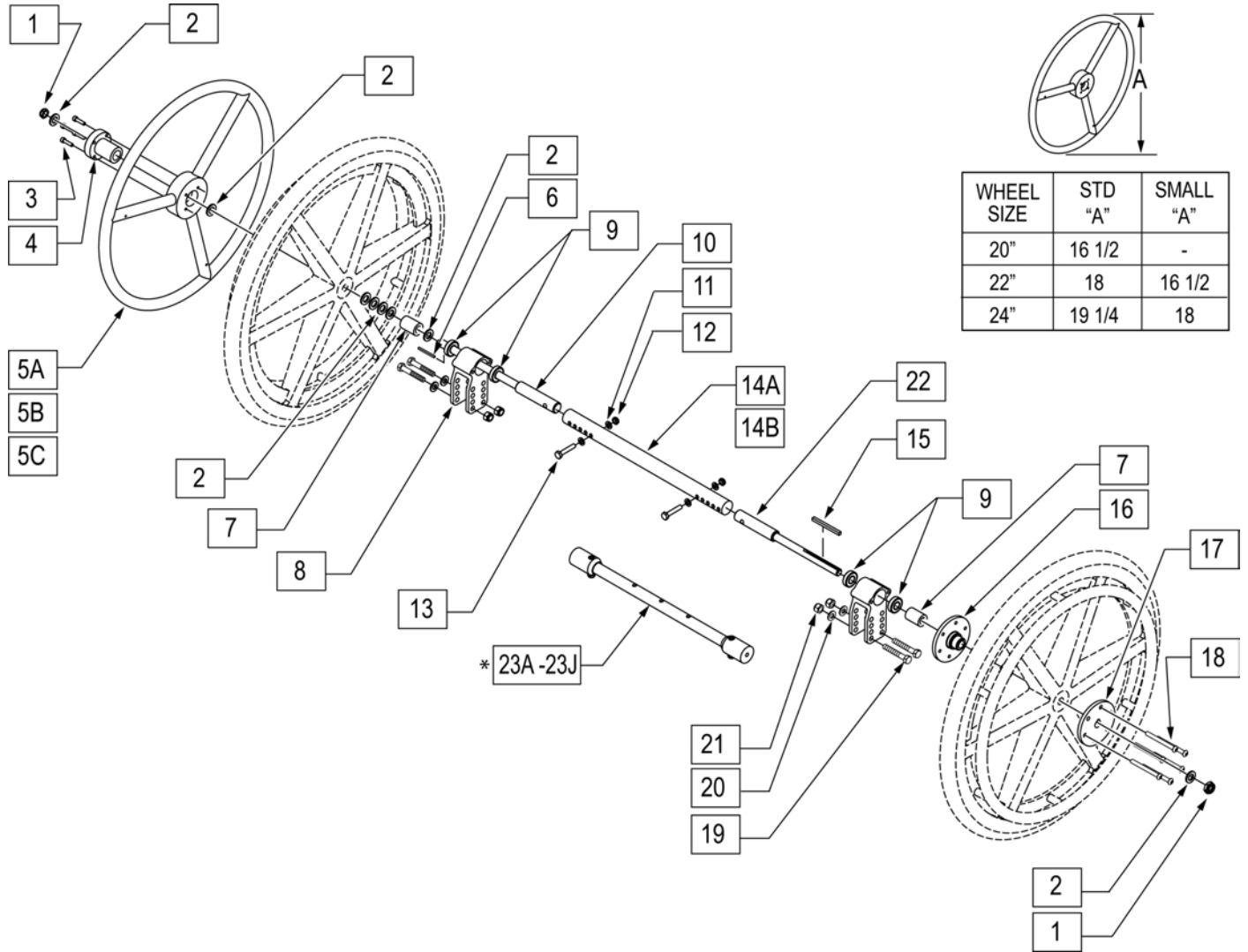
DESCRIPTION	DIM "A"
STRUT AXLE 10W	10 1/4
STRUT AXLE 11W	11 1/4
STRUT AXLE 12W	12 1/4
STRUT AXLE 13W	13 1/4
STRUT AXLE 14W	14 1/4
STRUT AXLE 15W	15 1/4
STRUT AXLE 16W	16 1/4
STRUT AXLE 17W	17 1/4
STRUT AXLE 18W	18 1/4
STRUT AXLE 19W	19 1/4
STRUT AXLE 20W	20 1/4
STRUT AXLE 21W	21 1/4
STRUT AXLE 22W	22 1/4

Pos.	Item Number	Description	Remarks
1	106985	HHCS 5/16 -24 x 2 ROHS	
2A	105837	AXLE PLATE STANDARD R	RIGHT
2A	105838	AXLE PLATE STANDARD L	LEFT
2B	105879	AXLE PLATE VBT	USED WITH VENT AND BATTERY TRAY ONLY
3	106946	WASHER FLAT AN 5/16 ROHS	
4	106938	NUT NYLOCK 5/16 -24 ROHS	
5	481065	AXLE SLEEVE S.S.	
6	116570	WASHER FLAT 3/4 X 1.25 BLK ZNC	
7	116569	NUT HEX 3/4-16 BLACK ZINC	
8	105836-010	STRUT AXLE 10"	FITS ZIPPIE IRIS ONLY
8	105836-011	STRUT AXLE 11"	FITS ZIPPIE IRIS ONLY

Pos.	Item Number	Description	Remarks
8	105836-012	STRUT AXLE 12"	FITS ZIPPIE IRIS ONLY
8	105836-013	STRUT AXLE 13"	FITS ZIPPIE IRIS ONLY
8	105836-001	STRUT AXLE 14"	
8	105836-002	STRUT AXLE 15"	
8	105836-003	STRUT AXLE 16"	
8	105836-004	STRUT AXLE 17"	
8	105836-005	STRUT AXLE 18"	
8	105836-006	STRUT AXLE 19"	FITS QUICKIE IRIS ONLY
8	105836-007	STRUT AXLE 20"	FITS QUICKIE IRIS ONLY
8	105836-008	STRUT AXLE 21"	FITS QUICKIE IRIS ONLY
8	105836-009	STRUT AXLE 22"	FITS QUICKIE IRIS ONLY
9	105857	AXLE THREADED	
10	106940	NUT NYLOCK THIN 1/2 -20 ROHS	
1,2A,3,4,9,10	108177	AXLE BRKT THREADED ASSM R	RIGHT-THREADED AXLE
1,2A,3,4,9,10	108178	AXLE BRKT THREADED ASSM L	LEFT-THREADED AXLE
1,2A -7	108175	AXLE BRKT QR ASSM R	RIGHT-QUICK RELEASE AXLE
1,2A -7	108176	AXLE BRKT QR ASSM L	LEFT-QUICK RELEASE AXLE
5-7	108616	QR AXLE SLEEVE KIT	
6,7,9,10	108617	THREADED AXLE SLEEVE KIT	
1,2B -4,9,10	108292	AXLE PLATE VBT ASSM THREADED	THREADED AXLE PLATE FOR VENT/BATTERY TRAY ONLY.
1,2B-7	108291	AXLE PLATE VBT ASSM QR	QUICK RELEASE AXLE PLATE FOR VENT/BATTERY TRAY ONLY.

NOTE: FITS CHAIRS W/ PREFIX IRS OR IRSE ONLY.

NOTE: REFER TO REAR WHEEL SECTION FOR REPLACEMENT MAG WHEELS.



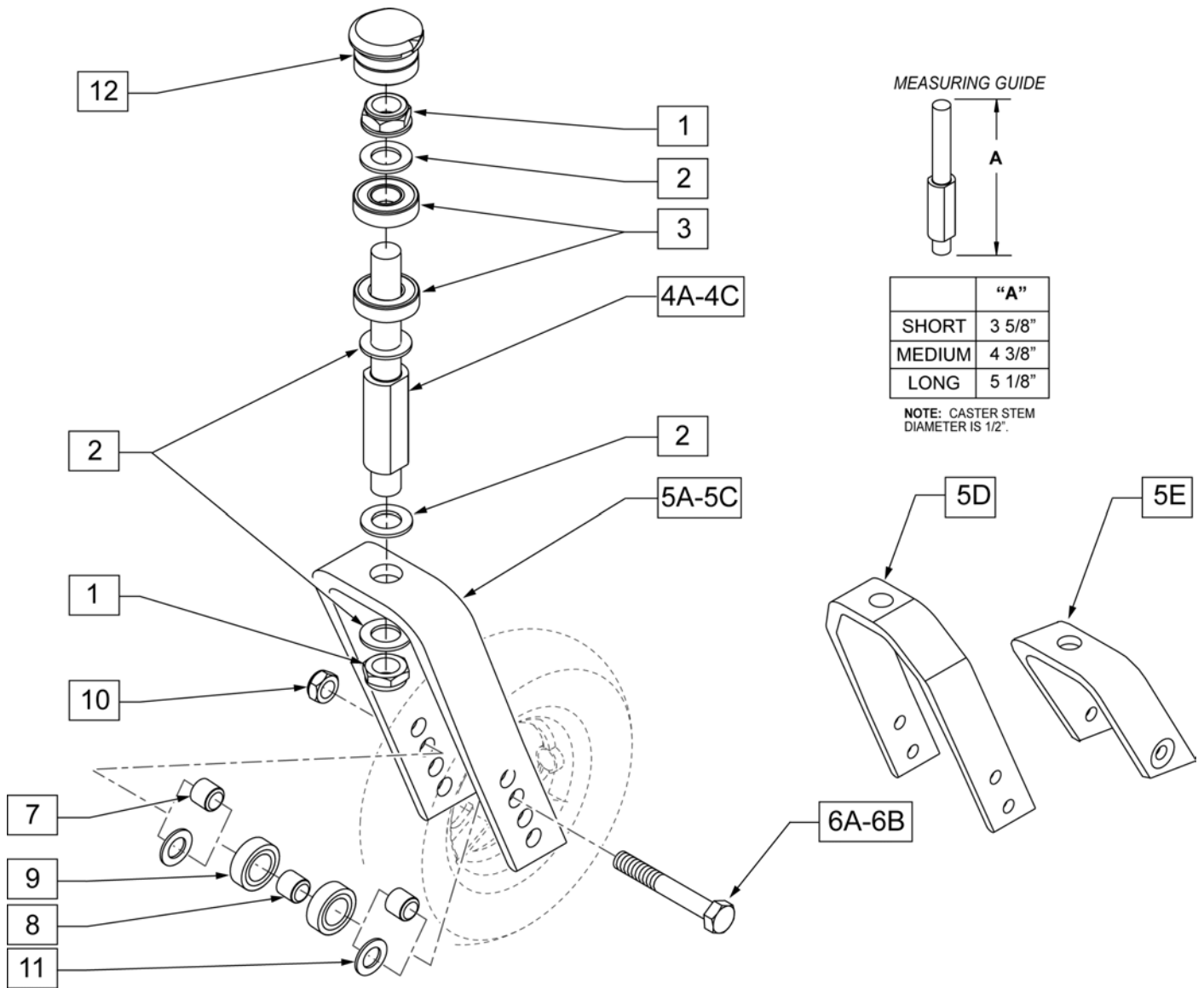
Pos.	Item Number	Description	Pos.	Item Number	Description
1	106940	NUT NYLOCK THIN 1/2 -20 ROHS	9	349500	1 1/8 x 1/2 BEARING
2	106949	WASHER FLAT AN 1/2 ROHS	8,9	108576	AXLE PLATE ASSM 1AD
3	106956	SHCS 10 -32 x 3/4 ROHS	10	050534-002	SHAFT DRIVE WHEEL 1AD
4	106691	HAND RING HUB	11	106943	WASHER FLAT AN 1/4 ROHS
5A	529800	1AD HANDRIM ONLY 22" STD/24" SM	12	106935	NUT NYLOCK THIN 1/4 -28 ROHS
5B	529801	1AD HANDRIM ONLY 20" STD/22" SM	13	106971	HHCS 1/4 -28 x 1 3/8 ROHS
5C	529802	1AD HANDRIM ONLY 24" STD	14A	105856-001	TUBE STRUT 1 AD 14 -18"
6	341274	3/16 SQ x 1 1/2 KEY STL	14B	105856-002	TUBE STRUT 1 AD 18 -22"
7	483320	WHEEL SPACER CGTS	15	341277	3/16" SQ x 2 3/8 KEY STL
8	105855	AXLE PLATE 1 AD	16	500631	WHEEL HUB 1 ARM DRIVE W/ TAP

Pos.	Item Number	Description	Pos.	Item Number	Description
17	500630	1 AD WHEEL HUB W/O TAP	1-5A, 6 -23G	115984	1AD RTRO 22/24 KIT IRIS 20W
18	106967	BHCS 1/4 -28 x 2 1/2 SHLDR ROHS	1-5A, 6 -23H	115985	1AD RTRO 22/24 KIT IRIS 21W
19	106985	HHCS 5/16 -24 x 2 ROHS	1-5A, 6 -23J	115986	1AD RTRO 22/24 KIT IRIS 22W
20	106946	WASHER FLAT AN 5/16 ROHS	1-5B, 6 -23A	115987	1AD RTRO 20/22 KIT IRIS 14W
21	106938	NUT NYLOCK 5/16 -24 ROHS	1-5B, 6 -23B	115988	1AD RTRO 20/22 KIT IRIS 15W
22	050534-001	SHAFT DRIVE HANDRIM 1AD	1-5B, 6 -23C	115989	1AD RTRO 20/22 KIT IRIS 16W
23A	115976	VENT STRUT ASSM 14" W	1-5B, 6 -23D	115990	1AD RTRO 20/22 KIT IRIS 17W
23B	115977	VENT STRUT ASSM 15" W	1-5B, 6 -23E	115991	1AD RTRO 20/22 KIT IRIS 18W
23C	108579	VENT STRUT ASSM 16" W	1-5B, 6 -23F	115992	1AD RTRO 20/22 KIT IRIS 19W
23D	108580	VENT STRUT ASSM 17" W	1-5B, 6 -23G	115993	1AD RTRO 20/22 KIT IRIS 20W
23E	108581	VENT STRUT ASSM 18" W	1-5B, 6 -23H	115994	1AD RTRO 20/22 KIT IRIS 21W
23F	108582	VENT STRUT ASSM 19" W	1-5B, 6 -23J	115995	1AD RTRO 20/22 KIT IRIS 22W
23G	108583	VENT STRUT ASSM 20" W	1-5C, 6 -23A	115996	1AD RTRO 24 KIT IRIS 14W
23H	108584	VENT STRUT ASSM 21" W	1-5C, 6 -23B	115997	1AD RTRO 24 KIT IRIS 15W
23J	108585	VENT STRUT ASSM 22" W	1-5C, 6 -23C	115998	1AD RTRO 24 KIT IRIS 16W
1-5A, 6 -23A	115978	1AD RTRO 22/24 KIT IRIS 14W	1-5C, 6 -23D	115999	1AD RTRO 24 KIT IRIS 17W
1-5A, 6 -23B	115979	1AD RTRO 22/24 KIT IRIS 15W	1-5C, 6 -23E	116000	1AD RTRO 24 KIT IRIS 18W
1-5A, 6 -23C	115980	1AD RTRO 22/24 KIT IRIS 16W	1-5C, 6 -23F	116001	1AD RTRO 24 KIT IRIS 19W
1-5A, 6 -23D	115981	1AD RTRO 22/24 KIT IRIS 17W	1-5C, 6 -23G	116002	1AD RTRO 24 KIT IRIS 20W
1-5A, 6 -23E	115982	1AD RTRO 22/24 KIT IRIS 18W	1-5C, 6 -23H	116003	1AD RTRO 24 KIT IRIS 21W
1-5A, 6 -23F	115983	1AD RTRO 22/24 KIT IRIS 19W	1-5C, 6 -23J	116004	1AD RTRO 24 KIT IRIS 22W

NOTE: FITS QUICKIE IRIS CHAIRS W/SERIAL NUMBER PREFIXES IRS or IRSE ONLY.

NOTE: FITS ZIPPIE IRIS CHAIRS W/ SERIAL NUMBER PREFIXS ZRS or ZRSE ONLY.

NOTE: FITS LXI CHAIRS W/ TRANSIT OPTION.



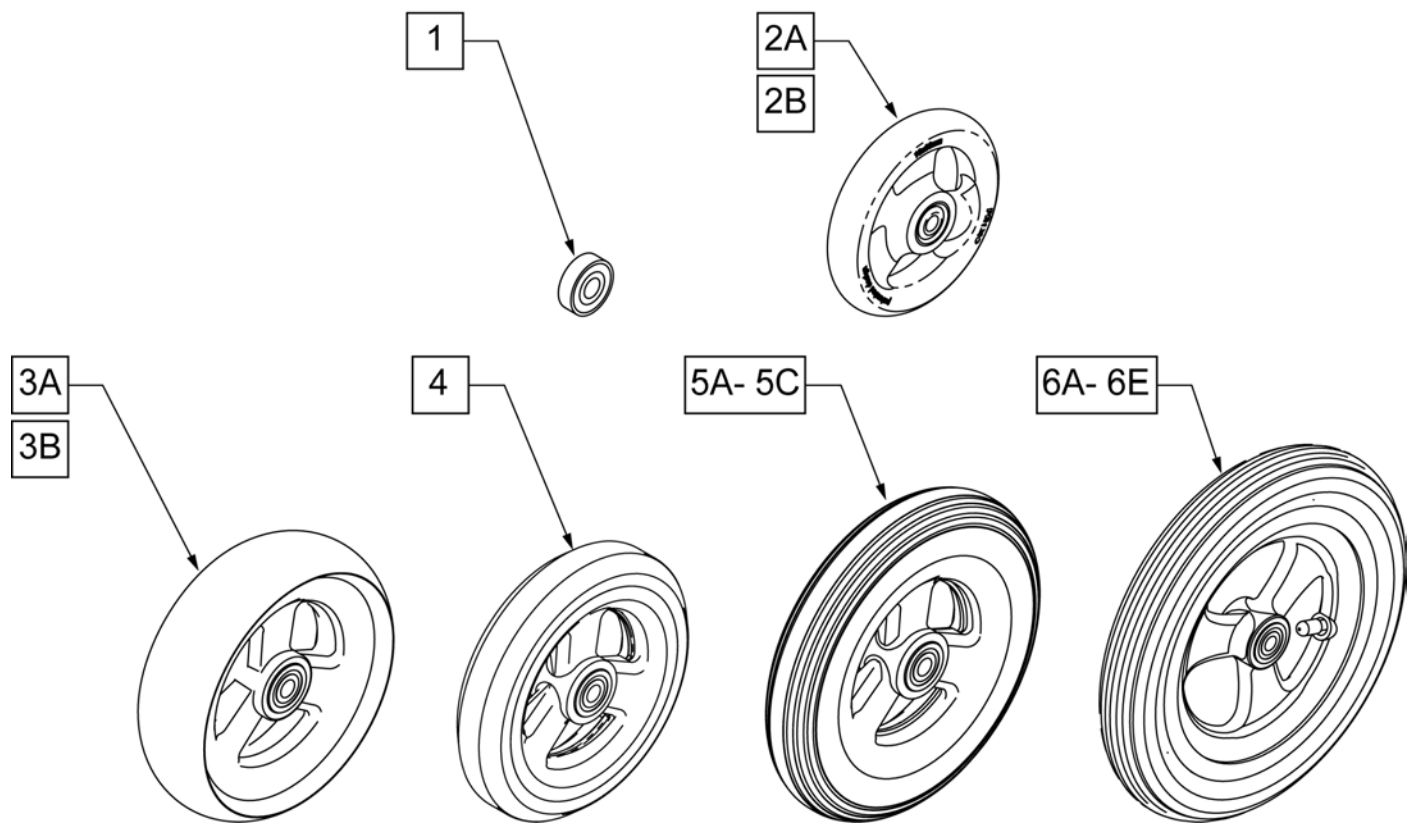
Pos.	Item Number	Description	Remarks
1	106940	NUT NYLOCK THIN 1/2 -20 ROHS	
2	106949	WASHER FLAT AN 1/2 ROHS	
3	349500	1 1/8 x 1/2 BEARING	
4A	481820	CASTER STEM SHORT CGTS	STD Caster Stem

Pos.	Item Number	Description	Remarks
4B	481821	CASTER STEM MEDIUM CGTS	+3/4" Caster Stem
4C	481822	CASTER STEM LONG CGTS	+1 1/2 Caster Stem
5A	105839-001	FORK CASTER 5 1/4"	WORKS W/ 4",5",6", & 8" CASTERS
5B	105839-002	FORK CASTER 6"	WORKS W/ 4",5",6", & 8" CASTERS
5C	105839-003	FORK CASTER 7"	WORKS W/ 4",5",6", & 8" CASTERS
5D	550730	8" FORK P100 ONLY	WORKS W/ 8" X 2" CASTERS ONLY
5E	106810	FORK CASTER 3"	
6A	106987	HHCS 5/16 -24 x 2 1/2 ROHS	
6B	106988	HHCS 5/16 -24 x 3 1/4 ROHS	Used w/ wide fork only
7	481113	SPACER 5/16 x 0.380	
8	481013	BEARING SPACER	INCLUDED W/ CASTER
9	349502	7/8 x 5/16 BEARING	INCLUDED W/ CASTER
10	106939	NUT NYLOCK THIN 5/16 -24 ROHS	
11	106946	WASHER FLAT AN 5/16 ROHS	
12	116255	CASTER CAP WITH O-RING IRIS	
1,2,4A	920592	CASTER STEM SHORT W/HDWR	STD Caster Stem
1,2,4B	920593	CASTER STEM MEDIUM W/HDWR	+3/4" Caster Stem
1,2,4C	920594	CASTER STEM LONG W/HDWR	+1 1/2 Caster Stem
1,2,4A,5A,6A,7,10	108163	FORK CASTER 5 1/4" SHORT ASSM	STD Caster Stem - WORKS W/ 4",5",6", & 8" CASTERS
1,2,4B,5A,6A,7,10	108164	FORK CASTER 5 1/4" MED ASSM	+3/4" Caster Stem - WORKS W/ 4",5",6", & 8" CASTERS
1,2,4C,5A,6A,7,10	108165	FORK CASTER 5 1/4" LONG ASSM	+1 1/2 Caster Stem - WORKS W/ 4",5",6", & 8" CASTERS
1,2,4A,5B,6A,7,10	108166	FORK CASTER 6" SHORT ASSM	STD Caster Stem - WORKS W/ 4",5",6", & 8" CASTERS
1,2,4B,5B,6A,7,10	108167	FORK CASTER 6" MED ASSM	+3/4" Caster Stem - WORKS W/ 4",5",6", & 8" CASTERS
1,2,4C,5B,6A,7,10	108168	FORK CASTER 6" LONG ASSM	+1 1/2 Caster Stem - WORKS W/ 4",5",6", & 8" CASTERS
1,2,4A,5C,6A,7,10	108169	FORK CASTER 7" SHORT ASSM	STD Caster Stem - WORKS W/ 4",5",6", & 8" CASTERS
1,2,4B,5C,6A,7,10	108170	FORK CASTER 7" MED ASSM	+3/4" Caster Stem - WORKS W/ 4",5",6", & 8" CASTERS
1,2,4C,5C,6A,7,10	108171	FORK CASTER 7" LONG ASSM	+1 1/2 Caster Stem - WORKS W/ 4",5",6", & 8" CASTERS
1,2,4A,5E,6A,7,10	108160	FORK CASTER 3" SHT ASSM	STD Caster Stem -WORKS W/ 4" CASTERS
1,2,4A,5D,6B,10,11	108172	FORK CASTER WD SHORT ASSM (8 x 2)	STD Caster Stem - FITS 8" X 2" CASTERS ONLY
1,2,4B,5D,6B,10,11	108173	FORK CASTER WD MED ASSM (8 x 2)	+3/4" Caster Stem - FITS 8" X 2" CASTERS ONLY
1,2,4C,5D,6B,10,11	108174	FORK CASTER WD LONG ASSM (8 x 2)	+1 1/2 Caster Stem - FITS 8" X 2" CASTERS ONLY

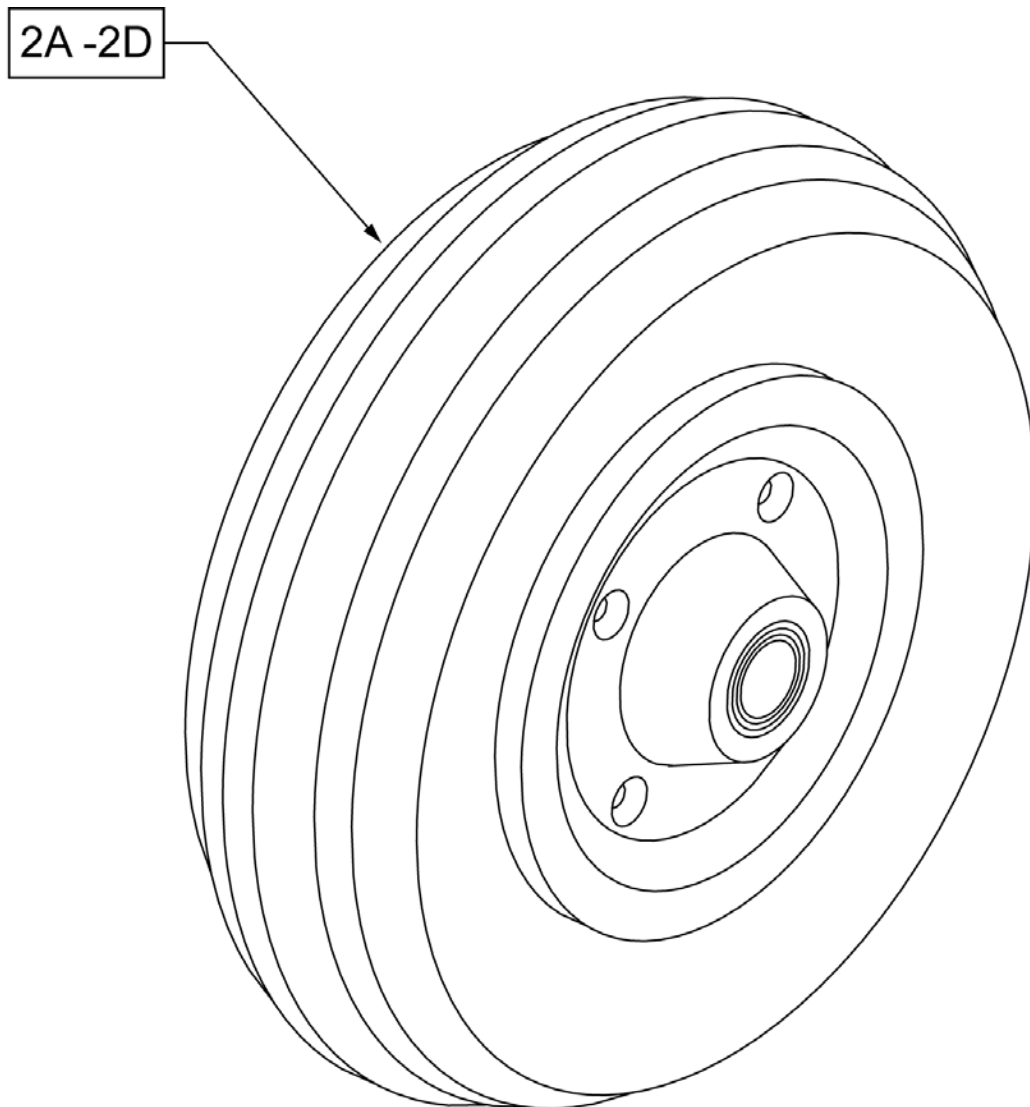
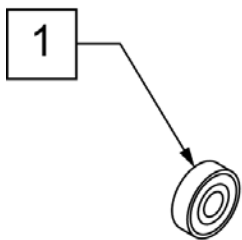
NOTE: 7" and 8" Casters are not available on the Q2 or the GT.

Note: If using 6" casters on Q7, Anti Flutter should be installed. See Standard Multi Position Fork page.

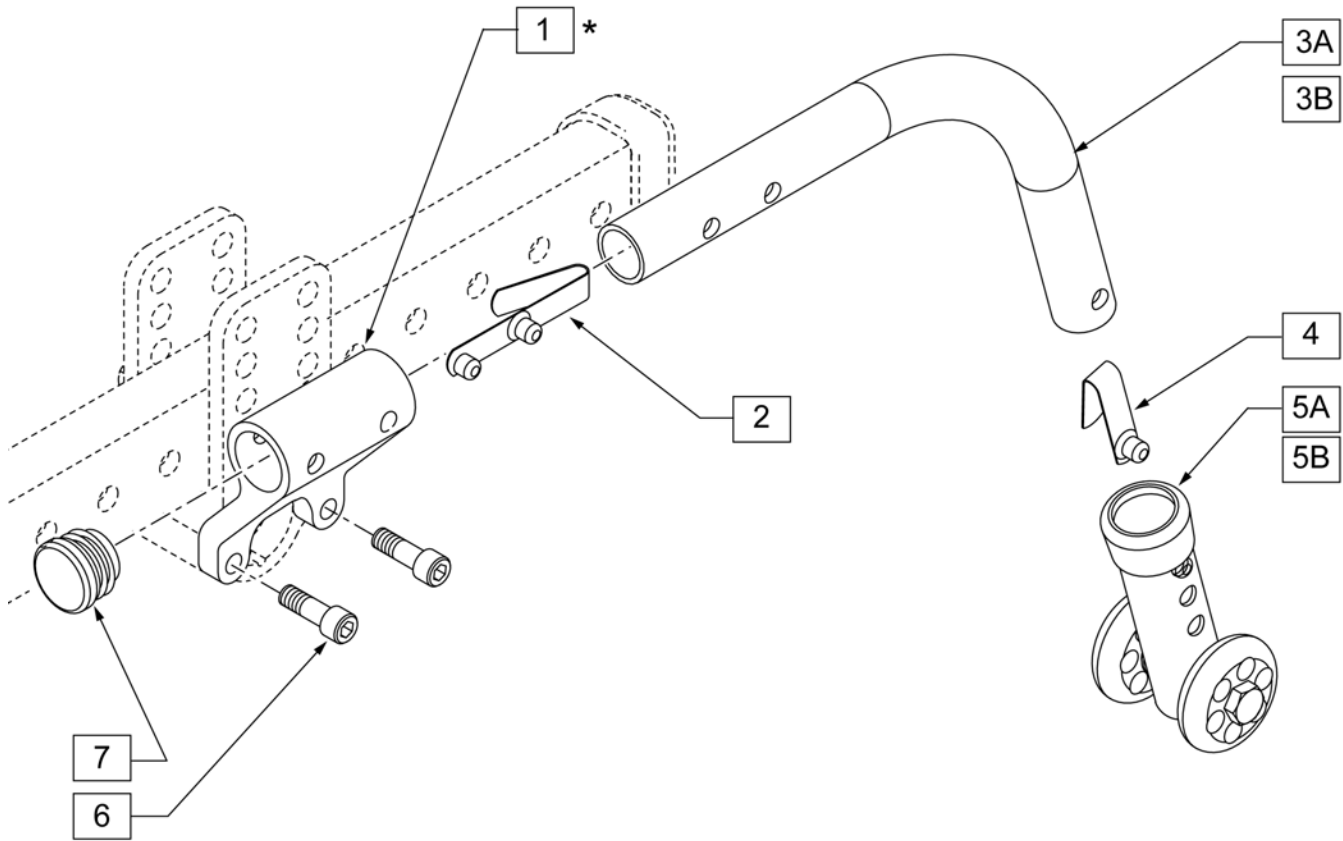
Note: Casters wider than 1" will not fit on Quickie Ti Titanium forks.



Pos.	Item Number	Description	Remarks
1	349502	7/8"x 5/16" BEARING	
2A	101957	4"X1-1/4 POLY 3 SPOKE CSTR	4" X 1.25 SEMI-PNEUMATIC
2B	101098	CASTER 4" PLASTIC/POLY W/BRG	4" LOW PROFILE POLY
3A	101259	5"X1-1/2" POLY 3 SPOKE CSTR	5" x 1.5" SEMI-PNEUMATIC
3B	101255	6"X1-1/2" POLY 3 SPOKE CSTR	6" x 1.5" SEMI-PNEUMATIC
4	101254	5" LOW POLY 3 SPOKE CASTER	5" LOW PROFILE POLY
5A	101256	6" SEMI PNEU 3 SPOKE CASTER	6" POLY
5B	101257	6" PNEUMATIC 3 SPOKE CASTER	6" PNEUMATIC
5C	383245	6" PNEUMATIC TIRE & TUBE	
6A	400212	CASTER 8" PNEU 3 SPK ASSM	8" PNEUMATIC
6B	400213	CASTER 8" POLY 3 SPK ASSM	8" POLY
6C	400214	CASTER 8" LOW POLY 3 SPK ASSM	7" x LOW PROFILE POLY
6D	383255	8" PNEUMATIC TIRE & TUBE	
6E	400215	CASTER 8" WIDE POLY 3 SPK ASSM	8" x 1.5" LOW POLY



Pos.	Item Number	Description	Remarks
1	349502	7/8"x 5/16" BEARING	
2A	400700	8" X 2" CMPST W/PNEU & BEARING	8" x 2" PNEUMATIC
2B	400702	8" X 2" CMPST W/PNEU INSRT&BRG	8" x 2" PNEUMATIC W/ INSERT
2C	384700	TIRE PNEUMATIC 8" x 2"	
2D	384730	INNER TUBE CASTER 8" x 2"	



Pos.	Item Number	Description	Remarks
1	105847	RECEIVER ANTI-TIP	
2	301109	SNAP BUTTON DUAL ONE SIDE	
4	301100	SNAP BUTTON 1/4" SINGLE	
5A	881512	ANTI-TIP SLEEVE W/ WHEELS BLK 4 H	FOR USE WITH 12" REAR WHEELS
5B	050247-002	ANTI-TIP SLEEVE W/ WHEELS BLK 6 P	FOR USE WITH 16", 20", 22", & 24" REAR WHEELS
6	106974	SHCS 1/4 -28 x 3/4 PL ROHS	
7	560735	.875 ROUND TUBE PLUG	
2,3A,4	882964	ANTI-TIP TB SMALL R W/ SNAP BTN	RIGHT-FOR USE W/ 12" & 16" REAR WHEELS
2,3A,4	882965	ANTI-TIP TB SMALL L W/ SNAP BTN	LEFT- FOR USE W/ 12" & 16" REAR WHEELS
2,3B,4	050248-005	ANTI-TIP TB REGULAR R B W/ SNAP BTN	RIGHT-FOR USE W/ 20 -24" REAR WHEELS
2,3B,4	050248-006	ANTI-TIP TB REGULAR L B W/ SNAP BTN	LEFT- FOR USE W/ 20 -24" REAR WHEELS
1,6,7	108159	ANTI-TIP RECEIVER KIT	
2,3A,4,5A	882906	ANTI-TIP ASSM SMALL R BLK	RIGHT-FOR USE W/ 12" REAR WHEELS
2,3A,4,5A	882907	ANTI-TIP ASSM SMALL L BLK	LEFT- FOR USE W/ 12" REAR WHEELS
2,3A,4,5B	108282	ANTI-TIP ASSM REGULAR R BLK	RIGHT-FOR USE W/ 16" REAR WHEELS
2,3A,4,5B	108283	ANTI-TIP ASSM REGULAR L BLK	LEFT- FOR USE W/ 16" REAR WHEELS
2,3B,4,5B	050172-003	ANTI-TIP REGULAR ASSM R	RIGHT-FOR USE W/ 20", 22" & 24" REAR WHEELS
2,3B,4,5B	050173-003	ANTI-TIP REGULAR ASSM L	LEFT-FOR USE W/ 20", 22" & 24" REAR WHEELS

[10/2009]

NOTE: When the chair is equipped with 12" or 16 inch Rear Wheels the orientation of the Anti-tip Reciever (Item 1) is up, as shown. When equipped with 20", 22" or 24" Rear Wheels the orientation is down.

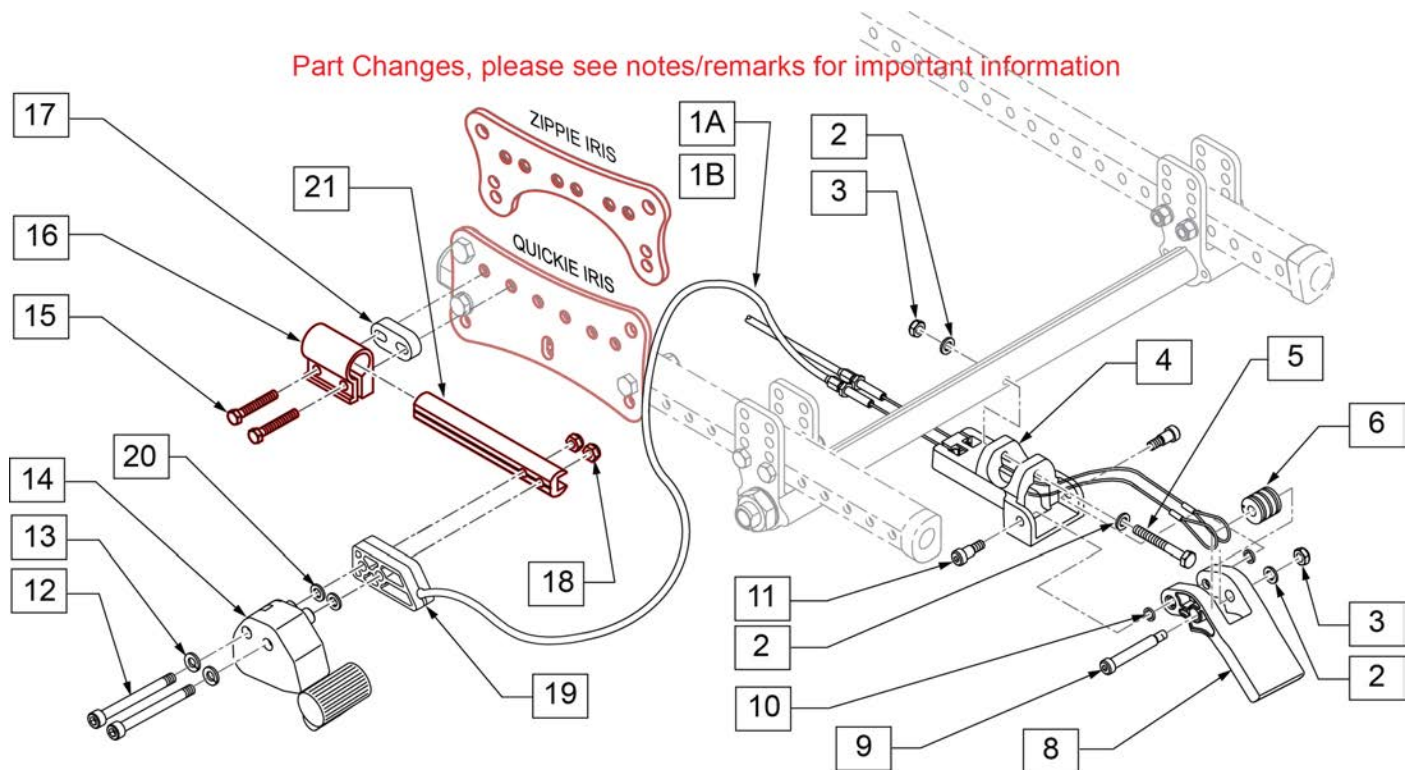
NOTE: FITS QUICKIE IRIS CHAIRS W/ SERIAL NUMBERS PREFIX IRS OR ISE ONLY.

NOTE: FITS ZIPPIE IRIS CHAIRS W/ SERIAL NUMBERS PREFIX ZRS OR ZRSE ONLY.

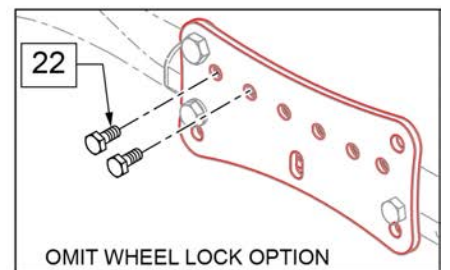
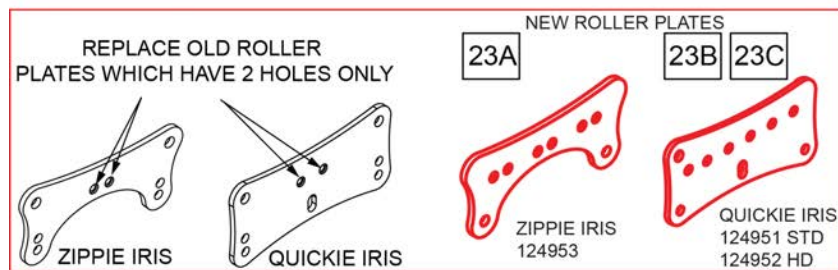
NOTE: FITS ZIPPIE IRIS CHAIRS W/ SERIAL NUMBER PREFIX (ZRS ZRSE) ONLY. FITS QUICKIE IRIS CHAIRS W/ SERIAL NUMBER PREFIX (IRS ISE) ONLY.

NOTE: For Zippie IRIS chairs built prior to s/n # ZRS-006475 & ZRSE-003115 and Quickie IRIS chairs prior to s/n# IRS-020876 & IRSE 028386 replace 15-18 & 21 plus new Outer Roller Plate.

Note: see information panel for positioning instruction guide.



Part Changes, please see notes/remarks for important information



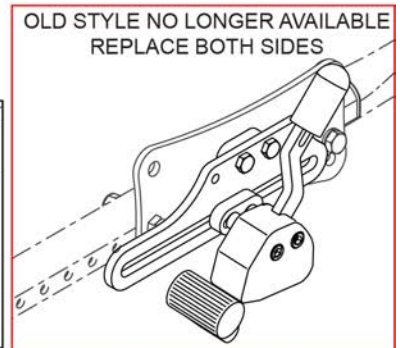
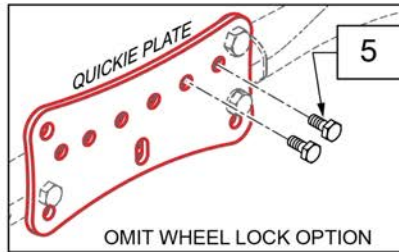
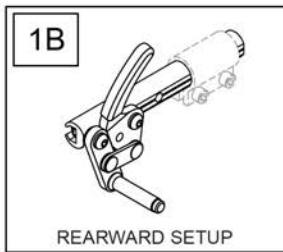
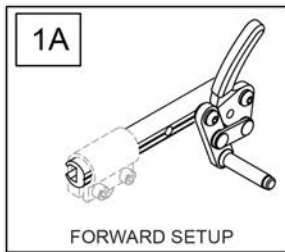
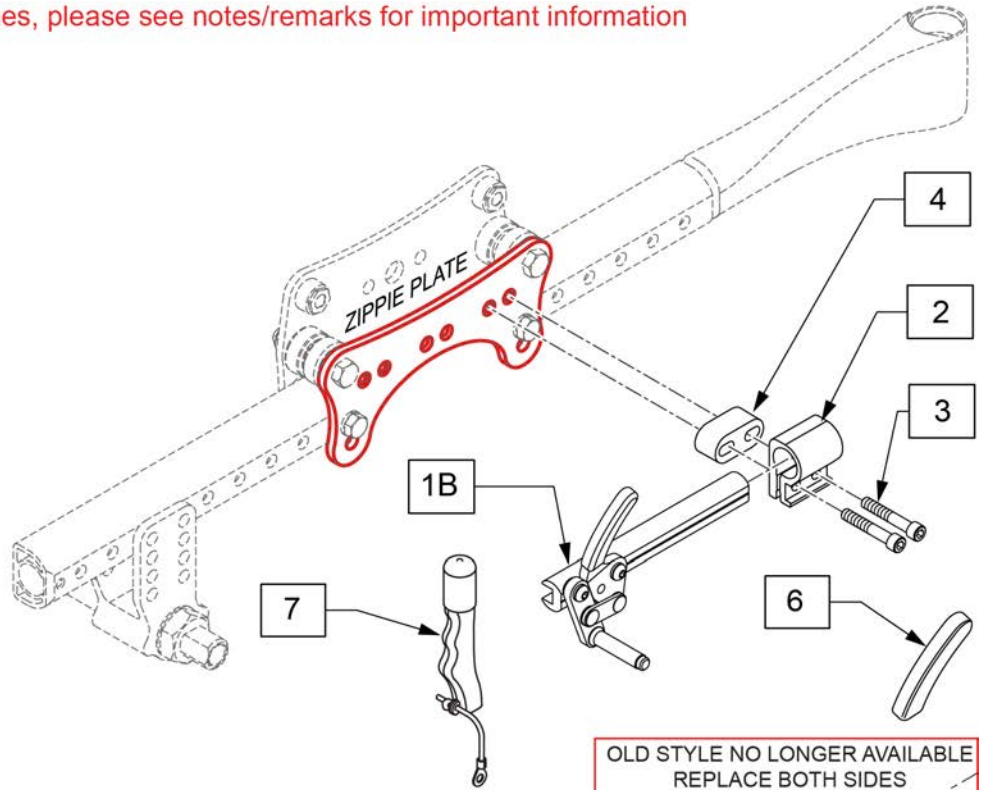
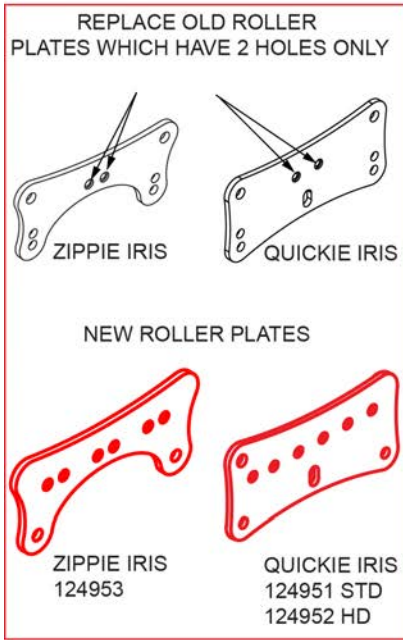
Pos.	Item Number	Description	Remarks
1A	342016	ATTENDANT WHEEL LOCK CABLE ASSM SHORT	SHORT (12 & 16" REAR WHEELS)
1B	342017	ATTENDANT WHEEL LOCK CABLE ASSM LONG	LONG (20 -24" REAR WHEELS)
2	106945	WASHER FLAT SAE 1/4 ROHS	
3	106934	NUT NYLOCK 1/4-28 ROHS	

Pos.	Item Number	Description	Remarks
4	123517	ATTENDT WHL LCK MT BRKT	
5	107351	HHCS 1/4-28 X 2 1/4 ROHS	
6	506185	BEARING ATTENDANT WHEEL LOCK CABLE	
8	506182	ATTENDANT WHEEL LOCK ACTUATION PEDAL	
9	281041	SHOULDER SCREW .312 DIA x 1.75 LONG	
10	481353	SPACER, BEARING	
11	281048	SHOULDER SCREW .312 DIA x .375 LONG	
12	103190-013	SHCS M6 x 1 x 60 PART NP	
13	262133	WASHER LOCK M6	
14	119952	REMOTE LOCK RIGHT SIDE US	RIGHT
14	119953	REMOTE LOCK LEFT SIDE US	LEFT
15	106976	SHCS 1/4-28 X 1-1/2	
16	124954	WHEEL LOCK CLAMP	
17	126237	BLOCK MOUNT WHEEL LOCK 10MM	
18	104381	NUT HEX NYLOCK M6 X 1.0	
19	506184	SPACER ATTENDANT WHEEL LOCK	
20	107383	WASHER FLAT M6 ROHS	
21	126230	SLIDE ADJ SHRT FOOT LOCK	
1A,2-21	108138	ATTENDANT WHEEL LOCK ASSM SHORT MAG	
1B,2-21	108139	ATTENDANT WHEEL LOCK ASSM LONG MAG	
1B,2-21	108140	ATTENDANT WHEEL LOCK ASSM LONG SPK	
1A,2-21	126252	ATTENDANT WHEEL LOCK REV SHORT	
1B,2-21	126253	ATTENDANT WHEEL LOCK REV LONG	
22	221102	1/4-28 X 3/4 HEX HEAD C/S BLK W/PTCH	
15,16	126201	WHEEL LOCK CLAMP W/HARDWARE	
23A	124953	PLATE ROLLER OUTER PED	New Zippie Roller Plate
23B	124951	PLATE ROLLER OUTER STD	New Quickie Roller Plate
23C	124952	PLATE ROLLER OUTER HD	New Quickie Roller Plate

NOTE: For Zippie IRIS chairs built prior to s/n # ZRS-006475 & ZRSE-003115 and Quickie IRIS chairs prior to s/n# IRS-020876 & IRSE 028386 replace with complete assembly & new Outer Roller Plate.

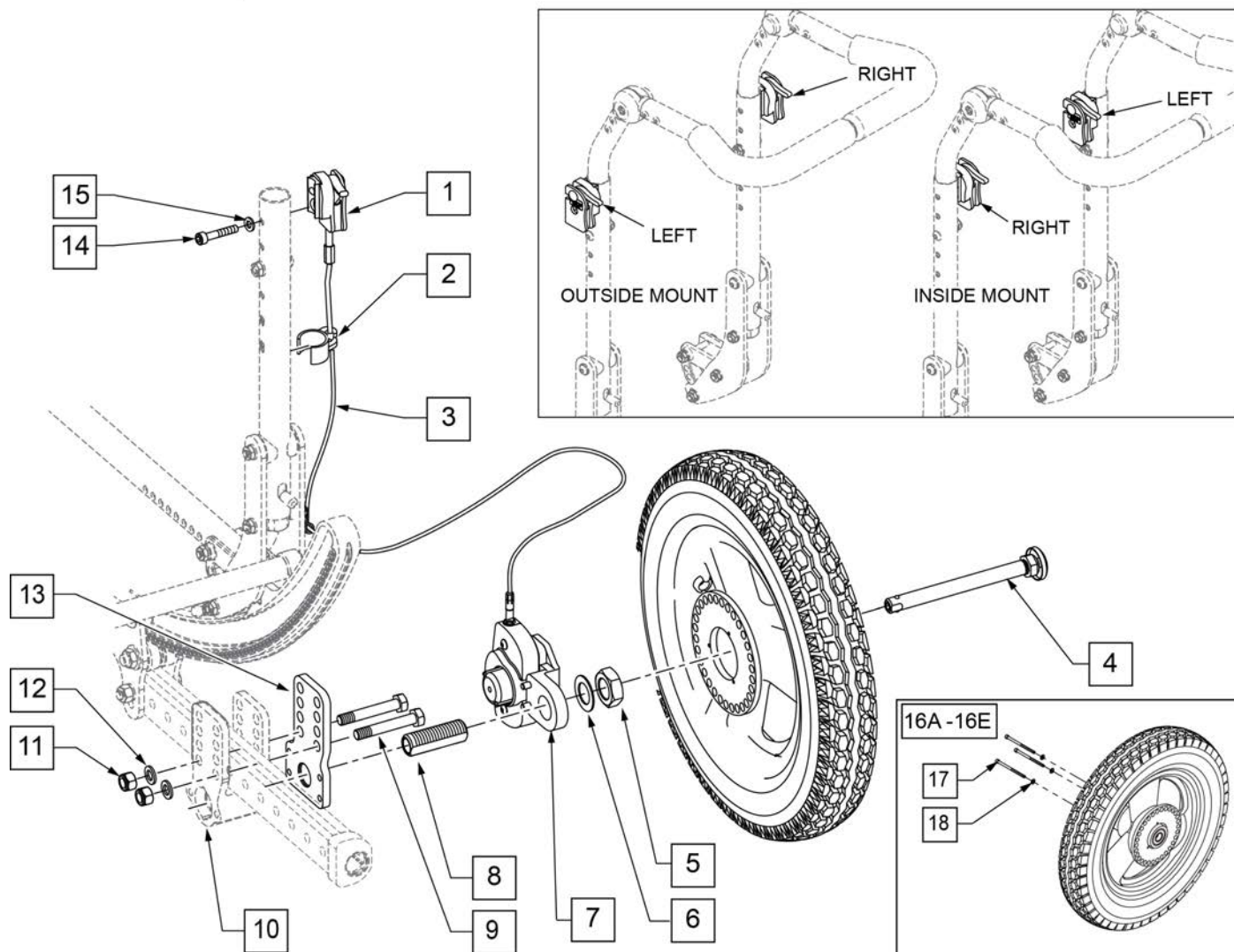
Note: see information panel for positioning instruction guide.

Part Changes, please see notes/remarks for important information



Pos.	Item Number	Description	Remarks
1A	104216-005	WHEEL LOCK PUSH R FWD LNG	
1A	104216-006	WHEEL LOCK PUSH L FWD LNG	
1B	104216-007	WHEEL LOCK PUSH R REV LNG	
1B	104216-008	WHEEL LOCK PUSH L REV LNG	
1C	104216-003	WHEEL LOCK PUSH R REV SHT	
1C	104216-004	WHEEL LOCK PUSH L REV SHT	
2	124954	WHEEL LOCK CLAMP	
3	106976	SHCS 1/4-28 X 1-1/2	
4	126237	BLOCK MOUNT WHEEL LOCK 10MM	

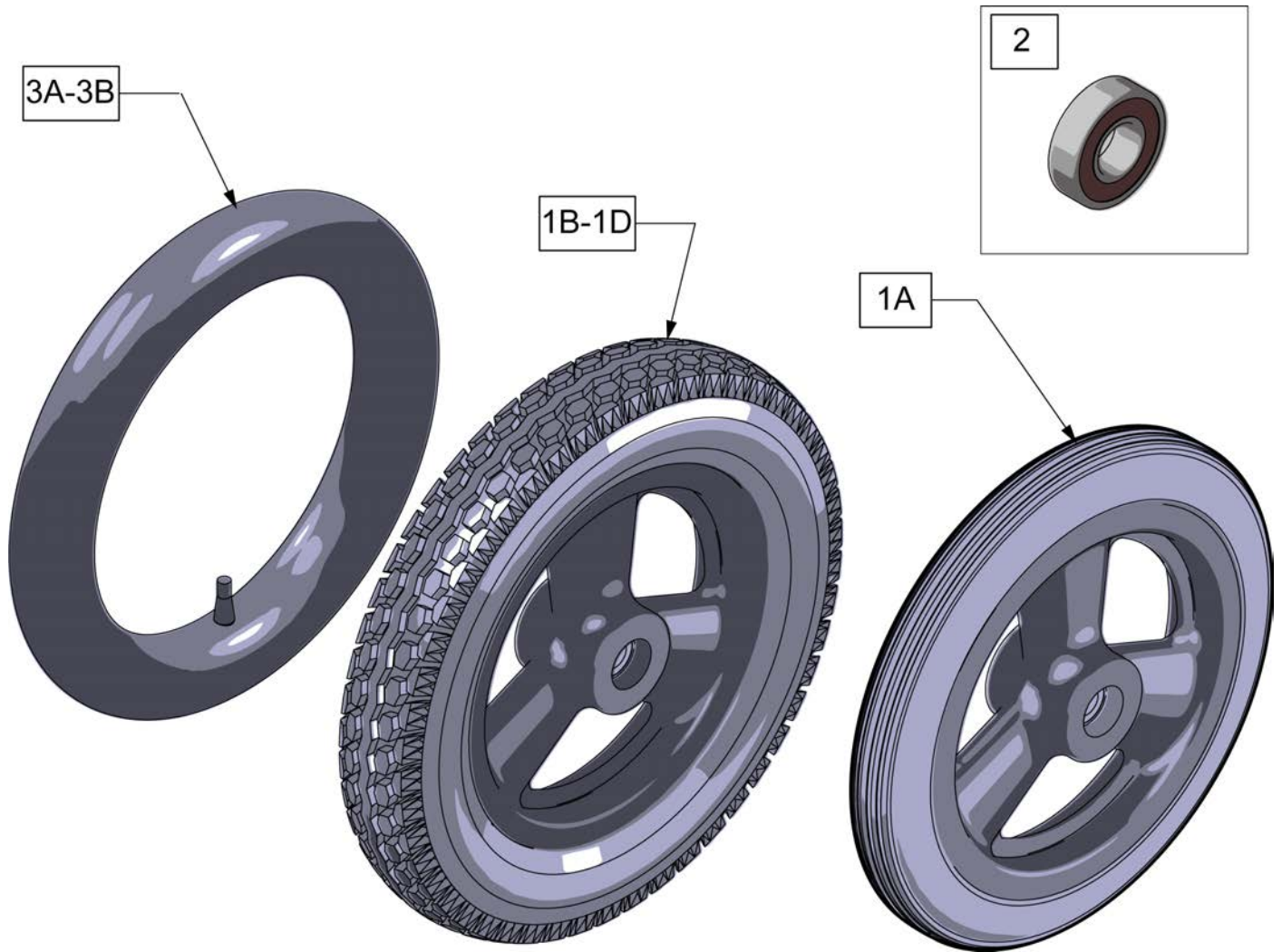
Pos.	Item Number	Description	Remarks
5	221102	1/4-28 X 3/4 HEX HEAD C/S BLK W/PTCH	
6	104141	COVER CURVED WHEEL LOCK VINYL	
7	118068	WHEEL LOCK EXTENSION ASSY	
2,3A,3B	126201	WHEEL LOCK CLAMP W/HARDWARE	Each
1A-4	108136	WHEEL LOCK KIT MAG R FWD	
1A-4	108137	WHEEL LOCK KIT MAG L FWD	
1A-4	108586	WHEEL LOCK KIT SPK R FWD	
1A-4	108587	WHEEL LOCK KIT SPK L FWD	
1B-4	126202	WHEEL LOCK KIT MAG R REV	
1B-4	126203	WHEEL LOCK KIT MAG L REV	
1B-4	126204	WHEEL LOCK KIT SPK R REV	
1B-4	126205	WHEEL LOCK KIT SPK L REV	
1C-4	126250	WHEEL LOCK KIT R REV SHRT	
1C-4	126251	WHEEL LOCK KIT L REV SHRT	
8A	124953	PLATE ROLLER OUTER PED	New Zippie Roller Plate
8B	124951	PLATE ROLLER OUTER STD	New Quickie Roller Plate
8C	124952	PLATE ROLLER OUTER HD	New Quickie Roller Plate



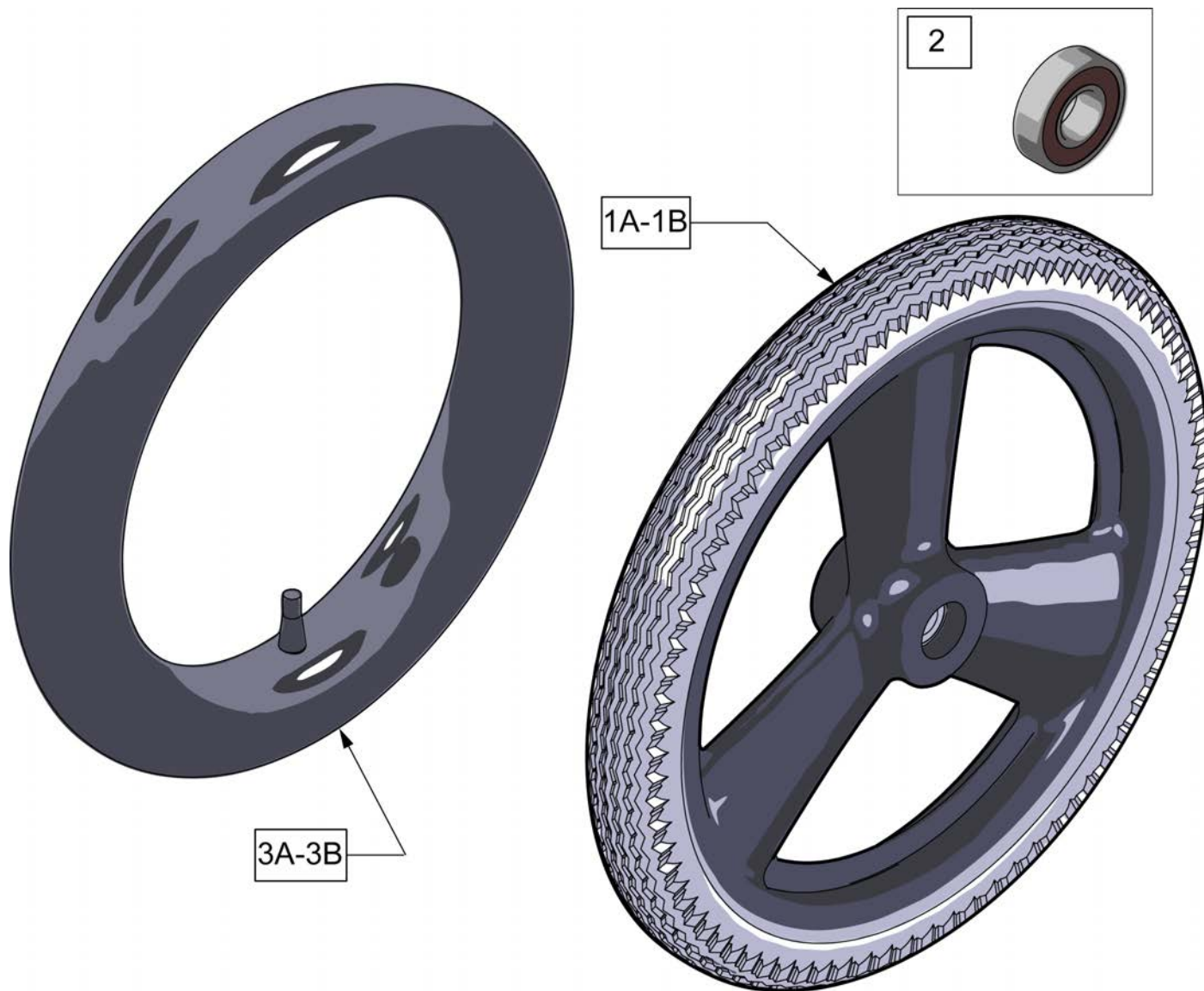
Pos.	Item Number	Description	Remarks
1	112426	HUB LOCK LEVER ASSM R	DOES NOT INCLUDE CABLE
1	112427	HUB LOCK LEVER ASSM L	DOES NOT INCLUDE CABLE
2	108134	CABLE CLIP 1" PACK (10)	PACK OF 10
4	102065	QR ALXE W/ M12 NUT	
5	116569	NUT HEX 3/4-16 BLACK ZINC	
6	116570	WASHER FLAT 3/4 X 1.25 BLK ZNC	
8	106985	HHCS 5/16 -24 x 2 ROHS	
9	481065	AXLE SLEEVE SS	
10	105837	AXLE PLATE STD R RIGHT	
10	105838	AXLE PLATE STD L LEFT	
11	106938	NUT NYLOCK 5/16 -24 ROHS	
12	106946	WASHER FLAT AN 5/16 ROHS	
13	111851	PLATE ADAPTER HUB LOCK IRIS	
14	106976	SHCS 1/4 -28 x 1 1/2 ROHS	
15	106943	WASHER FLAT AN 1/4 ROHS	
16A	112226-001	WHEEL HUB LOCK 12" PNEU	
16B	112226-002	WHEEL HUB LOCK 12" AIRLESS	

Pos.	Item Number	Description	Remarks
16C	112226-003	WHEEL HUB LOCK 12" LOW POLY	
16D	112227-001	WHEEL HUB LOCK 16" PNEU	
16E	112227-002	WHEEL HUB LOCK 16" AIRLESS	
17	112231	SHCS6-32 X 2-1/4 ROHS	
18	112230	WASHER FLAT #6	
3,7	112813-004	LOCK ASSM HUB LOCK 'A' XL RH RIGHT	RIGHT -INCLUDES CABLE
3,7	112814-004	LOCK ASSM HUB LOCK 'B' XL LH LEFT	LEFT -INCLUDES CABLE
1 -3, 5 -15	115824	HUB LOCK Z IRIS KIT	

NOTE: Must order wheel & axle seperately.



Pos.	Item Number	Description	Remarks
1A	101466	12 IN MAG POLY TIRE 3 SPOKE	Low Poly
1B	101661	12" MAG PNEU 3 SPOKE	
1C	101662	12" MAG PNEU INSRT 3 SPK	
1D	384706	TIRE PNEU 12-1/2" X 2-1/4"	Tire only
2	349500	1 1/8 X 1/2 BEARING	
3A	384736	INNER TUBE 12-1/2" X 2-1/4"	
3B	102972-001	12 1/2 IN AIRLESS INSERT	



Pos.	Item Number	Description	Remarks
1A	101667	16 IN MAG PNEU 3 SPOKE	
1B	101668	16 IN MAG PNEU W/INSERT	
1C	385237	16" X 1.75" PNEU TIRE	Tire Only
2	349500	1 1/8 X 1/2 BEARING	
3A	384738	16" X 1.75" INNER TUBE	
3B	102973-001	16IN AIRLESS INSERT	



Pos.	Item Number	Description	Remarks
1-3	401094	20" MAG W/BRNG 6 SPOKE	20"
1-3	401093	22" MAG W/BRNG 6 SPOKE	22"(501mm)
1-3	401092	24" MAG W/BRNG 6 SPOKE	24"(540mm)
2	349500	1 1/8 X 1/2 BEARING	
3	521564	MAG BEARING SPACER	
4	101932	SPCR .194ID X .375 OD X .750	Used when previously ordered with Omit handrims or Natural Fit Handrims

(10/2010)

NOTE: THIS WHEEL UTILIZES SCREW MOUNT HANDRIMS - THE HANDRIM HAS A THREADED HOLE THAT MOUNTS THE HANDRIM TO THE WHEEL THROUGH A SPACER AND FASTNER.

NOTE: IF MAG WHEEL ASSEMBLY WAS ORDER WITH OUT HANDRIM AND A HANDRIM IS ADDED TO THE WHEEL QTY 6 OF 561037 AND 281175 MUST BE ORDERED TO PROPERLY MOUNT THE HANDRIM.

NOTE: THIS WHEEL UTILIZES SCREW MOUNT HANDRIMS - THE HANDRIM HAS A THREADED HOLE THAT MOUNTS THE HANDRIM TO THE WHEEL THROUGH A SPACER AND FASTNER.



Pos.	Item Number	Description	Remarks
1A	401001	WHEEL ASSM PUSH BUTTON 18"	18"
1B	401070	20" RIM ASSM PUSH BUTTON	20"
1C	401072	22" RIM ASSM PUSH BUTTON	22"(501mm)
1D	401074	24" RIM ASSM PUSH BUTTON	24"(540mm)
1E	401077	26IN RIM ASSM PUSH BUTTON	26"(590mm)
2	349500	1 1/8 X 1/2 BEARING	
3A	362247	SPOKE 154MM X 2.0MM	
3B	362250	QP SPOKE 201MM X 2.0MM	
3C	362275	QP SPOKE 226MM X 2.0MM	
3D	362300	QP SPOKE 244MM X 2.0MM	
3E	362325	QP SPOKE 270MM X 2.0MM	

NOTE: THIS WHEEL UTILIZES SCREW MOUNT HANDRIMS - THE HANDRIM HAS A THREADED HOLE THAT MOUNTS THE HANDRIM TO THE WHEEL THROUGH A SPACER AND FASTNER.



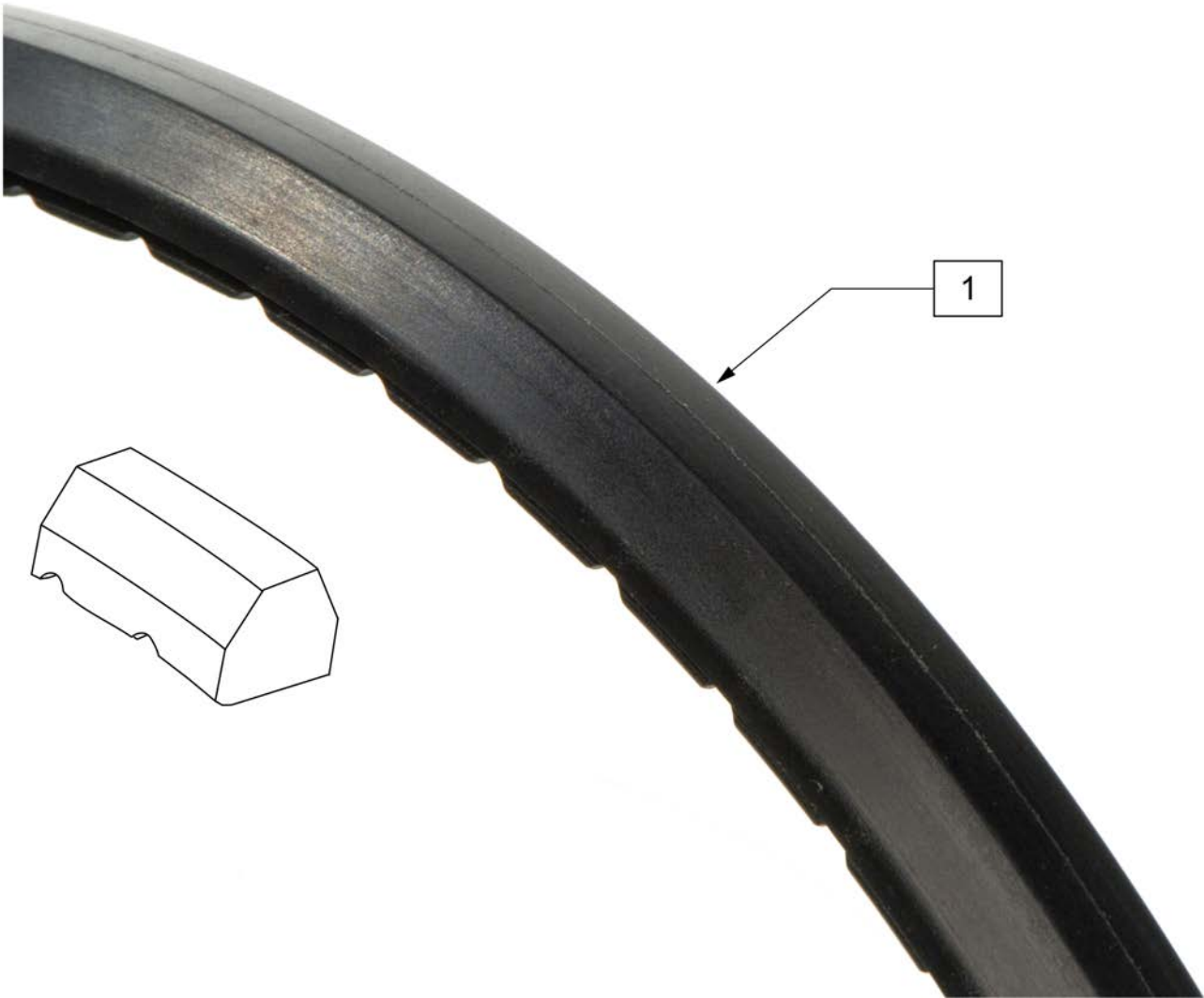
Pos.	Item Number	Description	Remarks
1A	116178	WHEEL ASSY MBL 20"	20" (451)
1B	116179	WHEEL ASSY MBL 22"	WHL RIM/SPOKE MBL 22 (501)
1C	116180	WHEEL ASSY MBL 24"	WHL RIM/SPOKE MBL 24 (540)
1D	116181	WHEEL ASSY MBL 25"	WHL RIM/SPOKE MBL 25 (559)
1E	116182	WHEEL ASSY MBL 26"	WHL RIM/SPOKE MBL 26 (590)
2	114097	BEARING, REPLACEMENT, MBL	12.7mm i.d. - 28mm o.d. - 8mm wide
3A	118100	MBL LT 20IN SPOKE RPLMNT KIT	Kit contains 6 inner and 6 outer spokes
3B	118101	MBL LT 22IN SPOKE RPLMNT KIT	Kit contains 6 inner and 6 outer spokes
3C	118102	MBL LT 24IN SPOKE RPLMNT KIT	Kit contains 6 inner and 6 outer spokes
3D	118103	MBL LT 25IN SPOKE RPLMNT KIT	Kit contains 6 inner and 6 outer spokes
3E	118104	MBL LT 26IN SPOKE RPLMNT KIT	Kit contains 6 inner and 6 outer spokes



Pos.	Item Number	Description	Remarks
1	384706	TIRE PNEU 12-1/2" X 2-1/4"	12-1/2" X 2-1/4"
1	385237	16" X 1.75" PNEU TIRE	
1	385225	TIRE PNEUMATIC 18"	18" x 1 3/8
1	385250	20" PNEUMATIC TIRE	20" x 1 3/8
1	385275	22" PNEUMATIC TIRE	22" x 1 3/8 (501mm)
1	385300	24" PNEUMATIC TIRE	24" x 1 3/8 (540mm)
1	385325	26" PNEUMATIC TIRE	26" x 1 3/8 (590mm)
1	384614	24" x 2.125 PNEUMATIC TIRE	24"x2 1/8 (540mm) used w/ M6



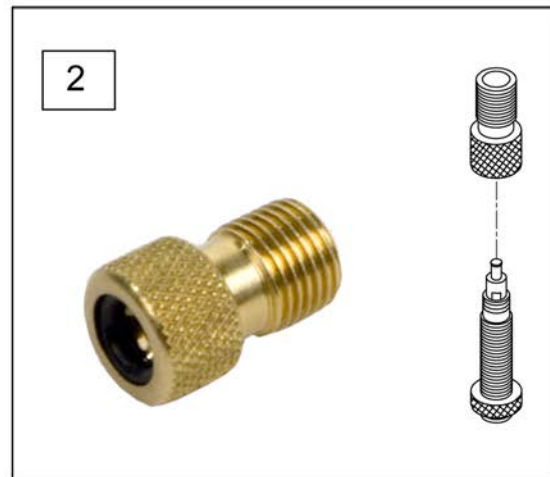
Pos.	Item Number	Description	Remarks
1	386232	20" POLY TIRE STD	20"
1	386242	22" POLY TIRE STD	22" (501mm)
1	386252	24" POLY TIRE STD	24" (540mm)



Pos.	Item Number	Description	Remarks
1	386262	20" LP POLY TIRE BR	20"
1	386263	22" LP POLY TIRE BR	22"(501mm)
1	386254	24" POLY LOW PROFILE	24"(540mm)

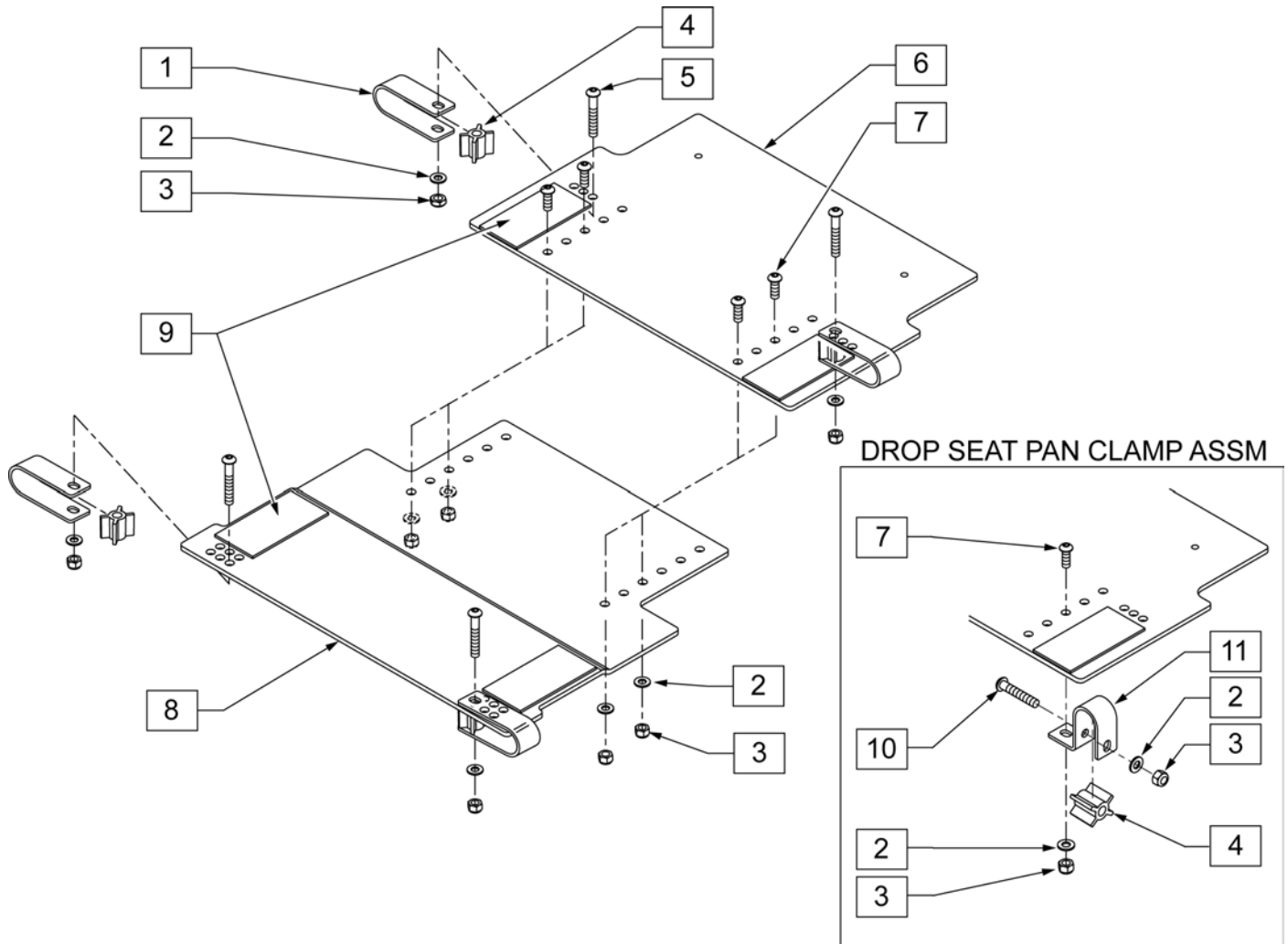


Pos.	Item Number	Description
1	385350	24" KEVLAR TIRE



Pos.	Item Number	Description	Remarks
1A	382305	22" X 1" TUBE PRESTA VALVE	
1A	382330	24" TUBE PRESTA VALVE (540MM)	
1A	384545	QP 24" HT INNER TUBE (559MM)	
1A	382355	26" TUBE PRESTA VALVE (590MM)	
1A	384550	QP 26" HT INNER TUBE (700C)	
1B	384736	INNER TUBE 12-1/2" X 2-1/4"	
1B	384738	16" X 1.75" INNER TUBE	
1B	382255	TUBE 18" TIRE	18" X 1-3/4" TUBE
1B	382275	20" TUBE	20" 1-3/8" TUBE
1B	382300	22" TUBE	22" X 1-3/8" TUBE
1B	382336	TUBE PRIMO 24" 25-540 SV	24" X 1" TUBE
1B	382325	24 X 1.3/8IN TUBE REG	
1B	382334	TUBE INLINE 24 X 1.75	
1B	384551	26" X 1" TUBE SCHRADER	
1B	382350	26" TUBE	26" X 1-3/8" TUBE
1B	382361	TUBE 26 X 1.5/1.95/ S/V	
1B	382365	26 X 1.25/1.5 TUBE SHRADER	
1B	382375	24" x 2.125 TUBE	
1C	102972-001	12 1/2 IN AIRLESS INSERT	12-1/2" X 2-1/4"
1C	102973-001	16IN AIRLESS INSERT	16" X 1-3/4"
1C	102973-002	18IN AIRLESS INSERT	18" X 1-3/4"

Pos.	Item Number	Description	Remarks
1C	102973-003	20IN AIRLESS INSERT	20" X 1-3/8"
1C	102972-002	AIRLESS INSERT 20 X 2-1/8 P3	
1C	102973-004	22IN AIRLESS INSERT	22" X 1-3/8"
1C	102973-005	24IN AIRLESS INSERT	24" X 1-3/8"
1C	102972-003	AIRLESS INSERT 24 X 2-1/8	
1C	108259	26" AIRLESS INSERT	26" X 1-3/8"
2	381230	VALVE ADAPTER PRESTA	



Pos.	Item Number	Description	Remarks
1	107073	CLAMP SEAT PAN STD	
2	106946	WASHER FLAT AN 5/16 ROHS	
3	202117	5/16-18 NYLOCK NUT THICK BLK	
4	560771	SPACER SEAT PAN	
5	106982	BHCS 5/16 -18" x 1 3/4 SHLD ROHS	
7	106979	BHCS 5/16 -18" x 3/4 ROHS	
9	698057	2 x 4" HOOK PSA BLACK CUT	
10	106981	BHCS 5/16 -18 x 1 1/2 ROHS	
11	107074	CLAMP SEAT PAN DROP	
		FRONT SEAT PANS WITH VELCRO	
8,9	108592	SEAT PAN FRONT 12-14 VELCRO	Fits 14W DROP
8,9	109625	SEAT PAN FRONT 13-15 VELCRO	Fits 15W DROP
8,9	108141	SEAT PAN FRONT 14 -16" VELCRO	Fits 14W STD or 16W DROP
8,9	109626	SEAT PAN FRONT 15-17 VELCRO	Fits 15W STD or 17W DROP
8,9	108142	SEAT PAN FRONT 16 -18" VELCRO	Fits 16W STD or 18W DROP
8,9	109627	SEAT PAN FRONT 17-19 VELCRO	Fits 17W STD or 19W DROP
8,9	108143	SEAT PAN FRONT 18 -20" VELCRO	Fits 18W STD or 20W DROP
8,9	109628	SEAT PAN FRONT 19-21 VELCRO	Fits 19W STD or 21W DROP
8,9	108144	SEAT PAN FRONT 20 -22" VELCRO	Fits 20W STD or 22W DROP

Pos.	Item Number	Description	Remarks
8,9	109629	SEAT PAN FRONT 21-23 VELCRO	Fits 21W STD
8,9	108145	SEAT PAN FRONT 22 -24" VELCRO	Fits 22W STD
		REAR SEAT PANS WITH VELCRO	
8,9	108593	SEAT PAN REAR 12-14 VELCRO	Fits 14W DROP
6,9	109630	SEAT PAN REAR 13-15 VELCRO	Fits 15W DROP
6,9	108146	SEAT PAN REAR 14 -16" VELCRO	Fits 14W STD or 16W DROP
6,9	109631	SEAT PAN REAR 15-17 VELCRO	Fits 15W STD or 17W DROP
6,9	108147	SEAT PAN REAR 16 -18" VELCRO	Fits 16W STD or 18W DROP
6,9	109632	SEAT PAN REAR 17-19 VELCRO	Fits 17W STD or 19W DROP
6,9	108148	SEAT PAN REAR 18 -20" VELCRO	Fits 18W STD or 20W DROP
6,9	109633	SEAT PAN REAR 19-21 VELCRO	Fits 19W STD or 21W DROP
6,9	108149	SEAT PAN REAR 20 -22" VELCRO	Fits 20W STD or 22W DROP
6,9	109634	SEAT PAN REAR 21-23 VELCRO	Fits 21W STD
6,9	108150	SEAT PAN REAR 22 -24" VELCRO	Fits 22W STD
		SEAT PAN ASSEMBLIES	
2,3,6-9	108594	SEAT PAN ONLY 12 -14" DOES NOT INCLUDE MOUNTING HDWR	Fits 14W DROP
2,3,6-9	109635	SEAT PAN ONLY 13-15" DOES NOT INCLUDE MOUNTING HDWR	Fits 15W DROP
2,3,6-9	108152	SEAT PAN ONLY 14 -16" DOES NOT INCLUDE MOUNTING HDWR	Fits 14W STD or 16W DROP
2,3,6-9	109636	SEAT PAN ONLY 15-17" DOES NOT INCLUDE MOUNTING HDWR	Fits 15W STD or 17W DROP
2,3,6-9	108153	SEAT PAN ONLY 16 -18" DOES NOT INCLUDE MOUNTING HDWR	Fits 16W STD or 18W DROP
2,3,6-9	109637	SEAT PAN ONLY 17-19" DOES NOT INCLUDE MOUNTING HDWR	Fits 17W STD or 19W DROP
2,3,6-9	108154	SEAT PAN ONLY 18 -20" DOES NOT INCLUDE MOUNTING HDWR	Fits 18W STD or 20W DROP
2,3,6-9	109638	SEAT PAN ONLY 19-21" DOES NOT INCLUDE MOUNTING HDWR	Fits 19W STD or 21W DROP
2,3,6-9	108155	SEAT PAN ONLY 20 -22" DOES NOT INCLUDE MOUNTING HDWR	Fits 20W STD or 22W DROP
2,3,6-9	109639	SEAT PAN ONLY 21-23" DOES NOT INCLUDE MOUNTING HDWR	Fits 21W STD
2,3,6-9	108156	SEAT PAN ONLY 22 -24" DOES NOT INCLUDE MOUNTING HDWR	Fits 22W STD
		KITS	
2,3,7	108151	SEAT PAN HDWR KIT	
1-5	108157	REG SEAT PAN MOUNTING KIT (4)	
2-4,7,10-11	108158	DROP SEAT PAN MOUNTING KIT (4)	

NOTE: FITS CHAIRS W/ SERIAL NUMBERS PREFIX IRS OR ISE ONLY.

NOTE: Drop Seat Pan lowers seat 2" and does not work with Transit option, HD package or Contracture Footrest System.

NOTE: Seat Pans are adjustable 14 -22" Deep.

NOTE: If adding a seat pan to a chair with Single Post Armrest then a Kids Receiver must be utilized.

NOTE: "Seat Pan Assm w/ Hdwr XX" - XX"" does not include the hardware to mount the pan to the chair. The appropriate "Reg Seat Pan Mounting Kit" or "Drop Seat Pan Mounting Kit" must be ordered.

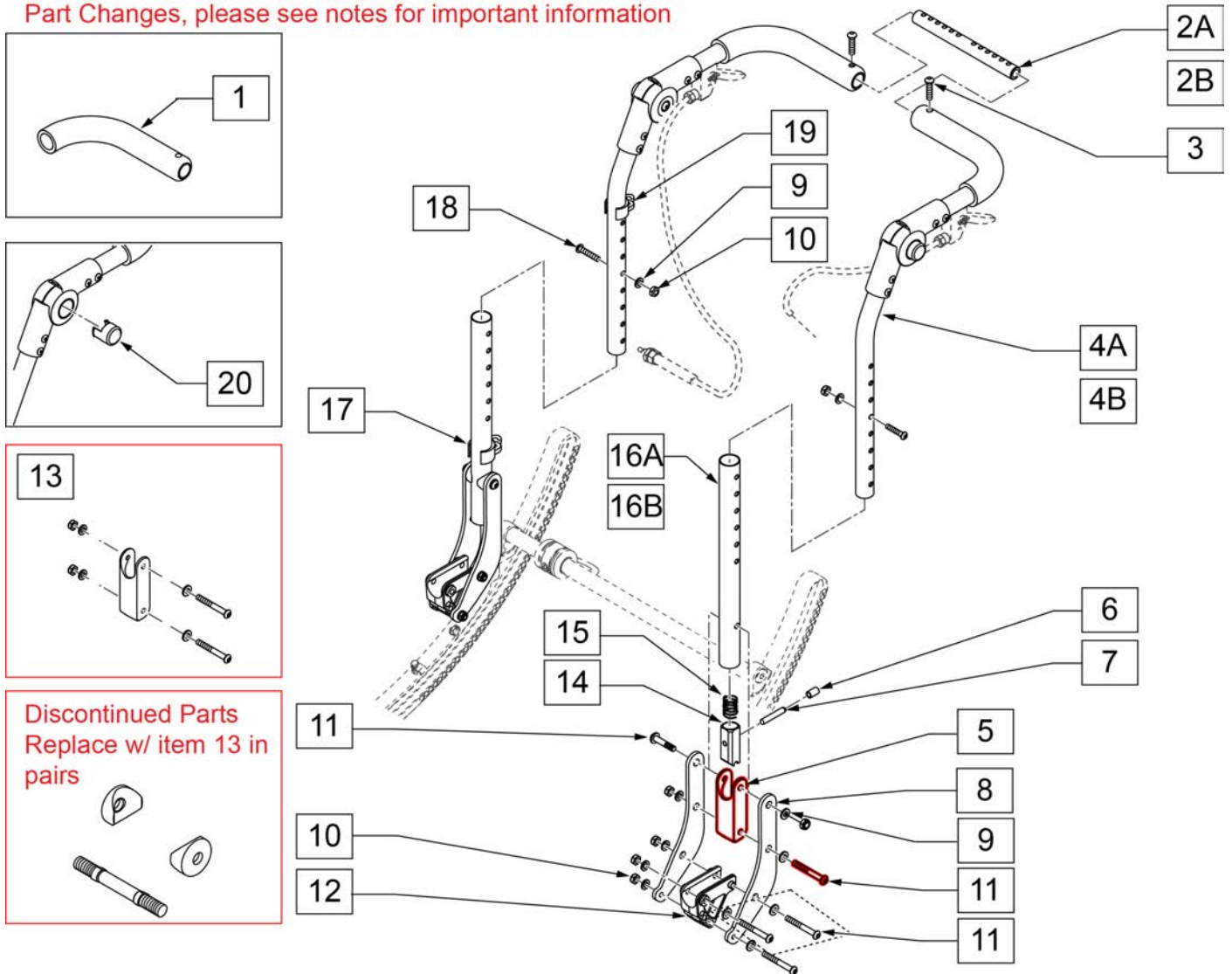
NOTE: If changing from a Drop Seat Pan to a Regular Seat Pan or Vice Versa a smaller or larger pan will be required, please refer to the remarks section for appropriate pan that will be required for desired width.

[06/2013] HEIGHT ADJ BACKREST W/ ADJ STROLLER HANDLE (PRIOR TO S/N IRS-007726 & IRSE-008701)

NOTE: For Tilt Cables and Triggers, please refer to "Tilt Handle & Cable.." parts manual pages.

Note: Replace in Pairs after S/N IRS-020876 & IRSE-028386

Part Changes, please see notes for important information



Pos.	Item Number	Description	Remarks
1	560638	FOAM GRIP .840 ID SHORT	
2A	521272	SHAFT GROWTH HANDLE 14 -19" WIDE	14 -19" SEAT WIDTH
2B	521392	SHAFT GROWTH HANDLE 17 -22" WIDE	17 -22" SEAT WIDTH
3	106960	BHCS 1/4 -28 x 7/8 ROHS	
4A	106725-001	BKRST HT ADJ UPPER ASSY R STD	STD PUSH HANDLE RIGHT
4A	106726-001	BKRST HT ADJ UPPER ASSY L STD	STD PUSH HANDLE LEFT
4B	106725-002	BKRST HT ADJ UPPER ASSY R EXT	LONG PUSH HANDLE RIGHT

Pos.	Item Number	Description	Remarks
4B	106726-002	BKRST HT ADJ UPPER ASSY L EXT	LONG PUSH HANDLE LEFT
5	124612	BLOCK-LATCH STOP	
6	126238	PUSH ON ROUND CAP	
7	481084	BACK REL PIN Z2/QT/EX	
8	050519	BACK PLATE PED	
9	106943	WASHER FLAT AN 1/4 ROHS	
10	106935	NUT NYLOCK THIN 1/4 -28 ROHS	
11	106965	BHCS 1/4 -28 x 2 SHLDR ROHS	
12	560517	BLOCK ANGLE BACKREST MOUNT	
13	126099	BACK REST SADDLE W/ HDWR PAIR	Pair-Replacement Latch Stop Kit
13	126100	BACK REST SADDLE W/ HDWR EACH	Each-Replacement Latch Stop Kit
14	560173	S-A LATCH .885 OD	
15	321110	S-A LATCH SPRING	
17	108134	CLIP CABLE 1" (10)	PACK OF 10
18	106961	BHCS 1/4 -28 x 1 1/4 ROHS	
19	108135	CLIP CABLE 7/8" (10)	PACK OF 10
20	483317	PUSH BUTTON MULTI POSITION HINGE	
16A,5, 8 -11	107259	HGT ADJ PH STD LOWER TUBE ASSM	RIGHT 15 -21" BACK HEIGHT
16A,5, 8 -11	107260	HGT ADJ PH STD LOWER TUBE ASSM	LEFT 15 -21" BACK HEIGHT
16B,5, 8 -11	107168	HGT ADJ PH STD LOWER TUBE ASSM	RIGHT 18 -24" BACK HEIGHT
16B,5, 8 -11	107169	HGT ADJ PH STD LOWER TUBE ASSM	LEFT 18 -24" BACK HEIGHT
1,2A,3,4A,9,10,18	108238	STROLLER HANDLE STD 14 -19" ASSM	14 -19" SEAT WIDTH- STD PUSH HANDLE
1,2B,3,4A,9,10,18	108239	STROLLER HANDLE STD 17 -22" ASSM	17 -22" SEAT WIDTH- STD PUSH HANDLE
1,2A,3,4B,9,10,18	108240	STROLLER HANDLE LONG 14 -19" ASSM	14 -19" SEAT WIDTH- LONG PUSH HANDLE
1,2B,3,4B,9,10,18	108241	STROLLER HANDLE LONG 17 -22" ASSM	17 -22" SEAT WIDTH- LONG PUSH HANDLE
1,2A,3,4A,5-20	108242	STROLLER STD 14 -19" STD LOWER TUBE	15 -21" BACK HGT, 14 - 19" SEAT WIDTH-STD PUSH HANDLE
1,2B,3,4A,5-20	108243	STROLLER STD 17 -22" STD LOWER TUBE	15 -21" BACK HGT, 17 - 22" SEAT WIDTH-STD PUSH HANDLE
1,2A,3,4A,5-20	108244	STROLLER LONG 14 -19" STD LOWER TUBE	15 -21" BACK HGT, 14 - 19" SEAT WIDTH- LONG PUSH HANDLE
1,2B,3,4A,5-20	108245	STROLLER LONG 17 -22" STD LOWER TUBE	15 -21" BACK HGT, 17 - 22" SEAT WIDTH- LONG PUSH HANDLE
1,2A,3,4B,5-20	108246	STROLLER STD 14 -19" TALL LOWER TUBE	18 -24" BACK HGT, 14 - 19" SEAT WIDTH-STD PUSH HANDLE
1,2B,3,4B,5-20	108247	STROLLER STD 17 -22" TALL LOWER TUBE	18 -24" BACK HGT, 17 - 22" SEAT WIDTH-STD PUSH HANDLE
1,2A,3,4B,5-20	108248	STROLLER LONG 14 -19" TALL LOWER TUBE	18 -24" BACK HGT, 14 - 19" SEAT WIDTH- LONG PUSH HANDLE

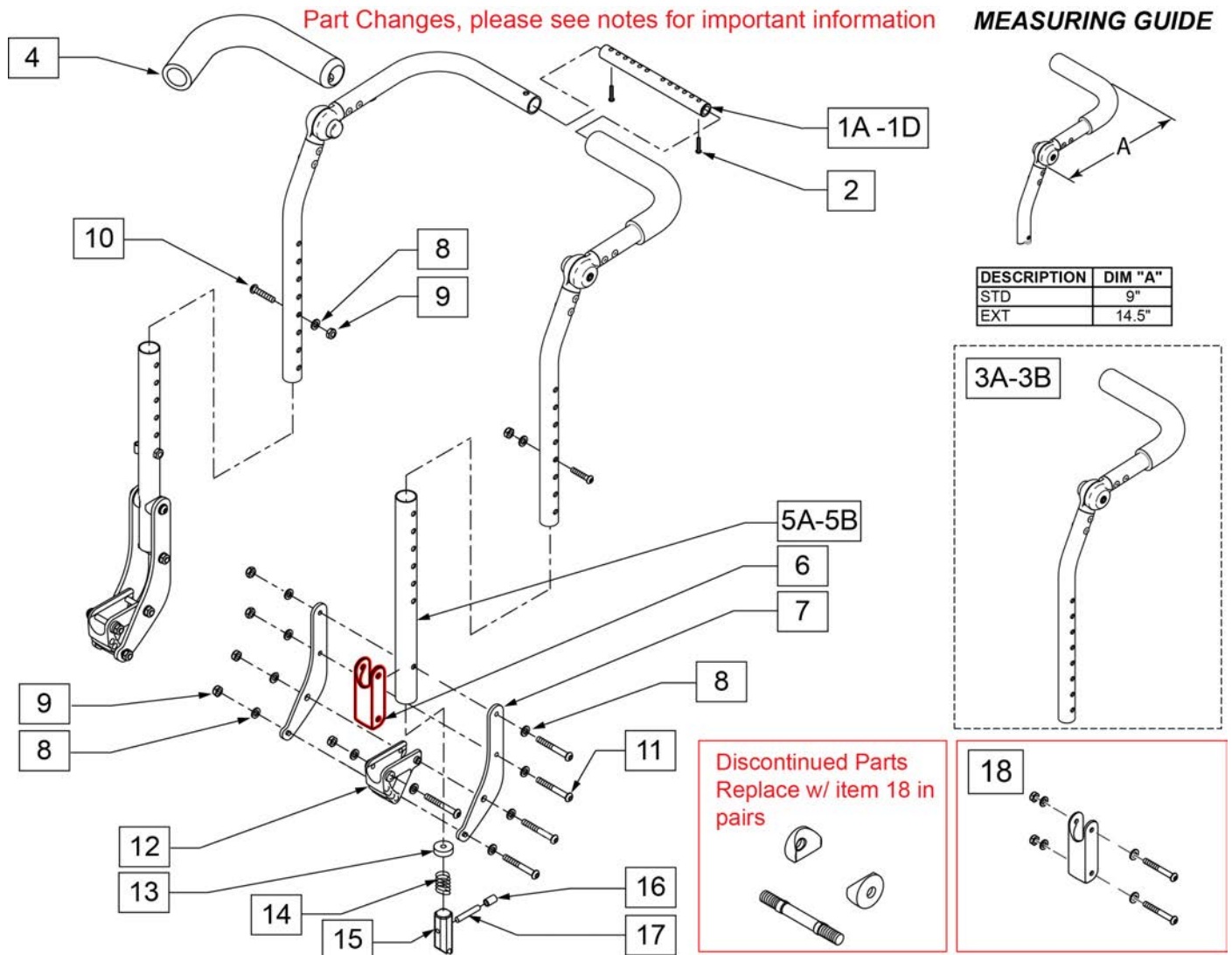
Pos.	Item Number	Description	Remarks
1,2B,3,4B,5-20	108249	STROLLER LONG 17 -22" TALL LOWER TUBE	18 -24" BACK HGT, 17 - 22" SEAT WIDTH- LONG PUSH HANDLE

HEIGHT ADJ BACKREST W/ ADJ STROLLER HANDLE (AFTER S/N IRS-007726 & IRSE-008701) (07/2013)

Note: Order cable assembly separately based on "Tilt Hnadle-Cable Assm for Height Adj Back" page.

Note: Order hardware for IRIS brackets based on "Back Plate Replacement Bolt Kit" page.

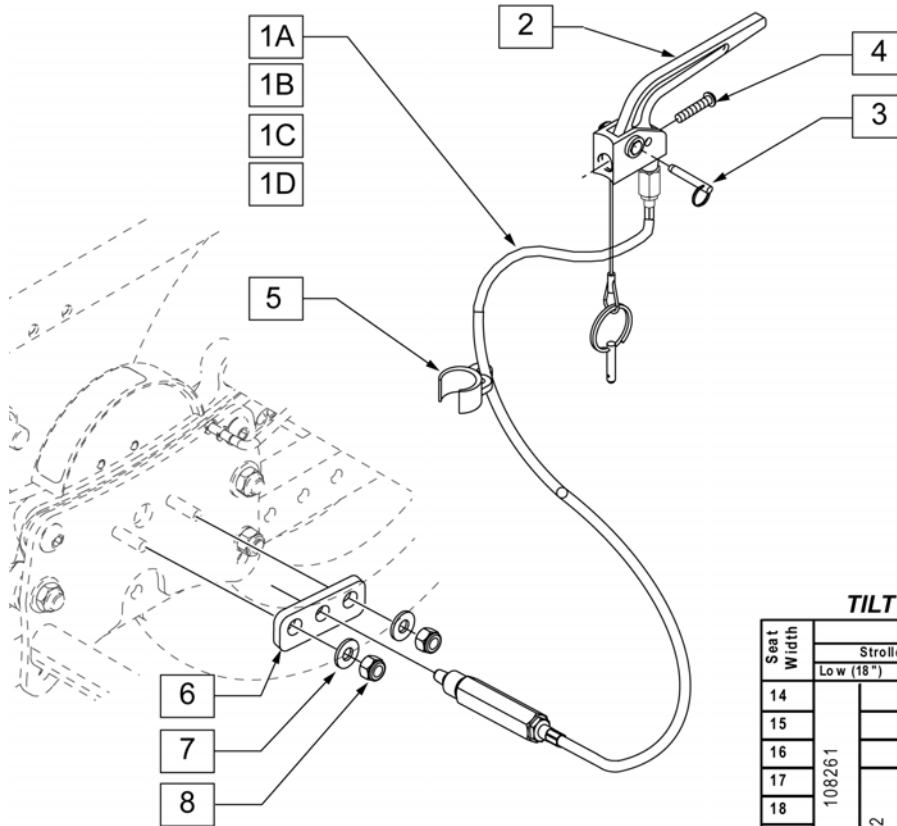
Note: Refer to "Dynamic Backrest" parts page for replacement back plates and Dynamic Backrest replacement parts.



Pos.	Item Number	Description	Remarks
1A	050541-001	SHAFT GROWTH PED SHORT	Ped 10-14" Wide
1B	050541-002	SHAFT GROWTH PED MED	Ped 12-16" Wide
1C	521392	SHAFT GROWTH PED LONG	Ped 14-18" Wide-Adult 17-22" Wide
1D	521272	SHAFT GROWTH SHORT	Adult 14-19 Wide
2	106960	BHCS 1/4 -28 x 7/8 ROHS	

Pos.	Item Number	Description	Remarks
3A	110968-001	BACKREST UPPER HT ADJ R STD	RIGHT
3A	110969-001	BACKREST UPPER HT ADJ L STD	LEFT
3B	110968-002	BACKREST UPPER HT ADJ R EXT	RIGHT
3B	110969-002	BACKREST UPPER HT ADJ L EXT	LEFT
4	560638	FOAM GRIP .840 ID SHORT	
5A	520757	TUBE BACK FRAME LOWER	Std
5B	107171	TUBE BACK FRAME LOWER TALL	Tall
6	124612	BLOCK-LATCH STOP	
7	050519	PLATE BACK PED	
8	106943	WASHER FLAT AN 1/4 ROHS	
9	106935	NUT NYLOCK THIN 1/4 -28 ROHS	
10	107027	BHCS 1/4 -28 x 1 3/4 SHLDR ROHS	
11	106965	BHCS 1/4 -28 x 2 SHLDR ROHS	
12	481042	BACK REL STOP PIN QTS	
13	560517	BLOCK ANGLE BACKREST MOUNT	
14	483020	S/A SPRING RETAINER	
15	321110	S/A LATCH SPRING	
16	560173	S/A LATCH .885 OD	
17	126238	PUSH ON ROUND CAP	
18	126099	BACK REST SADDLE W/ HDWR PAIR	Pair-Replacement Latch Stop Kit
18	126100	BACK REST SADDLE W/ HDWR EACH	Each-Replacement Latch Stop Kit
19	200100-QU	10-32 NYLOCK NUT	
20	349511	1/2 ID PLASTIC CLAMP BLK	
21	261204	#10 AN WASHER .063	
22	226032-QU	10-32 x 1 1/2 BH C/S BLK	
5A-9,11,12,14-18	107259	HT ADJ LWR TUBE STD ASSM R	RIGHT, 16-22" Tall
5A-9,11,12,14-18	107260	HT ADJ LWR TUBE STD ASSM L	LEFT, 16-22" Tall
5B-9,11,12,14-18	107168	HT ADJ LWRTBE TL ASM R	RIGHT,19-25" Tall
5B-9,11,12,14-18	107169	HT ADJ LWRTBE TL ASM L	LEFT,19-25" Tall
1D-3A,4-5A,6-22	118109	HT ADJ BCK ADULT STDSTD 14-19	
1C-3B,4-5A,6-22	118110	HT ADJ BCK ADULT STDEXT 14-19	
1D-3A,4-5B,6-22	118111	HT ADJ BCK ADULT TALSTD 14-19	
1C-3B,4-5B,6-22	118112	HT ADJ BCK ADULT TALEXT 14-19	
1D-3A,4-5A,6-22	118113	HT ADJ BCK ADULT STDSTD 17-22	
1C-3B,4-5A,6-22	118114	HT ADJ BCK ADULT STDEXT 17-22	
1D-3A,4-5B,6-22	118115	HT ADJ BCK ADULT TALSTD 17-22	
1C-3B,4-5B,6-22	118116	HT ADJ BCK ADULT TALEXT 17-22	

NOTE: FITS QUICKIE IRIS CHAIRS W/ SERIAL NUMBERS PREFIX IRS OR IRSE ONLY.

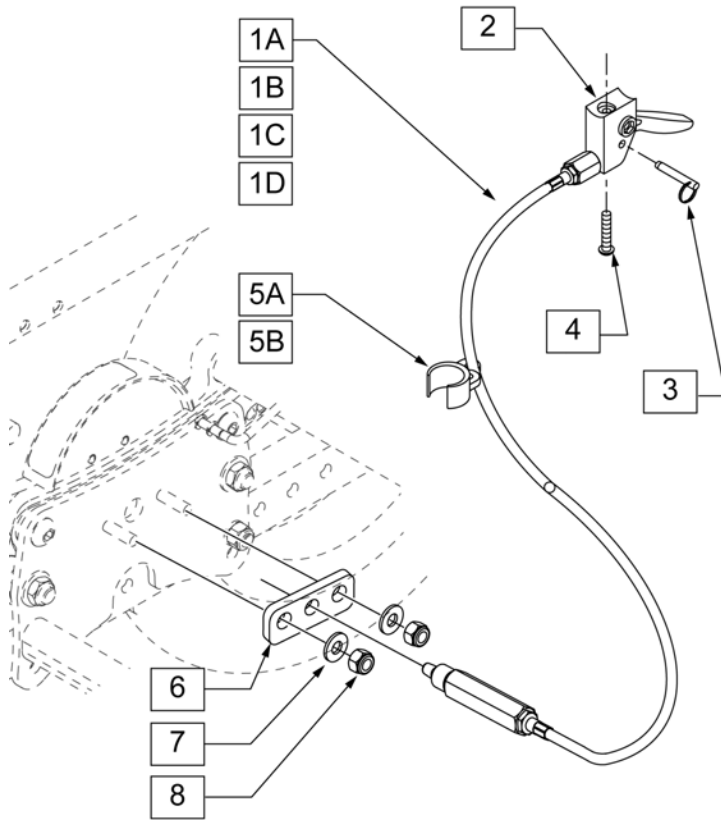


QUICKIE IRIS
TILT CABLE REFERENCE GUIDE

Seat Width	Backrest				
	Stroller Handle Back post			Reclining Back rest	
	Low (18")	Med (21")	Tall (24")	Medium	Tall
14	108261	108262	108263	108262	108263
15					
16	108262	108263	108264	108263	108264
17					
18					
19	108263	108264	108263	108263	108264
20					
21	108264	108263	108264	108263	108264
22					

Pos.	Item Number	Description	Remarks
2,3	580110	CYL LOCK LEVER ASSM QT/QR/P5	
4	281120	10/32 x 5/8 PAN HD PHIL	
5	108134	CLIP CABLE 1" (10)	PACK OF 10
6	500698	PLATE PLUNGER ROLLER	
7	106945	WASHER FLAT SAE 1/4 ROHS	
8	106932	NUT NYLOCK 1/4 -20 ROHS	
1A-8	108261	PH MNT CABLE ASM SHT	51" LONG (SHORT)
1B-8	108262	PH MNT CABLE ASM MED	54" LONG (MEDIUM)
1C-8	108263	PH MNT CABLE ASM LONG	57" LONG (LONG)
1D-8	108264	PH MNT CABLE ASM X LONG	60" LONG (X-LONG)

NOTE: FITS QUICKIE IRIS CHAIRS W/ SERIAL NUMBERS PREFIX IRS OR IRSE ONLY.



QUICKIE IRIS
TILT CABLE REFERENCE GUIDE

Seat Width	Backrest			
	Height Adj (Short or Long Push Handles)			
	Standard (15"-21")		Tall (18"-24")	
14	108269		108270	
15				
16				
17	108270		108271	
18				
19				
20		108271		108272
21				
22				

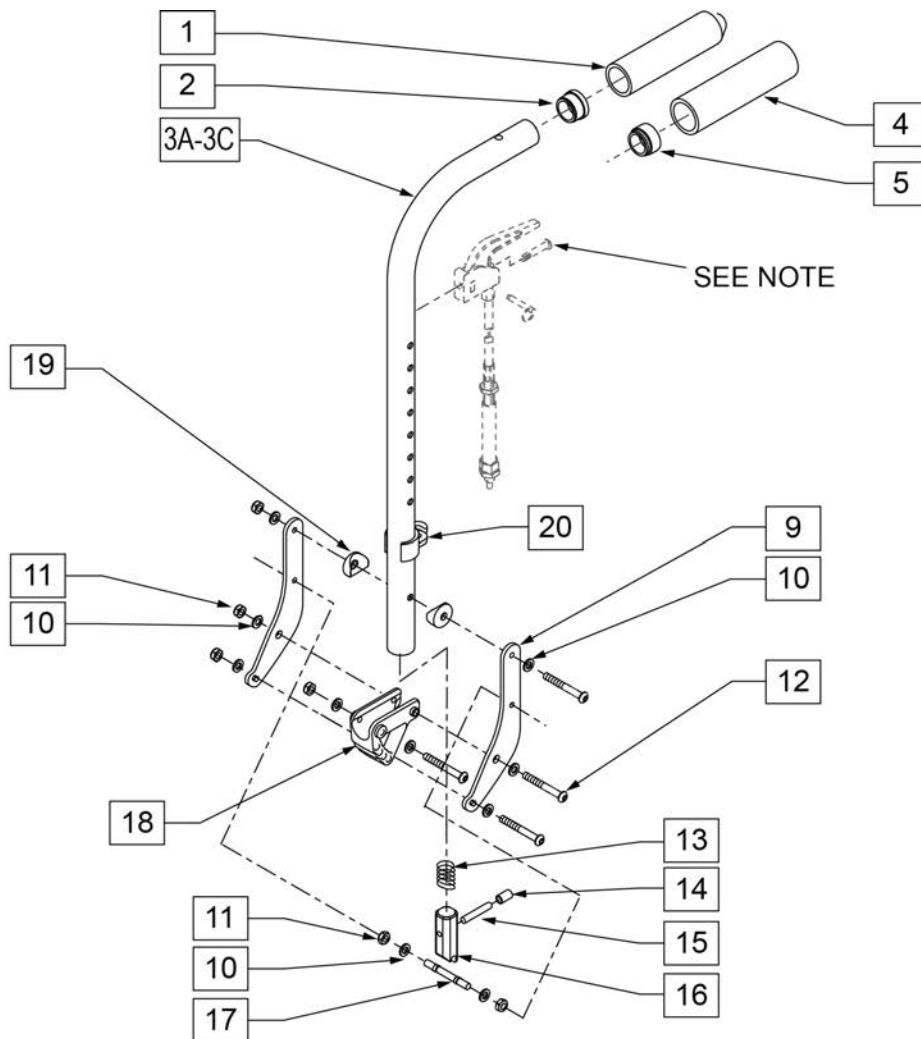
Pos.	Item Number	Description	Remarks
2,3	580109	PLUNGER PIN LEVER ASSM	
4	281120	10/32 x 5/8 PAN HD PHIL	
5A	108134	CLIP CABLE 1" (10)	PACK OF 10
5B	108135	CLIP CABLE 7/8" (10)	PACK OF 10
6	500698	PLATE PLUNGER ROLLER	
7	106945	WASHER FLAT SAE 1/4 ROHS	
8	106932	NUT NYLOCK 1/4 -20 ROHS	
1A-8	108269	HGT ADJ MNT CABLE ASM LNG	57" LONG (LONG)
1B-8	108270	HGT ADJ MNT CABLE ASM XL	60" LONG (X-LONG)
1C-8	108271	HGT ADJ MNT CABLE ASM 2XL	63" LONG (2XL-LONG)
1D-8	108272	HGT ADJ MNT CABLE ASM 3XL	66" LONG (3XL-LONG)

Note: For Tilt Cables and Triggers, please refer to "Tilt Handle & Cable.." parts manual pages.

Note: Fits Quickie IRIS Chairs with S/N prefix IRS or IRSE only.

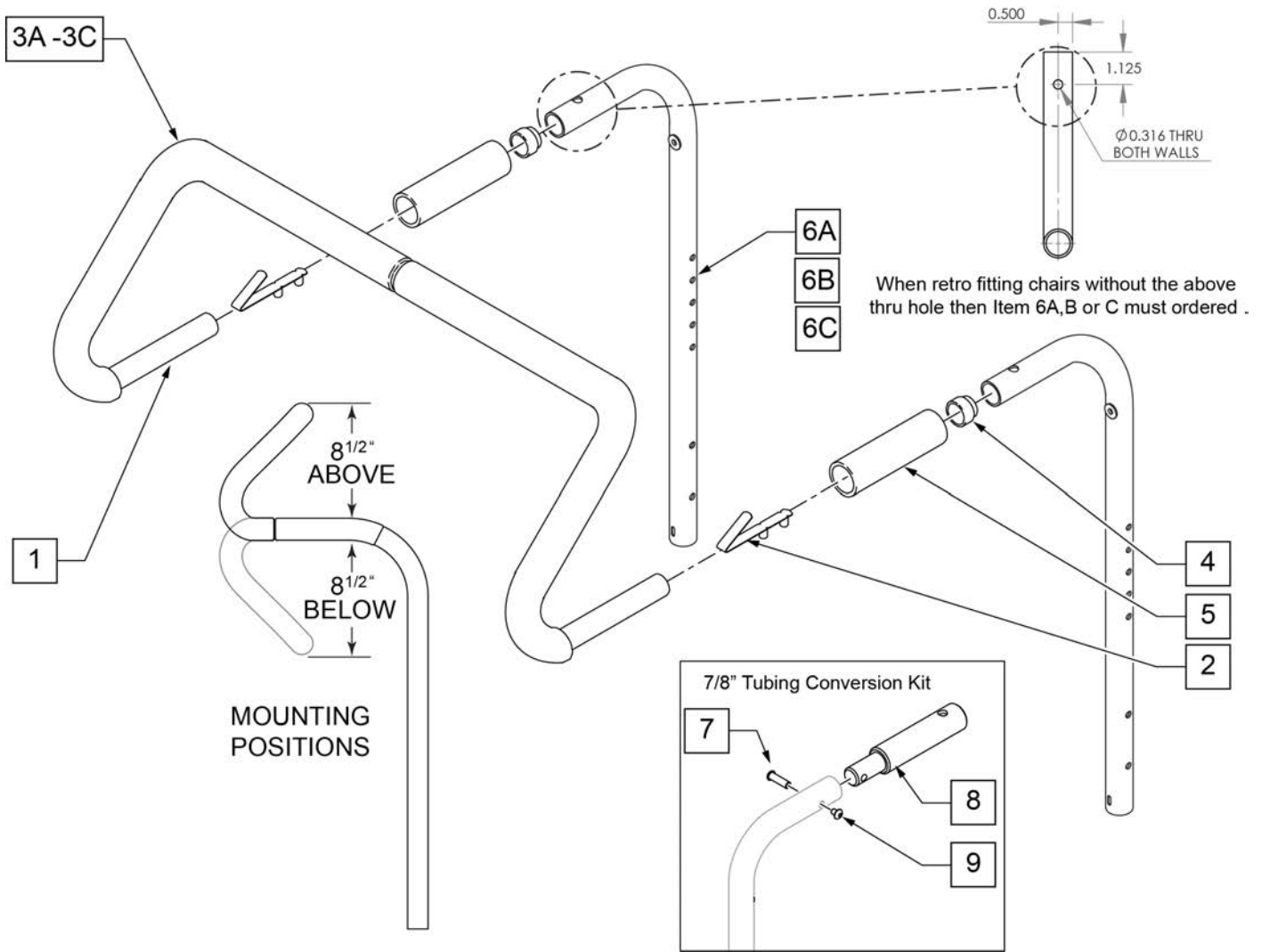
Note: FITS Zippie IRIS Chairs with S/N prefix ZRS or ZRSE only.

Note: Refer to "Dynamic Backrest" parts page for replacement back plates and Dynamic Backrest replacement parts.



Pos.	Item Number	Description	Remarks
1	920027	QUICKIE GRIP 1" W/INSTR SHEET	
2	561002	1" INSERT PLUG .083	
1,2,3A	842080	STROLLER HANDLE W/ FOAM STANDARD ZPS/P5/QT STD	

Pos.	Item Number	Description	Remarks
1,2,3B	842079	STROLLER HANDLE W/ FOAM MED ZPS/QT	MED
1,2,3C	842081	STROLLER HANDLE W/ FOAM TALL ZPS/QT	TALL
4,5,3A	842067	EXT STROLLER HANDLE STANDARD	STD -USED W/ REMOVABLE STROLLER HANDLE EXT.
4,5,3B	842066	EXT STROLLER HANDLE MEDIUM	MED -USED W/ REMOVABLE STROLLER HANDLE EXT.
4,5,3C	842068	EXT STROLLER HANDLE TALL	TALL -USED W/ REMOVABLE STROLLER HANDLE EXT.
4	920023	QUICKIE GRIP 1" W/ HOLE W/ INSTRUCTIONS	USED W/ REMOVABLE STROLLER HANDLE EXT.
5	561082	1" TUBE END BUSHING THIN	USED W/ REMOVABLE STROLLER HANDLE EXT.
9	050519	BACK PLATE PED	
10	106943	WASHER FLAT AN 1/4 ROHS	
11	106935	NUT NYLOCK THIN 1/4 -28 ROHS	
12	106965	BHCS 1/4 -28 x 2 SHLDR ROHS	
13	321110	S/A LATCH SPRING	
14	126238	PUSH ON ROUND CAP	
15	481084	BACK REL PIN Z2/QT/EX	
16	483019	BACK RELEASE LATCH	
17	481042	BACK REL STOP PIN QTS	
18	560517	BLOCK ANGLE BACKREST MOUNT	
19	561004	1" SADDLE 1/4 HOLE	
20	108134	CLIP CABLE 1"	PACK OF 10
1,2,3A,9-20	108128	STROLLER W/ GRIP & HDWR STANDARD	STD
1,2,3B,9-20	108129	STROLLER W/ GRIP & HDWR MEDIUM	MED
1,2,3C,9-20	108130	STROLLER W/ GRIP & HDWR TALL	TALL
3A,4,5,9-20	108131	STROLLER W/ HOLE & HDWR STANDARD	USED W/ REMOVABLE STROLLER HANDLE EXT.
3B,4,5,9-20	108132	STROLLER W/ HOLE & HDWR MEDIUM	USED W/ REMOVABLE STROLLER HANDLE EXT.
SEE NOTE		Part SEE NOTE	
3C,4,5,9-20	108133	STROLLER W/ HOLE & HDWR TALL	USED W/ REMOVABLE STROLLER HANDLE EXT.



Pos.	Item Number	Description	Remarks
2	301108	5/16 SNAP BUTTON DUAL ONE SIDE	
3A	560615	STROLLER EXTENSION GRIP 10 -13"	10 -13" WIDE
3B	560616	STROLLER EXTENSION GRIP 14 -17"	14 -17" WIDE
3C	560617	STROLLER EXTENSION GRIP 18 -20"	18 -20" WIDE
4	561082	1" TUBE END BUSHING THIN	
5	920023	QUICKIE GRIP 1 W/ HOLE	
1, 2, 3A	842050	STROLLER EXTENSION ASSM 10"	
1, 2, 3A	842051	STROLLER EXTENSION ASSM 11"	
1, 2, 3A	842052	STROLLER EXTENSION ASSM 12"	
1, 2, 3A	842053	STROLLER EXTENSION ASSM 13"	
1, 2, 3B	842054	STROLLER EXTENSION ASSM 14"	
1, 2, 3B	842055	STROLLER EXTENSION ASSM 15"	
1, 2, 3B	842056	STROLLER EXTENSION ASSM 16"	
1, 2, 3B	842057	STROLLER EXTENSION ASSM 17"	
1, 2, 3C	842058	STROLLER EXTENSION ASSM 18"	
1, 2, 3C	842059	STROLLER EXTENSION ASSM 19	
1, 2, 3C	842063	STROLLER EXTENSION ASSM 20	
6A	842080	STROLLER HANDLE W/ FOAM STANDARD ZPS/P5/QT	STANDARD/LOW

Pos.	Item Number	Description	Remarks
6B	842079	STROLLER HANDLE W/ FOAM MED ZPS/QT	MEDIUM
6C	842081	STROLLER HANDLE W/ FOAM TALL ZPS/QT	TALL
7-9	125324	STRLLR HNDL CNVERSN KIT 7/8 PH	To fit to 7/8" Push Handle

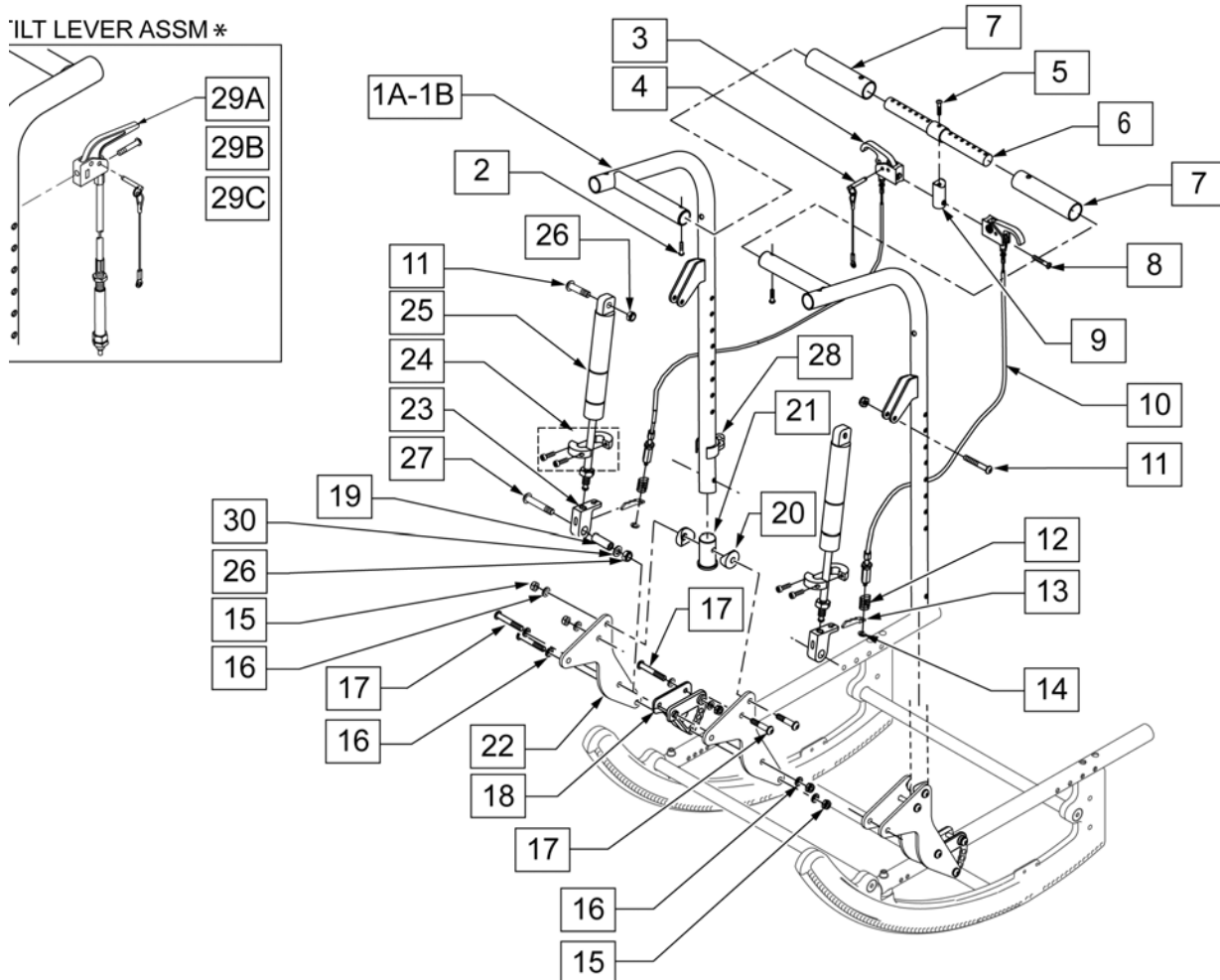
NOTE: Stroller handle extension works with 1" tubing backrest only. Example: DAB on Q2 or Standard backrest on positioning chairs.

NOTE: Not compatible with Swing-Away Adjustable Stroller Handle.

NOTE: FITS CHAIRS W/ SN PREFIX IRS OR ISE AND ONLY FOR CHAIRS WITH 40 DEGREE TILT RANGE.

NOTE: FOR TILT CABLES AND TRIGGERS, PLEASE REFER TO "TILT HANDLE & CABLE" PARTS PAGES

TILT LEVER ASSM *

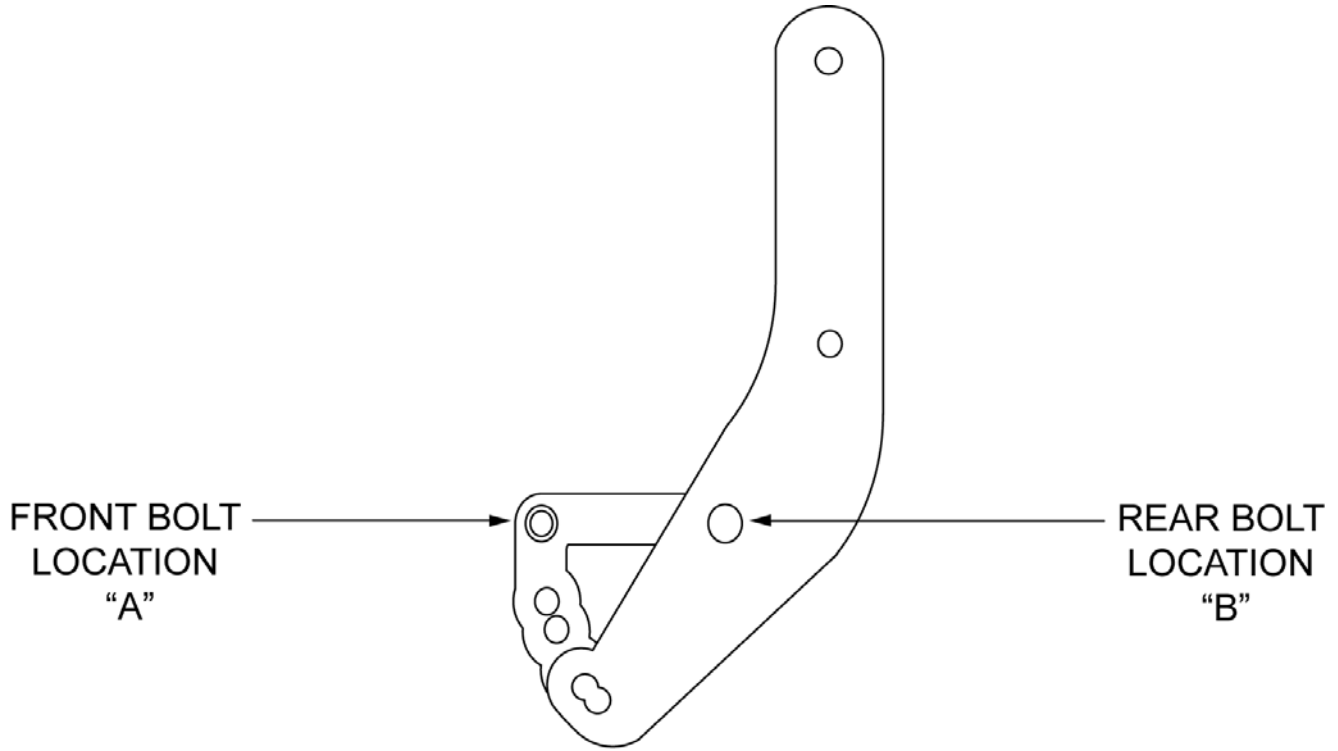


Pos.	Item Number	Description	Remarks
1A	105869-001	WELDMOUNT WIDTH ADJ RECLINING BACK -MED	RIGHT
1A	105870-001	WELDMOUNT WIDTH ADJ RECLINING BACK -MED	LEFT
1B	105869-002	WELDMOUNT WIDTH ADJ RECLINING BACK -TALL	RIGHT
1B	105870-002	WELDMOUNT WIDTH ADJ RECLINING BACK -TALL	LEFT
2	106960	BHCS 1/4 -28 x 7/8 ROHS	
3,4	580111	CYLINDER LOCK LEVER ASSM RECLINER	RECLINE HANDLE
4	349021	TRIGGER RELEASE PIN TS/QT/P5	
5	106981	5/16 -18 x 1 1/2 BH C/S	
6	507310	ADJUSTABLE BAR RECLINING BACK	

Pos.	Item Number	Description	Remarks
7	560664	FOAM GRIP RECLINING BACK QTS	
8	281120	10-32 x 5/8 PAN HD PHIL	
9	483139	T45 RELEASE LEVER MOUNTING BLOCK	
10	342057	CYLINDER LOCK CABLE ASSM	RECLINE CABLE
11	106980	5/16 -18 x 1 1/4 BH C/S	
12	321141	.650L x 6 COIL SPRING	
13	560686	GAS SPRING LEVER T45	
14	342000	1/4 E-CLIP	
15	106935	NUT NYLOCK THIN 1/4 -28 ROHS	
16	106943	WASHER FLAT AN 1/4 ROHS	SEE 'BACK PLATE REPLACEMENT BOLT KIT' PAGE
17	106965	BHCS 1/4 -28 x 2 SHLDR ROHS	SEE 'BACK PLATE REPLACEMENT BOLT KIT' PAGE
18	560517	BLOCK ANGLE BACKREST MOUNT	
19	483179	RECLINING BACK PIVOT STUD QTS	
20	561004	1 SADDLE 1/4 HOLE	
21	483169	RECLINING BACK TUBE PLUG QTS	
22	105867	PLATE BACK RECLINE	
23	880148	GAS SPRING BLOCK W/ BUSHING QTS	
24	342049	10mm ID SPLIT COLLAR	
25	342065	BLOC-O-LIFT 200N x 11.58	
26	202117	5/16-18 NYLOCK NUT THICK BLK	
27	106983	BHCS 5/16 -18 x 2 SHLDR ROHS	
28	108134	CLIP CABLE 1" (10)	PACK OF 10
29A	108262	CABLE ASSM SHORT W/ INSTRU.	SEE 'TILT HANDLE & CABLE' PAGE FOR REF. GUIDE
29B	108263	CABLE ASSM MEDIUM W/ INSTRU.	SEE 'TILT HANDLE & CABLE' PAGE FOR REF. GUIDE
29C	108264	CABLE ASSM LONG W/ INSTRU.	SEE 'TILT HANDLE & CABLE' PAGE FOR REF. GUIDE
30	106946	WASHER FLAT AN 5/16 ROHS	
1A-27	108126	RECLINING BACK RETRO KIT MED	
1B-27	108127	RECLINING BACK RETRO KIT TALL	
1A,7,11,13,15-17,19-27	107253-001	BKRST RECL ASSY R MED	RIGHT - MED
1A,7,11,13,15-17,19-27	107254-001	BKRST RECL ASSY L MED	LEFT - MED

Pos.	Item Number	Description	Remarks
1B,7,11,13,15-17,19-27	107253-002	BKRST RECL ASSY R TALL	RIGHT - TALL
1B,7,11,13,15-17,19-27	107254-002	BKRST RECL ASSY L TALL	LEFT - TALL

NOTE: FITS CHAIRS W/ SERIAL NUMBERS PREFIX IRS OR ISE ONLY.



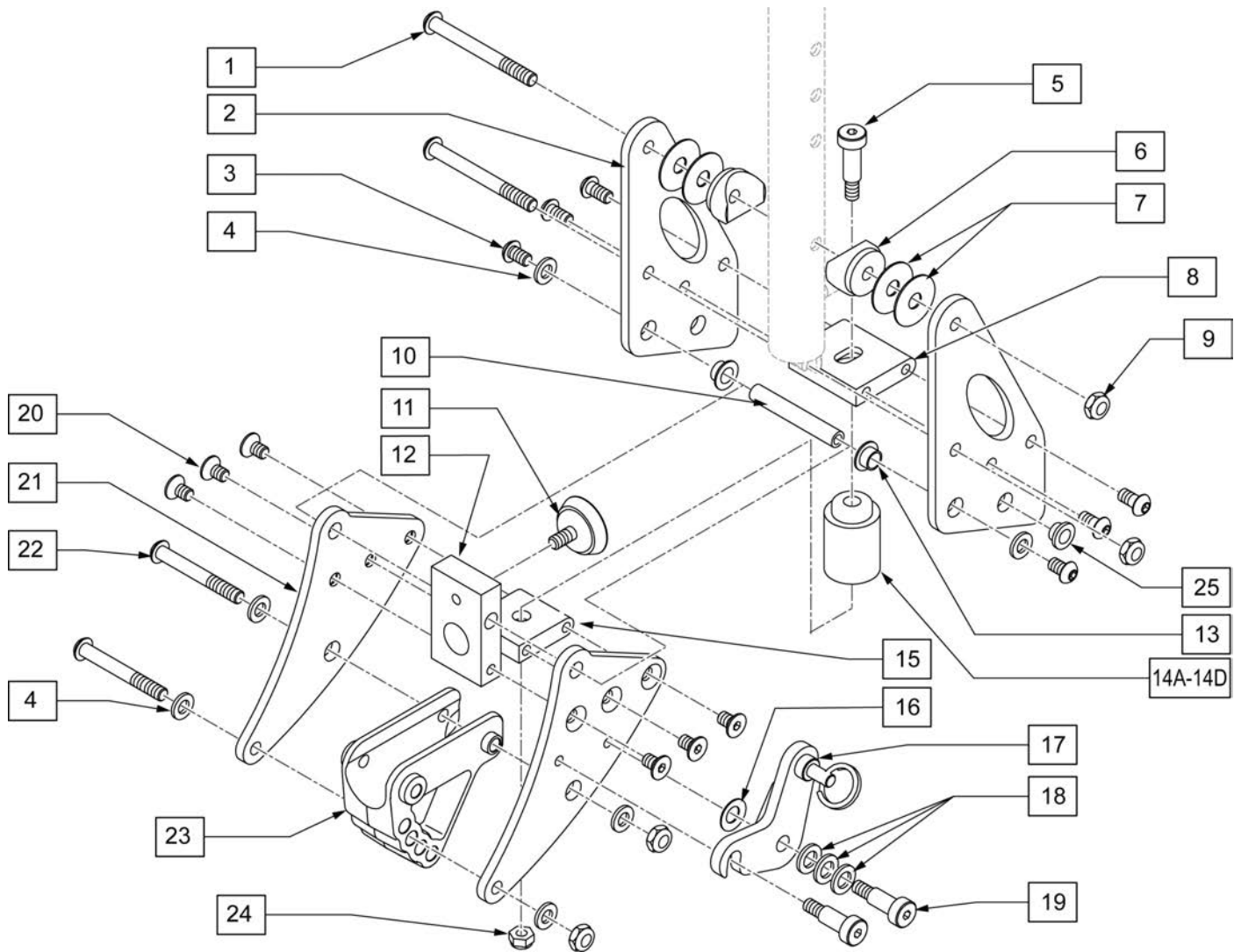
NOTE: BOLT QUANTITIES ARE 2 PER SIDE

BACK PLATE BOLT KIT REFERENCE GUIDE

ACCESSORY TYPE	BOLT LENGTH AND PART NUMBER		
	2"	2 1/4"	2 1/2"
	106965	106966	106967
DUAL POST FIXED			AB
W/O DUAL POST	AB		
DUAL POST FLIP		A	B

Pos.	Item Number	Description	Remarks
	108125	BACK PLATE REPLACEMENT BOLT KIT	CONTAINS ALL HDWR REQUIRED REGARDLESS OF ARMREST TYPE.

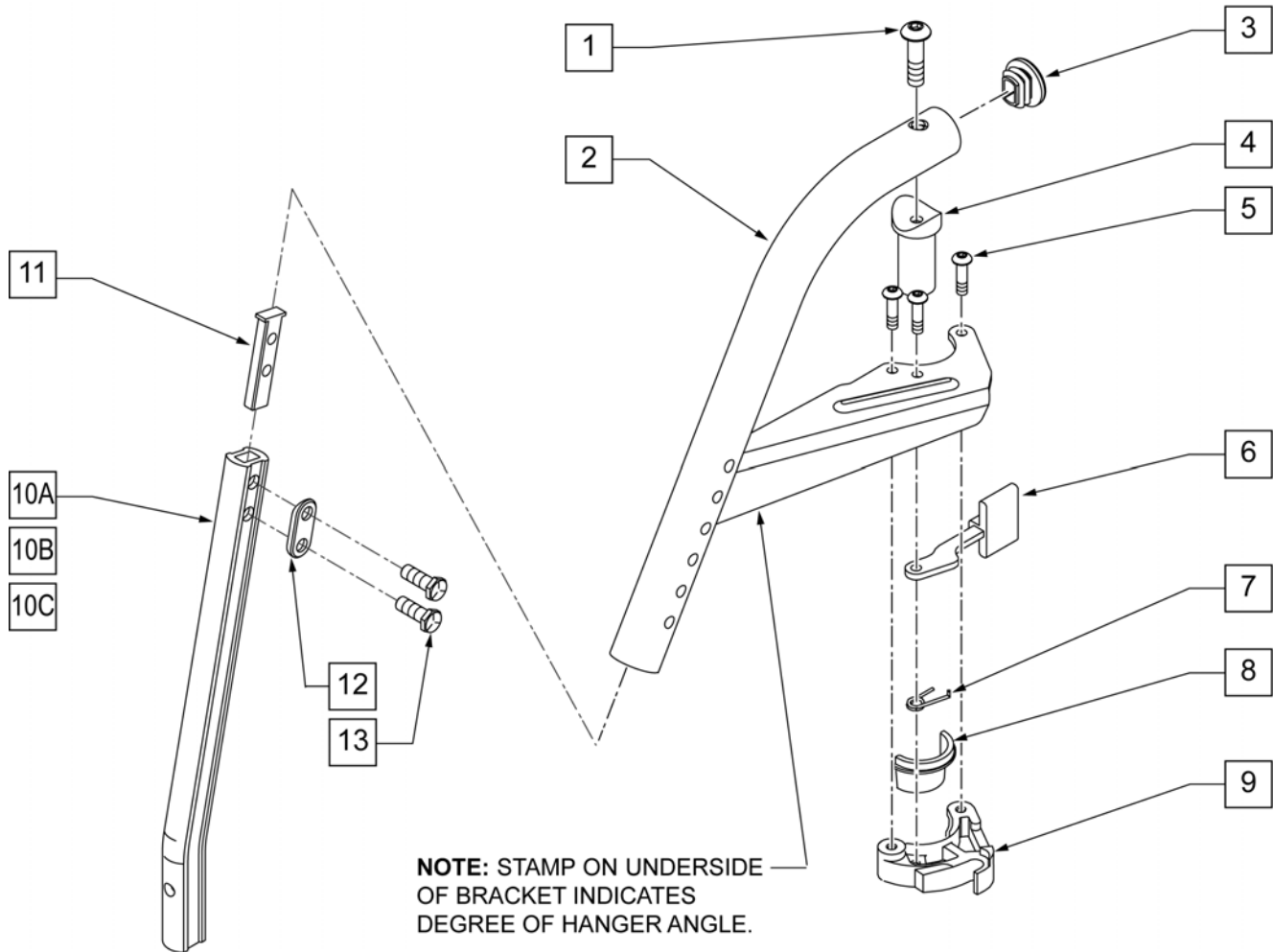
Note: If retro fitting Dynamic Backrest onto chairs built prior to August 2011, a new rear seat pan must be purchased.



Pos.	Item Number	Description	Remarks
1	106967	BHCS 1/4-28 X 2-1/2 SHLDR ROHS	
3	103185-005	BHCS M6 X 1 X 12 FULL PL	
4	106943	WASHER FLAT AN 1/4 ROHS	
5	011649-003	SHLDR SCREW M6 X 8MM OD X 45MM	
6	561087	BACK REL SADDLE RIGID	
7	113268	WASHER NYLON 1IN OD X .312 ID	
9	106935	NUT NYLOCK THIN 1/4-28 ROHS	
11	349560	ZP RUBBER STOP	
14A	124044	SOFT RED SUSPENSION KIT	Pair, includes 2 elastomers
14B	124060	MED BLUE SUSPENSION KIT	Pair, includes 2 elastomers
14C	124064	FIRM GREEN SUSPENSION KIT	Pair, includes 2 elastomers
14D	124082	X-FIRM BLACK SUSPENSION KIT	Pair, includes 2 elastomers
16	262134	5/16 WASHER SPRING DISC	
18	106947	WASHER FLAT THIN AN 5/16 ROHS	

Pos.	Item Number	Description	Remarks
19	011649-001	SHLDR SCREW 8MM OD X 16MM LG	
20	013450	FHCS M6 X 1 X 10MM W/PCH	
22	106965	BHCS 1/4-28 X 2 SHLDR ROHS	
23	560517	BLOCK ANGLE BACKREST MOUNT	
24	104381	NUT HEX NYLOCK M6X1.0	
1-25	126247	DYNAMIC BACKREST ASSM RH	Blue elastomer installed, Red,Green&Black included
1-25	126248	DYNAMIC BACKREST ASSM LH	Blue elastomer installed, Red,Green&Black included
16-19,24,25	120943	DB LATCH REPLACEMENT KIT	Left & Right

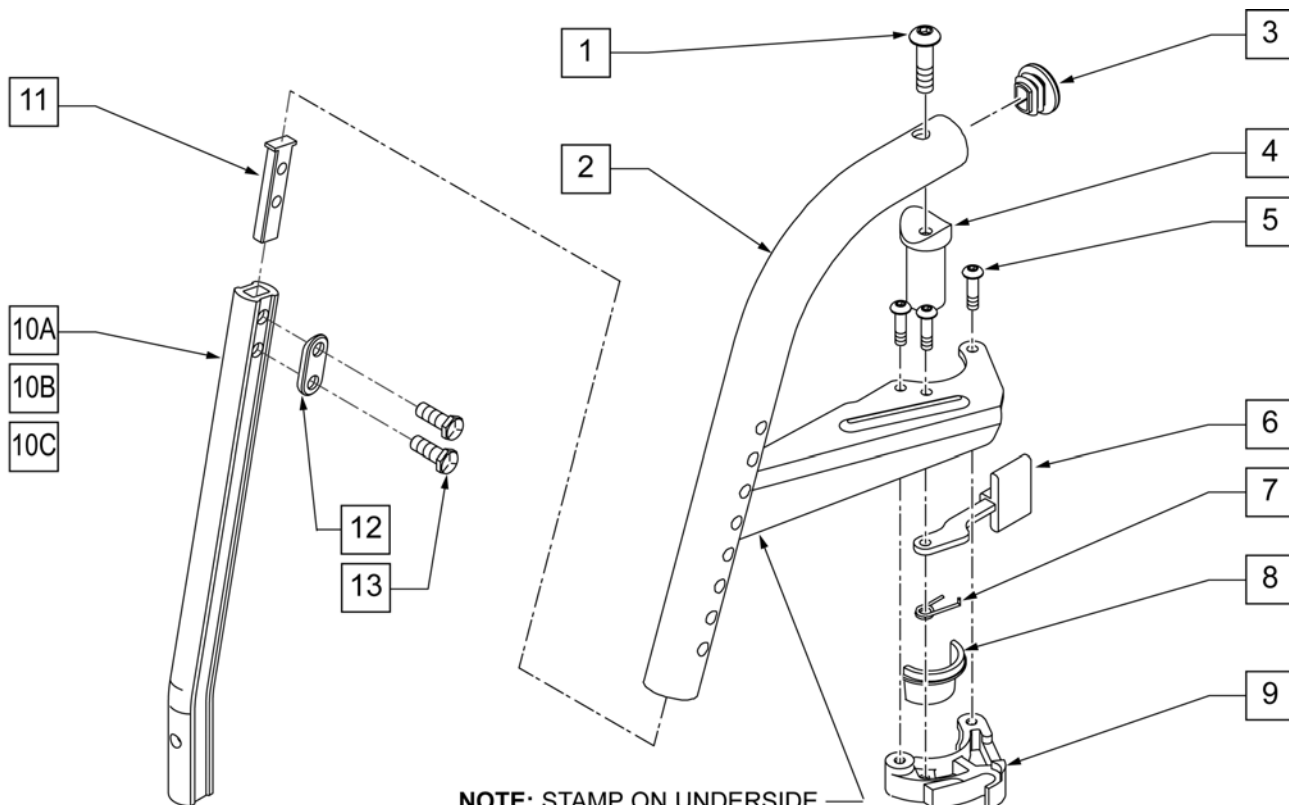
NOTE: DISCONTINUED ON LX/LXI AS OF 10/24/2008 -PARTS ONLY FOR CHAIRS BUILT PRIOR TO SERIAL NUMBER LX-034330.



Pos.	Item Number	Description	Remarks
1	226217	5/16-18 x 2" BH C/S BLK	
3	561378	END PLUG DBL "D" S525	
4	561197	PLASTIC PIVOT SADDLE	
5	226057	10-24 x .725 BH SOC BZ	
6	561079	S/A LATCH LEVER	
7	321136	S/A SPRING L RED	LEFT
7	321137	S/A SPRING R CLEAR	RIGHT
8,9	881500	LATCH BLOCK ASSM R	RIGHT
8,9	881501	LATCH BLOCK ASSM L	LEFT
10A	550819	EXT TBE S/A ONLY SHT	SHORT
10B	550820	EXT TBE S/A ONLY MED	MEDIUM
10C	550821	EXT TBE S/A ONLY LONG	LONG
11	500078	INSERT D2 EXT TUBE	
12	483717	HANGER SADDLE	
13	221102	1/4-28 x 3/4 HEX HEAD C/S BLK W/PTCH	

Pos.	Item Number	Description	Remarks
1-9	641550S	HANGER 60D R D2 PNT S/A BT	SPECIFY COLOR
1-9	641551S	HANGER 60D L D2 PNT S/A BT	SPECIFY COLOR
5-9	881521	S/A LATCH KIT CASTING	RIGHT
5-9	881522	S/A LATCH KIT CASTING	LEFT

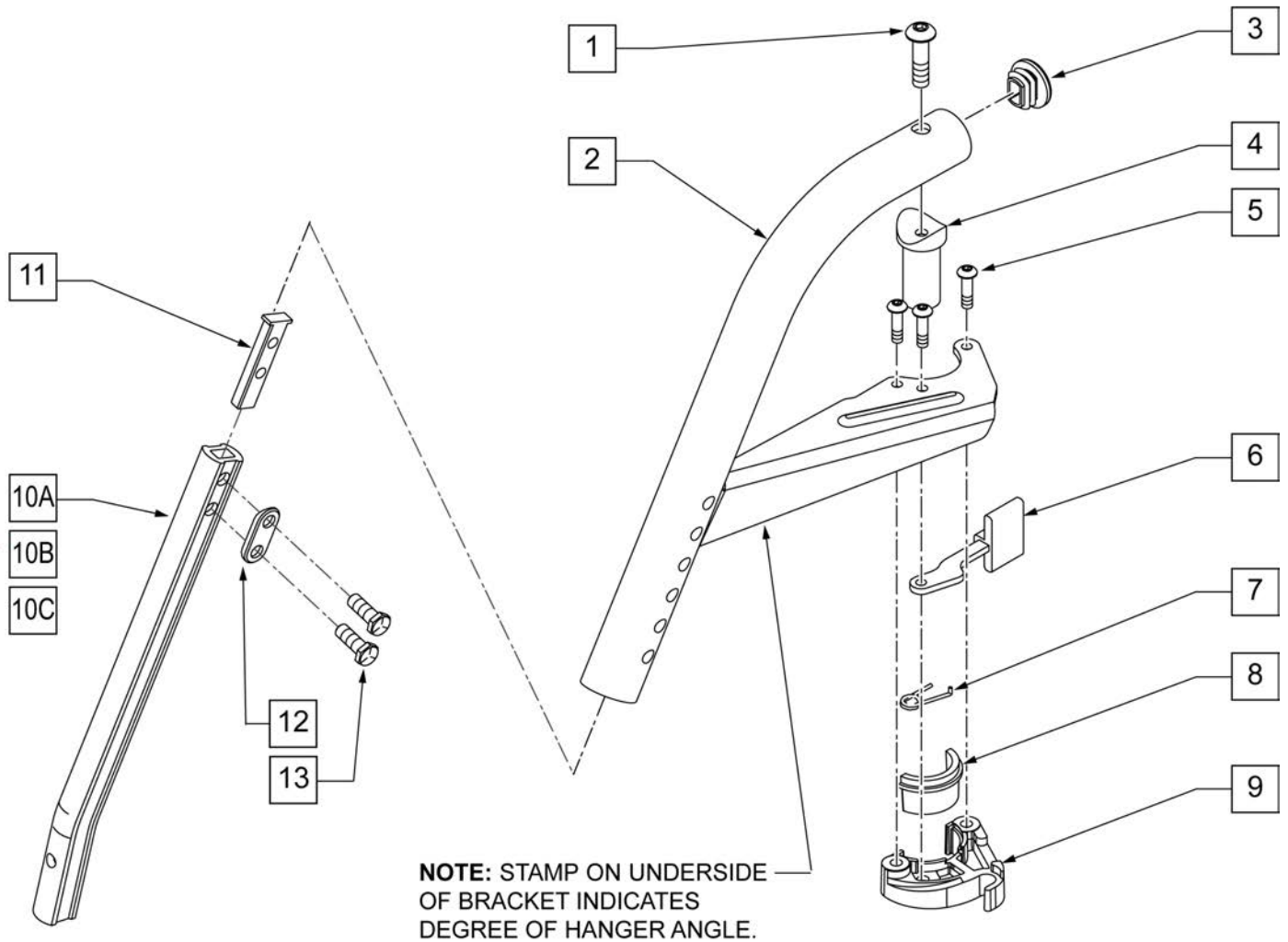
NOTE: DISCONTINUED ON LX/LXI AS OF 10/24/2008 -PARTS ONLY FOR CHAIRS BUILT PRIOR TO SERIAL NUMBER LX-034330.



NOTE: STAMP ON UNDERSIDE OF BRACKET INDICATES DEGREE OF HANGER ANGLE.

Pos.	Item Number	Description	Remarks
1	226217	5/16-18 x 2" BH C/S BLK	
3	561378	END PLUG DBL-D S525	
4	561197	PLASTIC PIVOT SADDLE	
5	226057	10-24 x .725 BH SOC BZ	
6	561079	S/A LATCH LEVER	
7	321136	S/A SPRING L RED	LEFT
7	321137	S/A SPRING R CLEAR	RIGHT
8,9	881500	LATCH BLOCK ASSM R	RIGHT
8,9	881501	LATCH BLOCK ASSM L	LEFT
10A	550819	EXT TBE S/A ONLY SHT	
10B	550820	EXT TBE S/A ONLY MED	
10C	550821	EXT TBE S/A ONLY LONG	
11	500078	INSERT D2 EXT TUBE	
12	483717	HANGER SADDLE	
13	221102	1/4-28 x 3/4 HEX HEAD C/S BLK W/PTCH	
1-9	641552S	HANGER 70D R D2 PNT S/A BT	SPECIFY COLOR
1-9	641553S	HANGER 70D L D2 PNT S/A BT	SPECIFY COLOR
5-9	881521	S/A LATCH KIT CASTING	RIGHT
5-9	881522	S/A LATCH KIT CASTING	LEFT

NOTE: DISCONTINUED ON LX/LXI 10/24/2008 -PARTS ONLY FOR CHAIRS BUILT PRIOR TO SERIAL NUMBER LX-034330.

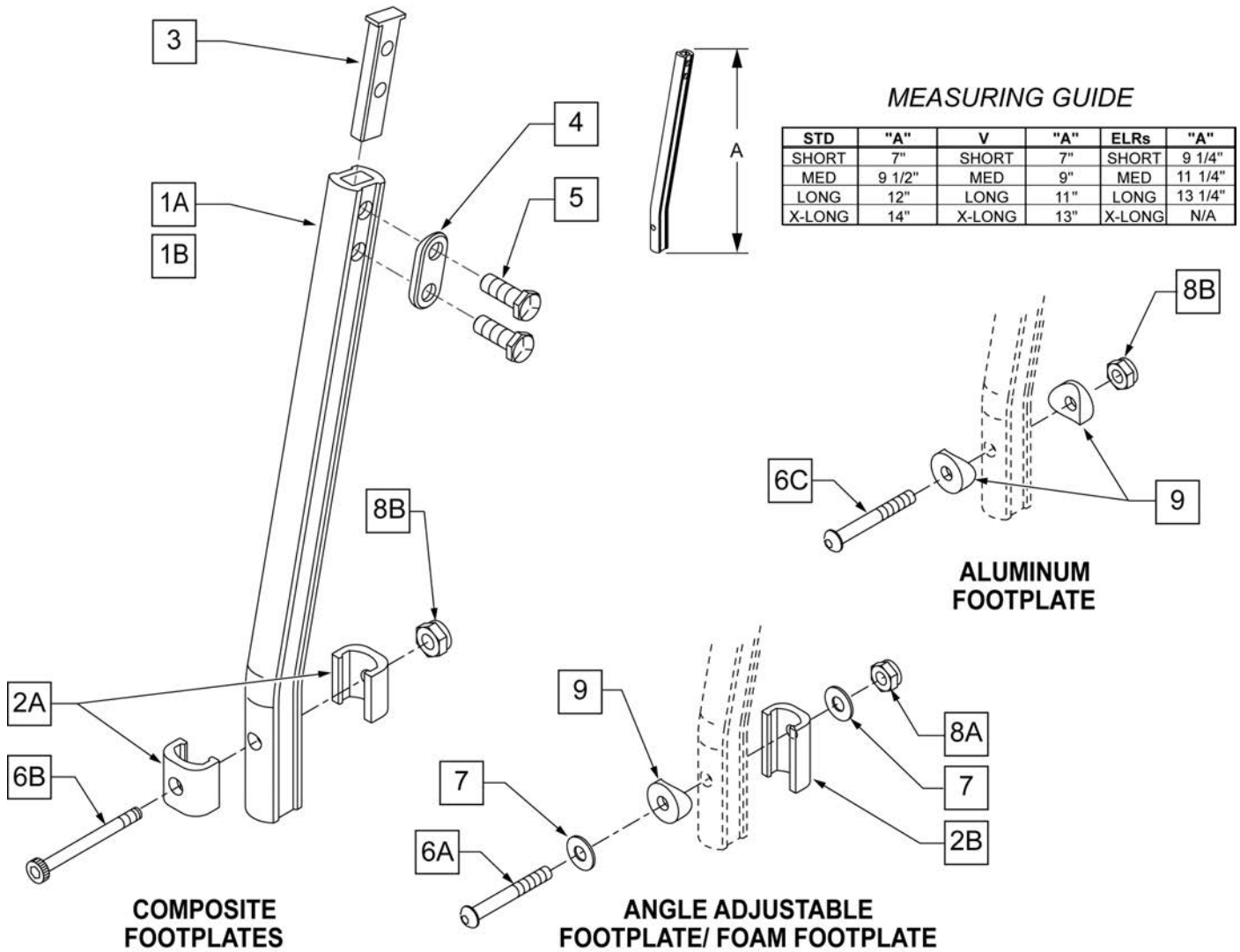


Pos.	Item Number	Description	Remarks
1	226217	5/16-18 x 2 BH C/S BLK	
3	561378	END PLUG DBL-D S525	
4	561197	PLASTIC PIVOT SADDLE	
5	226057	10-24 x .725 BH SOC BZ	
6	561079	S/A LATCH LEVER	
7	321136	S/A SPRING L RED	LEFT
7	321137	S/A SPRING R CLEAR	RIGHT
8,9	881500	LATCH BLOCK ASSM R	RIGHT
8,9	881501	LATCH BLOCK ASSM L	LEFT
10A	550834	EXT TBE INVIN ONLY D2 SHT R	RIGHT
10A	550835	EXT TBE INVIN ONLY D2 SHT L	LEFT
10B	550836	EXT TBE INVIN ONLY D2 MED R	RIGHT
10B	550837	EXT TBE INVIN ONLY D2 MED L	LEFT

Pos.	Item Number	Description	Remarks
10C	550838	EXT TBE INVIN ONLY D2 LNG R	RIGHT
10C	550839	EXT TBE INVIN ONLY D2 LNG L	LEFT
11	500078	INSERT D2 EXT TUBE	
12	483717	HANGER SADDLE	
13	221102	1/4-28 x 3/4 HEX HEAD C/S BLK W/PTCH	
1-9	641554S	HNGR 70D V R D2 PNT S/A BT	SPECIFY COLOR
1-9	641555S	HNGR 70D V L D2 PNT S/A BT	SPECIFY COLOR
5-9	881521	S/A LATCH KIT CASTING	RIGHT
5-9	881522	S/A LATCH KIT CASTING	LEFT

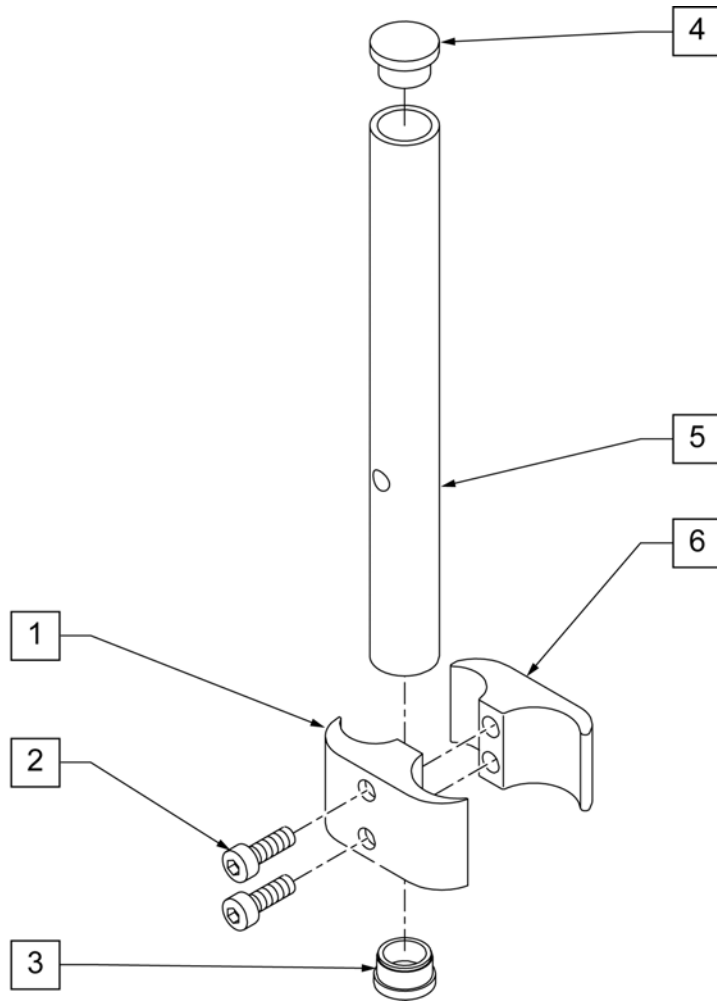
NOTE: IF REPLACING AN EXTENSION TUBE ON AN MANUAL ALR PLEASE REFER TO THE ROUND EXT TUBE PARTS MANUAL PAGE.

NOTE: WHEN ORDERING REPLACEMENT EXTENSION TUBES PLEASE VERIFY IF YOU HAVE THE OLD STYLE DOUBLE D EXTENSION TUBE OR THE NEW STYLE DOUBLE D EXTENSION TUBE. THIS CAN BE DONE BY REVIEWING THE HANGER THE EXTENSION TUBE IS USED ON. IF THE HANGER UTILIZES A SINGLE SET SCREW AT THE BOTTOM OF THE HANGER TUBE TO ATTACH THE EXTENSION TUBE TO THE HANGER, THEN THIS UTILIZES THE NEW STYLE DOUBLE D EXT TUBE ALL OTHER HANGERS REQUIRING A DOUBLE D EXTENSION TUBE UTILIZE THE OLD STYLE.



Pos.	Item Number	Description	Remarks
1A	550819	EXT TUBE S/A ONLY SHT	Short Ext-Swing Away Hanger
1A	550820	EXT TUBE S/A ONLY MED	Med Ext-Swing Away Hanger
1A	550821	EXT TUBE S/A ONLY LONG	Long Ext-Swing Away Hanger
1A	550822	EXT TUBE S/A ONLY X-LONG	X-Long Ext-Swing Away Hanger
1B	550834	EXT TUBE V IN ONLY D2 SHT R	Right Short Ext-Swing Away Hanger
1B	550835	EXT TUBE V IN ONLY D2 SHT L	Left Short Ext-Swing Away Hanger

Pos.	Item Number	Description	Remarks
1B	550836	EXT TUBE V IN ONLY D2 MED R	Right Med Ext-Swing Away Hanger
1B	550837	EXT TUBE V IN ONLY D2 MED L	Left Med Ext-Swing Away Hanger
1B	550838	EXT TUBE V IN ONLY D2 LONG R	Right Long Ext-Swing Away Hanger
1B	550839	EXT TUBE V IN ONLY D2 LONG L	Left Long Ext-Swing Away Hanger
1B	550840	EXT TUBE V IN ONLY D2 X-LONG R	Right X-Long Ext-Swing Away Hanger
1B	550841	EXT TUBE V IN ONLY D2 X-LONG L	Left X-Long Ext-Swing Away Hanger
2A	483718	HANGER EXTENSION SADDLE	USE W/ COMPOSITE FTPLT
2B	483720	HANGER EXTENSION SADDLE LONG	USE W/ ANGLE ADJ FTPLT
1C	550764	S/A HANGER EXT D2 SHORT BLACK	Short Ext ELR Hangers
1C	550765	S/A HANGER EXT D2 MED BLACK	Medium Ext ELR Hangers
1C	550766	S/A HANGER EXT D2 LONG BLACK	Long Ext ELR Hangers
3	500078	INSERT D2 EXT TUBE	
4	483717	HANGER SADDLE	
5	221102	1/4-28 x 3/4 HEX HEAD C/S BLK W/PTCH	
6A	106962	1/4-28 x 1 3/4 BH C/S BLK ZN	USE W/ ANGLE ADJ FTPLT
6B	226165	1/4 -28 x 2 1/2 SOC C/S	USE W/ COMPOSITE FTPLT
6C	226147	1/4 -28 X 1.85 BH C/S	
7	106945	1/4" SAE WASHER	
8A	106941	1/4 -28 AUTOMATION NUT	USE W/ ANGLE ADJ FTPLT
8B	106935	1/4 -28 NYLOCK NUT THIN	USE W/ COMPOSITE FTPLT
9	561055	3/4 SADDLE 1" OD	USE W/ ANGLE ADJ FTPLT
1A,2A-5	921759	EXT TUBE S/A SHT ASSM PCKT	USE W/ COMPOSITE FTPLT
1A,2A-5	921760	EXT TUBE S/A MED ASSM PCKT	USE W/ COMPOSITE FTPLT
1A,2A-5	921761	EXT TUBE S/A LONG ASSM PCKT	USE W/ COMPOSITE FTPLT
1A,2A-5	921762	EXT TUBE S/A X-LONG ASSM PCKT	USE W/ COMPOSITE FTPLT
1B,2A-5	921751	EXT TUBE "V" D2 SHT R ASSM PCKT	RIGHT - USE W/ COMPOSITE FTPLT V HANGER
1B,2A-5	921752	EXT TUBE "V" D2 SHT L ASSM PCKT	LEFT - USE W/ COMPOSITE FTPLT V HANGER
1B,2A-5	921753	EXT TUBE "V" D2 MED R ASSM PCKT	RIGHT - USE W/ COMPOSITE FTPLT V HANGER
1B,2A-5	921754	EXT TUBE "V" D2 MED L ASSM PCKT	LEFT - USE W/ COMPOSITE FTPLT V HANGER
1B,2A-5	921755	EXT TUBE "V" D2 LONG R ASSM PCKT	RIGHT - USE W/ COMPOSITE FTPLT V HANGER
1B,2A-5	921756	EXT TUBE "V" D2 LONG L ASSM PCKT	LEFT - USE W/ COMPOSITE FTPLT V HANGER
1B,2A-5	921757	EXT TUBE "V" D2 X-LONG R ASSM PCKT	RIGHT - USE W/ COMPOSITE FTPLT V HANGER
1B,2A-5	921758	EXT TUBE "V" D2 X-LONG L ASSM PCKT	LEFT - USE W/ COMPOSITE FTPLT V HANGER
1A,2A-7,9	921772	EXT TUBE S/A SHT ANG ADJ PCKT	USE W/ ANGLE ADJ FTPLT
1A,2A-7,9	921773	EXT TUBE S/A MED ANG ADJ PCKT	USE W/ ANGLE ADJ FTPLT
1A,2A-7,9	921774	EXT TUBE S/A LONG ANG ADJ PCKT	USE W/ ANGLE ADJ FTPLT
1A,2A-7,9	921775	EXT TUBE S/A X-LONG ANG ADJ PCKT	USE W/ ANGLE ADJ FTPLT
1B,2A-7,9	921764	EXT TUBE "V" D2 SHT R ANG ADJ PCKT	RIGHT - USE W/ ANGLE ADJ FTPLT V HANGER
1B,2A-7,9	921765	EXT TUBE "V" D2 SHT L ANG ADJ PCKT	LEFT - USE W/ ANGLE ADJ FTPLT V HANGER
1B,2A-7,9	921766	EXT TUBE "V" D2 MED R ANG ADJ PCKT	RIGHT - USE W/ ANGLE ADJ FTPLT V HANGER
1B,2A-7,9	921767	EXT TUBE "V" D2 MED L ANG ADJ PCKT	LEFT - USE W/ ANGLE ADJ FTPLT V HANGER
1B,2A-7,9	921768	EXT TUBE "V" D2 LONG R ANG ADJ PCKT	RIGHT - USE W/ ANGLE ADJ FTPLT V HANGER
1B,2A-7,9	921769	EXT TUBE "V" D2 LONG L ANG ADJ PCKT	LEFT - USE W/ ANGLE ADJ FTPLT V HANGER
1B,2A-7,9	921770	EXT TUBE "V" D2 X-LONG R ANG AD PCKT	RIGHT - USE W/ ANGLE ADJ FTPLT V HANGER
1B,2A-7,9	921771	EXT TUBE "V" D2 X-LONG L ANG AD PCKT	LEFT - USE W/ ANGLE ADJ FTPLT V HANGER



Pos.	Item Number	Description	Remarks
1	550657	CLAMP 1 1/4" RECESS FULL BLK	
2	107032	SHCS 1/4-28 X 1 ROHS	
3	561000-QU	3/4" INSERT PLUG .083	
4	482016	HIGH-MOUNT FL FT TUBE PLUG	
5	524100	H/M FL FT EXT TUBE BLK	
6	550658	CLAMP 1 1/4" THREADED BLK	
1,2,6	880538	HI-MOUNT FR CLAMP ASSEMBLY BLK	
1-6	921550S	H/M FL FT CLAMPS AND TUBES (PR)	Pair

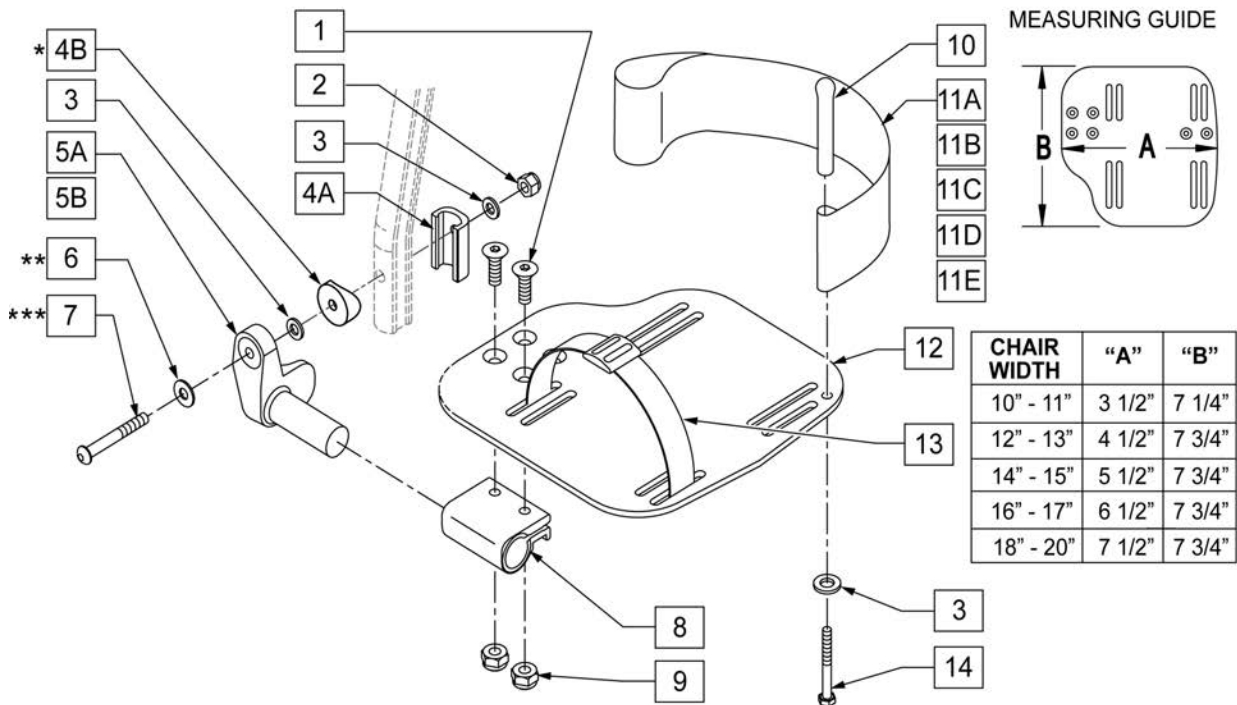
NOTE: FOR HIGH-MOUNT ADULT ANGLE-ADJUSTABLE FOOTPLATE, SEE "HIGH-MOUNT EXTENSION TUBE" PAGE.

NOTE: ORDER ITEM 4B FOR CHAIRS PRIOR TO 8/13/01.

NOTE: ONLY 1 WASHER PRIOR TO 8/13/01.

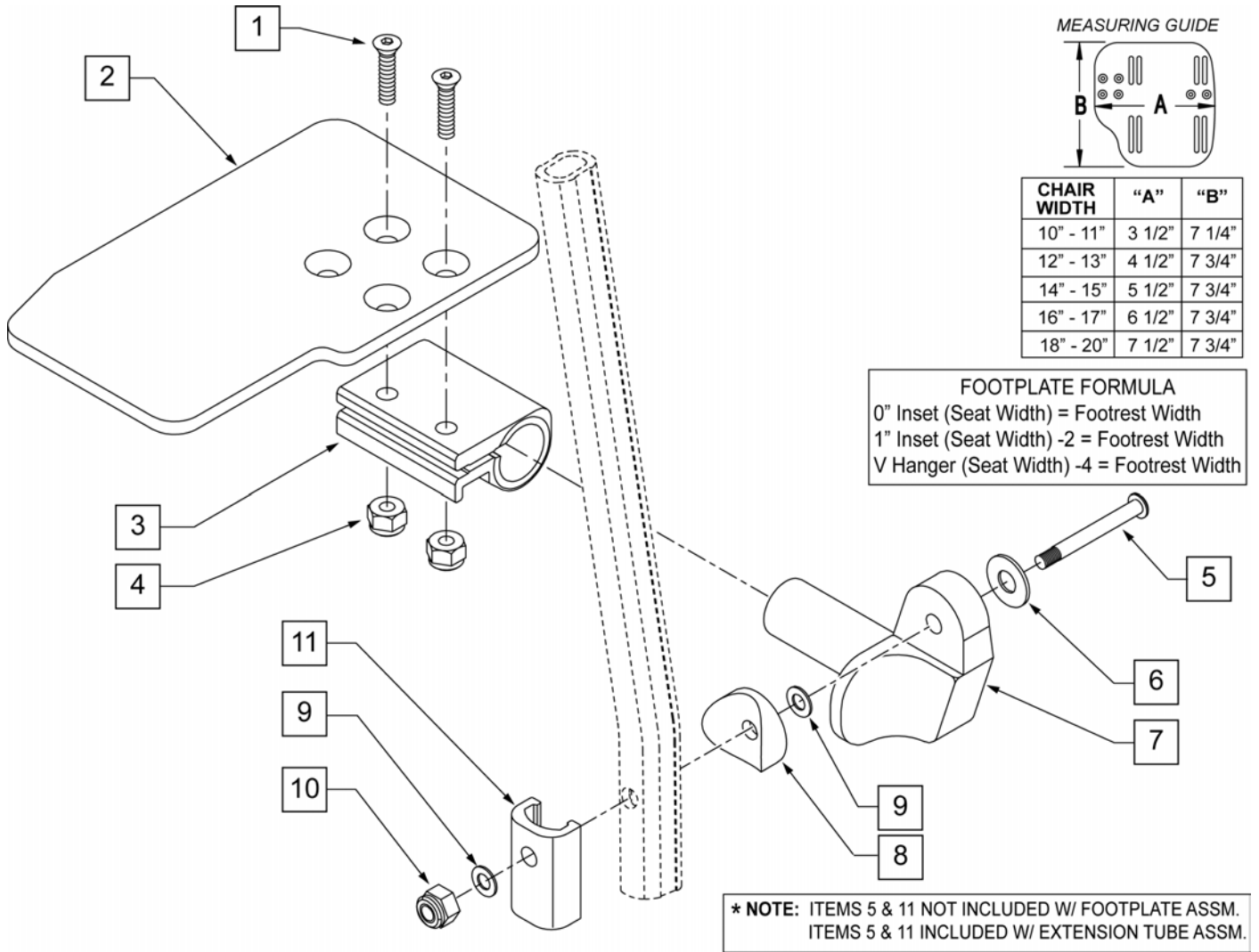
NOTE: ORDER PART 226167 PRIOR TO 8/13/01.

NOTE: See attached REFERENCE GUIDE.



Pos.	Item Number	Description	Remarks
1	106978	1/4-28 x 7/8 FH C/S	
2	106941	1/4-28 AUTOMATION NUT	

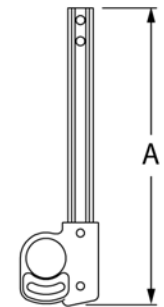
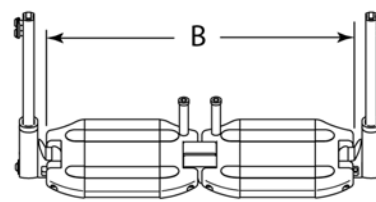
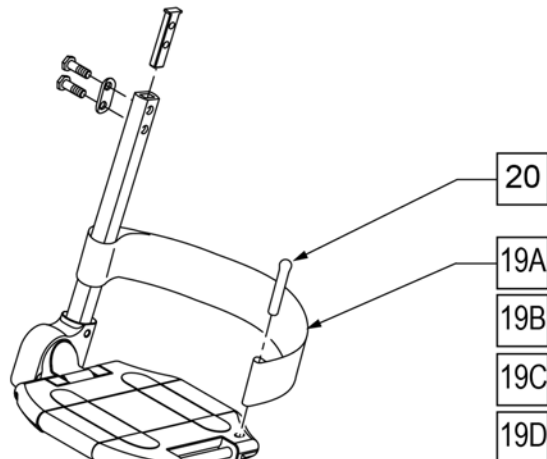
Pos.	Item Number	Description	Remarks
3	106943	WASHER FLAT AN 1/4 ROHS	
4A	483720	HANGER EXTENSION SADDLE LONG	USE W/ DOUBLE D EXT TUBE
4B	561055	3/4" SADDLE 1" OD	USE W/ ROUND EXT TUBE
5	541002	FTRST MOUNTING BRKT-3/8 RAD R	RIGHT
5	541003	FTRST MOUNTING BRKT-3/8 RAD L	LEFT
6	106945	WASHER FLAT SAE 1/4 ROHS	
7A	106962	BHCS 1/4-28 X 1-3/4 ROHS	USE W/ DOUBLE D EXT TUBE
7B	226167	1/4-28 x 1.625 BH C/S BLK	USE W/ ROUND EXT TUBE
8	550350	3/4" CLMP ADJ FT PLT	
9	106935	NUT NYLOCK THIN 1/4-28 ROHS	
10	561040	HEEL LOOP PEG	
11A	741154	HEEL LOOP 14-15 CMPST HEMI	USED W/ 10-11" ADULT ANG ADJ FTPLTS
11B	741155	HEEL LOOP 16-17 CMPST HEMI	USED W/ 12 -13" ADULT ANG ADJ FTPLTS
11C	741153	H/L 18-20 CMPST/14-15 ANG ADJ	USED W/ 14-15"/16-17" ADULT ANG ADJ FTPLTS
11D	741253	HEEL LOOP ADLT ADJ F/PLT 18-20	USED W/ 18 -20" ADULT ANG ADJ FTPLTS
12	500656	ADLT ANGL ADJ F/PLT 10/11" R	RIGHT
12	500657	ADLT ANGL ADJ F/PLT 10/11" L	LEFT
12	500658	ADLT ANGL ADJ F/PLT 12/13" R	RIGHT
12	500659	ADLT ANGL ADJ F/PLT 12/13" L	LEFT
12	500660	ADLT ANGL ADJ F/PLT 14/15	RIGHT
12	500661	ADLT ANGL ADJ F/PLT 14/15	LEFT
12	500662	ADLT ANGL ADJ F/PLT 16/17	RIGHT
12	500663	ADLT ANGL ADJ F/PLT 16/17	LEFT
12	500664	ADLT ANGL ADJ F/PLT 18-20	RIGHT
12	500665	ADLT ANGL ADJ F/PLT 18-20	LEFT
13	740260	TOE/ANKLE STRAP ADJ ADLT F/PLT	
14	106958	1/4-20 x 1 HEX C/S	
1-3,5,6,8,9,12	820526	AD ANG ADJ F/PLT R 12"/13" OMIT HL	RIGHT
1-3,5,6,8,9,12	820536	AD ANG ADJ F/PLT L 12"/13" OMT HL	LEFT
1-3,5,6,8,9,12	820460	FP ADLT ADJ 14/15 OMIT HL	RIGHT
1-3,5,6,8,9,12	820462	FP ADLT ADJ 14/15 OMIT HL	LEFT
1-3,5,6,8,9,12	820464	FP ADLT ADJ 16/17 OMIT HL	RIGHT
1-3,5,6,8,9,12	820466	FP ADLT ADJ 16/17 OMIT HL	LEFT
1-3,5,6,8,9,12	820468	FP ADLT ADJ 18-20 OMIT HL	RIGHT
1-3,5,6,8,9,12	820470	FP ADLT ADJ 18-20 OMIT HL	LEFT
1-3,5,6,8,9,12	921466	ADLT ANGL ADJ F/PLT 12"/13" OMIT HL	PAIR
1-3,5,6,8,9,12	921320	FP ADLT ADJ 14/15 OMIT HL	PAIR
1-3,5,6,8,9,12	921322	FP ADLT ADJ 16/17 OMIT HL	PAIR
1-3,5,6,8,9,12	921324	FP ADLT ADJ 18-20 OMIT HL	PAIR
1-3,5,6,8,9,12	820522	AD ANGL ADJ F/PLT R 12/13" H/L	RIGHT
1-3,5,6,8,9,12	820532	AD ANGL ADJ F/PLT L 12/13" H/L	LEFT
1-3,5,6,8-10,11C, 12,14	820461	FP ADLT ADJ 14/15 HL	RIGHT
1-3,5,6,8-10,11C, 12,14	820463	FP ADLT ADJ 14/15 HL	LEFT
1-3,5,6,8-10,11C, 12,14	820465	FP ADLT ADJ 16/17 HL	RIGHT
1-3,5,6,8-10,11C, 12,14	820467	FP ADLT ADJ 16/17 HL	LEFT
1-3,5,6,8-10,11D, 12,14	820469	FP ADLT ADJ 18-20 HL	RIGHT
1-3,5,6,8-10,11D, 12,14	820471	FP ADLT ADJ 18-20 HL	LEFT
1-3,5,6,8-10,11B, 12,14	921462	ADLT ANGL ADJ F/PLATE 12"/13" HL	PAIR
1-3,5,6,8-10,11C, 12,14	921321	FP ADLT ADJ 14/15 HL	PAIR
1-3,5,6,8-10,11C, 12,14	921323	FP ADLT ADJ 16/17 HL	PAIR
1-3,5,6,8-10,11D, 12,14	921325	FP ADLT ADJ 18-20 HL	PAIR
1-3,6,7A,9-10,14	101533	ADLT ANG ADJ FP D2 HDWR KIT	FOR DOUBLE D EXT TUBES
1-3B,4B,6,7B,9,10,14	101534	ADLT ANG ADJ FP RND HDWR KIT	FOR ROUND EXT TUBES (Q2 HP ONLY)



Pos.	Item Number	Description	Remarks
1	106978	FHCS 1/4 -28 x 7/8 ROHS	
2	500635	KIDS ANGL ADJ F/PLT 10" R	Right
2	500636	KIDS ANGL ADJ F/PLT 10" L	Left
2	500637	KIDS ANGL ADJ F/PLT 11" R	Right
2	500638	KIDS ANGL ADJ F/PLT 11" L	Left
2	500639	KIDS ANGL ADJ F/PLT 12" R	Right
2	500640	KIDS ANGL ADJ F/PLT 12" L	Left
2	500641	KIDS ANGL ADJ F/PLT 13" R	Right
2	500642	KIDS ANGL ADJ F/PLT 13" L	Left
2	500643	KIDS ANGL ADJ F/PLT 14" R	Right
2	500644	KIDS ANGL ADJ F/PLT 14" L	Left
2	500645	KIDS ANGL ADJ F/PLT 15" R	Right
2	500646	KIDS ANGL ADJ F/PLT 15" L	Left
2	500647	KIDS ANGL ADJ F/PLT 16" R	Right
2	500648	KIDS ANGL ADJ F/PLT 16" L	Left
3	550350	3/4" CLAMP ADJ FOOTPLATE	
4	106935	NUT NYLOCK THIN 1/4 -28 ROHS	
5	106962	1/4-28 x 1 3/4 BH C/S BLK ZN (D2 EXTENSION TUBES)	

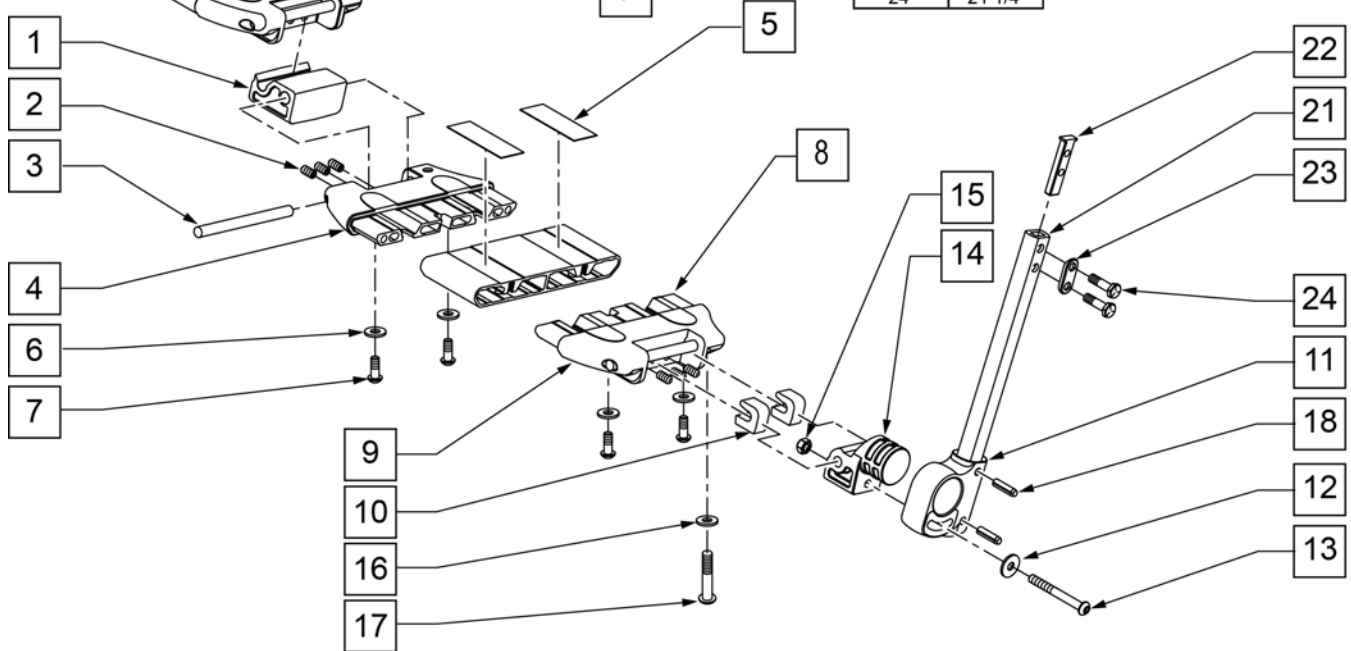
Pos.	Item Number	Description	Remarks
5	226167	1/4-28 x 1.625 BH C/S BLK (ROUND EXTENSION TUBES)	
6	106945	1/4 SAE WASHER	
7	541002	FTRST MOUNTING BRKT-3/8 RAD R	
7	541003	FTRST MOUNTING BRKT-3/8 RAD L	
8	561055	3/4" SADDLE 1" OD	
9	106944	WASHER FLAT THIN AN 1/4 ROHS	
10	106941	NUT AUTOMATION 1/4 -28 ROHS	
1-7,9,10	828850	KIDS ANG ADJ F/PLT EXT-MNT 10"R	Right
1-7,9,10	828851	KIDS ANG ADJ F/PLT EXT-MNT 10"L	Left
1-7,9,10	828852	KIDS ANG ADJ F/PLT EXT-MNT 11"R	Right
1-7,9,10	828853	KIDS ANG ADJ F/PLT EXT-MNT 11"L	Left
1-7,9,10	828854	KIDS ANG ADJ F/PLT EXT-MNT 12"R	Right
1-7,9,10	828855	KIDS ANG ADJ F/PLT EXT-MNT 12"L	Left
1-7,9,10	828856	KIDS ANG ADJ F/PLT EXT-MNT 13"R	Right
1-7,9,10	828857	KIDS ANG ADJ F/PLT EXT-MNT 13"L	Left
1-7,9,10	828858	KIDS ANG ADJ F/PLT EXT-MNT 14"R	Right
1-7,9,10	828859	KIDS ANG ADJ F/PLT EXT-MNT 14"L	Left
1-7,9,10	828860	KIDS ANG ADJ F/PLT EXT-MNT 15"R	Right
1-7,9,10	828861	KIDS ANG ADJ F/PLT EXT-MNT 15"L	Left
1-7,9,10	828862	KIDS ANG ADJ F/PLT EXT-MNT 16"R	Right
1-7,9,10	828863	KIDS ANG ADJ F/PLT EXT-MNT 16"L	Left
1-7,9,10	921280	KIDS ANG ADJ F/PLT EXT-MNT 10"	Pair
1-7,9,10	921281	KIDS ANG ADJ F/PLT EXT-MNT 11"	Pair
1-7,9,10	921282	KIDS ANG ADJ F/PLT EXT-MNT 12"	Pair
1-7,9,10	921283	KIDS ANG ADJ F/PLT EXT-MNT 13"	Pair
1-7,9,10	921284	KIDS ANG ADJ F/PLT EXT-MNT 14"	Pair
1-7,9,10	921285	KIDS ANG ADJ F/PLT EXT-MNT 15"	Pair
1-7,9,10	921286	KIDS ANG ADJ F/PLT EXT-MNT 16"	Pair

MEASURING GUIDE



Footplate Width	Dim B
15"	12 1/4"
16"	13 1/4"
17"	14 1/4"
18"	15 1/4"
19"	16 1/4"
20"	17 1/4"
22"	19 1/4"
24"	21 1/4"

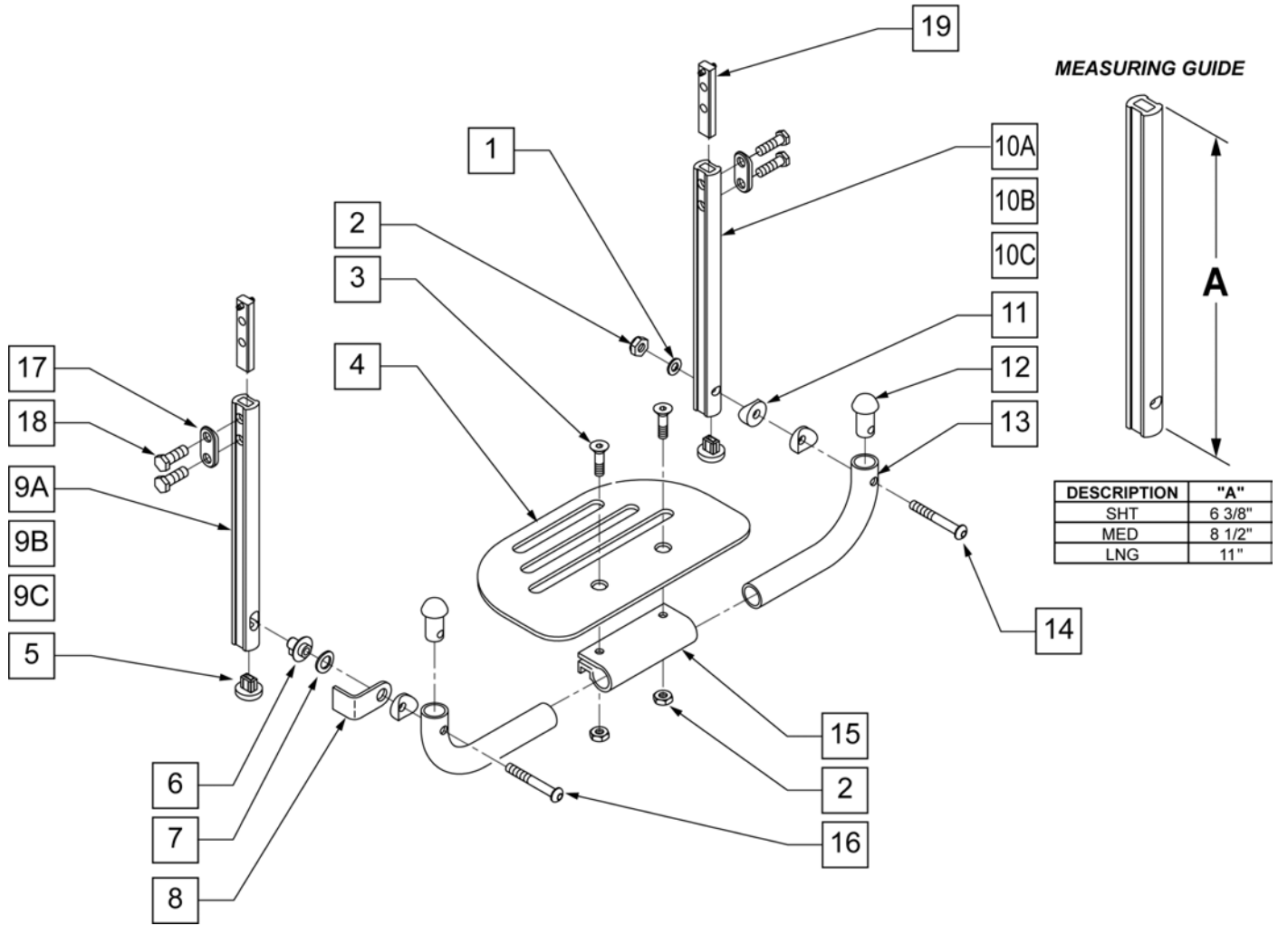
	DIM "A"
SHORT	6 1/2"
MED	8 1/2"
MNL LNG	10 1/2"



Pos.	Item Number	Description
2	230030	M6 x 12 SET SCREW CUP POINT
3	481283	PIN 8MM x 100 MM
5	360010	FOOT BOARD SKID TAPE
6	106943	1/4 AN WASHER FLAT
7	230032	M6 x 16 B/H CAP SCREW
9	560019	FOOT BOARD HOLDER R
9	560020	FOOT BOARD HOLDER L
10	560021	FOOT BOARD SHIM ALIGNMENT
11	560024	FOOT YOKE
12	250070	M6 WASHER
13	210000	M6 x 55 8.8 BUTTON HD CAP SCRW
14	560023	FOOT BOARD BEARING SUPPORT
15	200113	NUT HEX NYLOCK M6 X 1 NUT
16	106944	1/4 AN WASHER FLAT THIN
17	106958	1/4-20 x 1 HEX C/S
18	349583	6 x 25MM GROOVED PIN

Pos.	Item Number	Description
19A	741151	HEEL LOOP 14-15 CMPST EA 13.24 44
19B	741153	HEEL LOOP 18-20 CMPST/14-15 ANG ADJ
19C	741156	HEEL LOOP 18-20 CMPST
19D	741253	HEEL LOOP ADLT ADJ F/PLT 18-20
20	561040	HEEL LOOP PEG
21A	550831	EXT TBE PLTFRM ONLY SHT
21B	550832	EXT TBE PLTFRM ONLY MED
21C	550842	EXT TBE PLTFRM ONLY MNL LNG
22	500078	INSERT D2 EXT TUBE
23	483717	HANGER SADDLE
24	221102	1/4-28 x 3/4 HEX HEAD C/S BLK W/PTCH
11,18,21-24	921748	EXT TBE PLTFRM SHT ASSM PCKT
11,18,21-24	921749	EXT TBE PLTFRM MED ASSM PCKT
11,18,21-24	900368	EXT TBE PLTFRM MNL LNG PACKET
1-10,12-16,19,20	820620	LOCKING FTPLT 15 W LEFT
1-10,12-16,19,20	820621	LOCKING FTPLT 15 W RIGHT
1-10,12-16,19,20	820622	LOCKING FTPLT 16 W LEFT
1-10,12-16,19,20	820623	LOCKING FTPLT 16 W RIGHT
1-10,12-16,19,20	820624	LOCKING FTPLT 17 W LEFT
1-10,12-16,19,20	820625	LOCKING FTPLT 17 W RIGHT
1-10,12-16,19,20	820626	LOCKING FTPLT 18 W LEFT
1-10,12-16,19,20	820627	LOCKING FTPLT 18 W RIGHT
1-10,12-16,19,20	820628	LOCKING FTPLT 19 W LEFT
1-10,12-16,19,20	820629	LOCKING FTPLT 19 W RIGHT
1-10,12-16,19,20	820630	LOCKING FTPLT 20 W LEFT
1-10,12-16,19,20	820631	LOCKING FTPLT 20 W RIGHT
1-10,12-16,19,20	820632	LOCKING FTPLT 22 W LEFT
1-10,12-16,19,20	820633	LOCKING FTPLT 22 W RIGHT
1-24	900280	LOCKING FTPLT 15" W/ SHT EXT ASSM
1-24	900281	LOCKING FTPLT 16" W/ SHT EXT ASSM
1-24	900282	LOCKING FTPLT 17" W/ SHT EXT ASSM
1-24	900283	LOCKING FTPLT 18" W/ SHT EXT ASSM
1-24	900284	LOCKING FTPLT 19" W/ SHT EXT ASSM
1-24	900285	LOCKING FTPLT 20" W/ SHT EXT ASSM
1-24	900763	LCKNG FTPLT 21" W/SHT EXT ASSM
1-24	900763	LOCKING FTPLT 21" W/ SHT EXT ASSM
1-24	900286	LOCKING FTPLT 22" W/ SHT EXT ASSM
1-24	900287	LCKNG FTPLT 24" W/SHT EXT ASSM
1-24	900290	LOCKING FTPLT 15" W/ MED EXT ASSM
1-24	900291	LOCKING FTPLT 16" W/ MED EXT ASSM
1-24	900292	LOCKING FTPLT 17" W/ MED EXT ASSM
1-24	900293	LOCKING FTPLT 18" W/ MED EXT ASSM
1-24	900294	LOCKING FTPLT 19" W/ MED EXT ASSM
1-24	900295	LOCKING FTPLT 20" W/ MED EXT ASSM
1-24	900296	LOCKING FTPLT 22" W/ MED EXT ASSM
1-24	900762	LOCKING FTPLT 21" W /MED EXT ASSM
1-24	900297	LCKNG FTPLT 24" W/MED EXT ASSM
1-24	900360	LOCKING FTPLT 15" W/ MNL LONG EXT
1-24	900361	LOCKING FTPLT 16" W/ MNL LONG EXT
1-24	900362	LOCKING FTPLT 17" W/ MNL LONG EXT
1-24	900363	LOCKING FTPLT 18" W/ MNL LONG EXT
1-24	900364	LOCKING FTPLT 19" W/ MNL LONG EXT
1-24	900365	LOCKING FTPLT 20" W/ MNL LONG EXT
1-24	900366	LOCKING FTPLT 21" W/ MNL LONG EXT
1-24	900367	LOCKING FTPLT 22" W/ MNL LONG EXT

NOTE: * FOR ORDERING INFORMATION, PLEASE SEE "PLATFORM FLIP-UP FOOTREST REFERENCE GUIDE" ATTACHED.

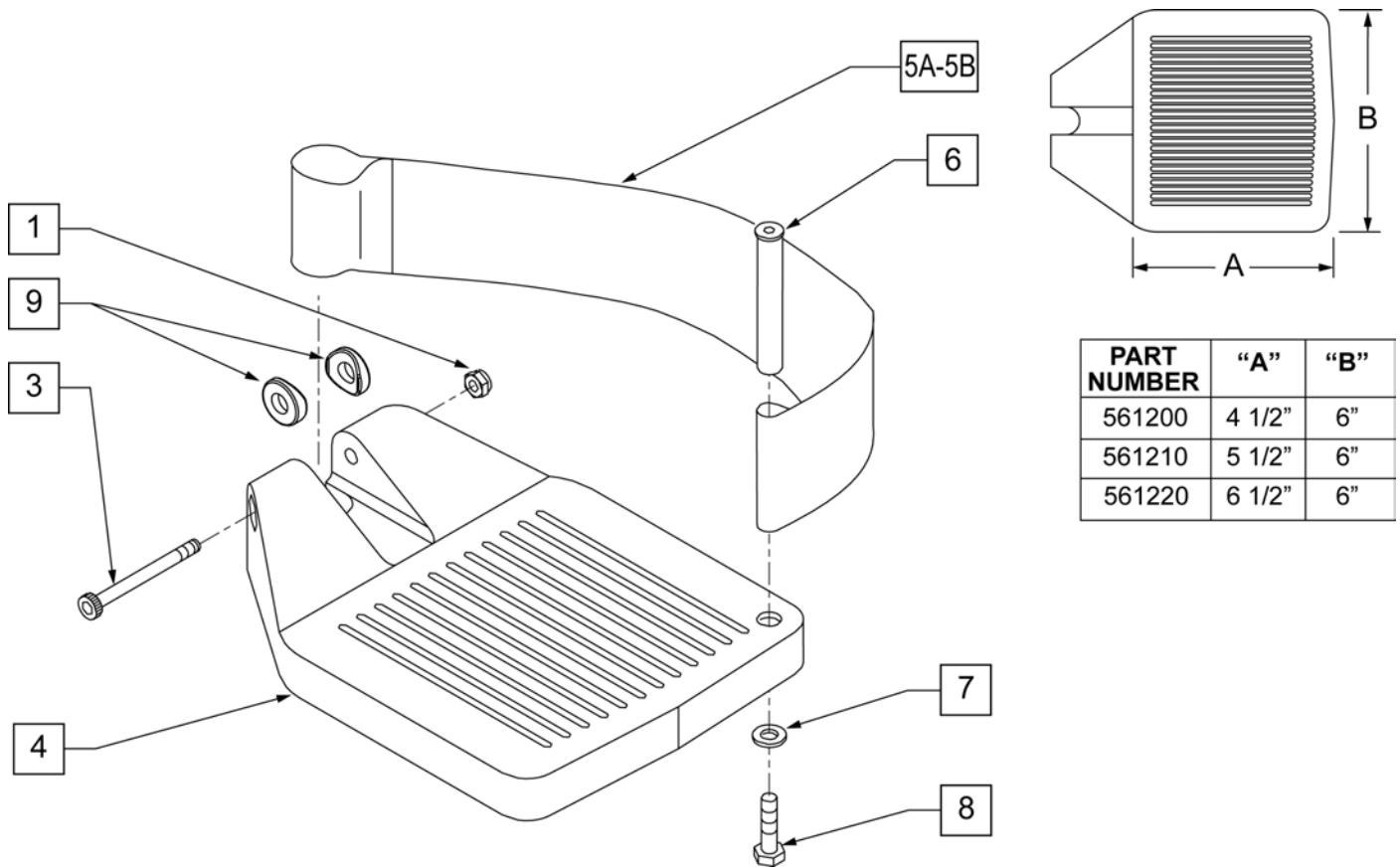


Pos.	Item Number	Description	Remarks
1	106944	1/4 AN WASHER FLAT THIN	
2	106941	1/4-28 AUTOMATION NUT	
3	106978	FHCS 1/4-28 X 7/8 ROHS	
4	500650	PLATFORM F/PLT 6" x 5 1/2"	
4	500651	PLATFORM F/PLT 8" x 5 1/2"	
4	500652	PLATFORM F/PLT 10" x 5 1/2"	
4	500653	PLATFORM F/PLT 12" x 5 1/2"	
4	500654	PLATFORM F/PLT 14" x 5 1/2"	
5	113221	PLUD DOUBLE D EXT TUBE	
6	540410	F/UP FOOTREST KEY STUD D2	
7	262137	3/8 WASHER CURVED	
8	505078	FOOTREST RETAINING BRACKET	
9C	550830	EXT TUBE F/UP KEY ONLY LONG	

Pos.	Item Number	Description	Remarks
9A	550828	EXT TUBE F/UP KEY ONLY SHORT	
9B	550829	EXT TUBE F/UP KEY ONLY MED	
10C	550827	EXT TUBE F/UP SLT ONLY LONG	
10A	550825	EXT TUBE F/UP SLT ONLY SHORT	
10B	550826	EXT TUBE F/UP SLT ONLY MED	
11	561003	3/4" SADDLE THIN	
12	561034	SHORT DOME PLUG	
14	106964	1/4-28 x 2 BH C/S	
15	550351	PLATFORM FOOTPLATE CLAMP	
16	226131	1/4-28 x 1 1/4 BH C/S SHLDR	
17	483717	HANGER SADDLE	
18	221102	1/4-28 x 3/4 HEX C/S	
19	500078	INSERT D2 EXT TUBE	
5,10A, 17-19	921742	EXT TBE F/UP SLT SHT ASSM PCKT	Pivot side
5,10B, 17-19	921743	EXT TBE F/UP SLT MED ASSM PCKT	Pivot side
5,10C, 17-19	921744	EXT TBE F/UP SLT LNG ASSM PCKT	Pivot side
5,9A, 17-19	921745	EXT TBE F/UP KEY SHT ASSM PCKT	Release side
5,9B, 17-19	921746	EXT TBE F/UP KEY MED ASSM PCKT	Release side
5,9C, 17-19	921747	EXT TBE F/UP KEY LNG ASSM PCKT	Release side
5,9A,10A, 17-19	921269	S/A EXT TUBE D2 SHT PLTFRM BLK	Pivot and Release Ext Assm
5,9B,10B, 17-19	921267	S/A EXT TUBE D2 MED PLTFRM BLK	Pivot and Release Ext Assm
5,9C,10C, 17-19	921268	S/A EXT TUBE D2 LNG PLTFRM BLK	Pivot and Release Ext Assm
1-4,6-8, 11-16	900304	PLATFM F/P F/PLT BLK 10" ASSM D2	
1-4,6-8, 11-16	900305	PLATFM F/P F/PLT BLK 11" ASSM D2	
1-4,6-8, 11-16	900306	PLATFM F/P F/PLT BLK 12" ASSM D2	
1-4,6-8, 11-16	900307	PLATFM F/P F/PLT BLK 13" ASSM D2	
1-4,6-8, 11-16	900308	PLATFM F/P F/PLT BLK 14" ASSM D2	
1-4,6-8, 11-16	900309	PLATFM F/P F/PLT BLK 15" ASSM D2	
1-4,6-8, 11-16	900310	PLATFM F/P F/PLT BLK 16" ASSM D2	
1-4,6-8, 11-16	900311	PLATFM F/P F/PLT BLK 17" ASSM D2	
1-4,6-8, 11-16	900312	PLATFM F/P F/PLT BLK 18" ASSM D2	
1-4,6-8, 11-16	900313	PLATFM F/P F/PLT BLK 19" ASSM D2	
1-4,6-8, 11-16	900314	PLATFM F/P F/PLT BLK 20" ASSM D2	
1-4,6-8, 11-16	900315	PLATFM F/P F/PLT BLK 21" ASSM D2	
1-4,6-8, 11-16	900316	PLATFM F/P F/PLT BLK 22" ASSM D2	

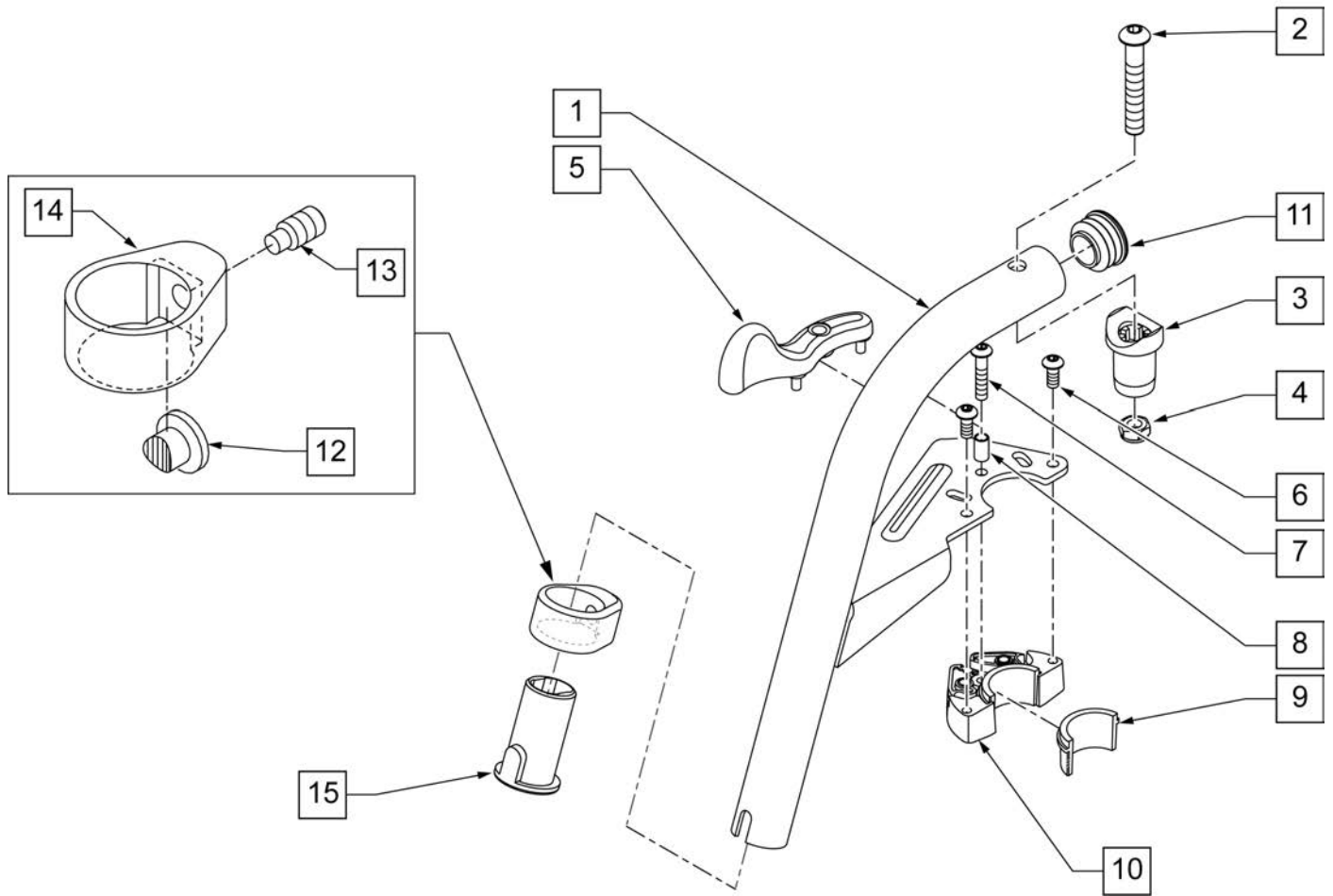
COMPOSITE FOOTPLATE

[10/2011]

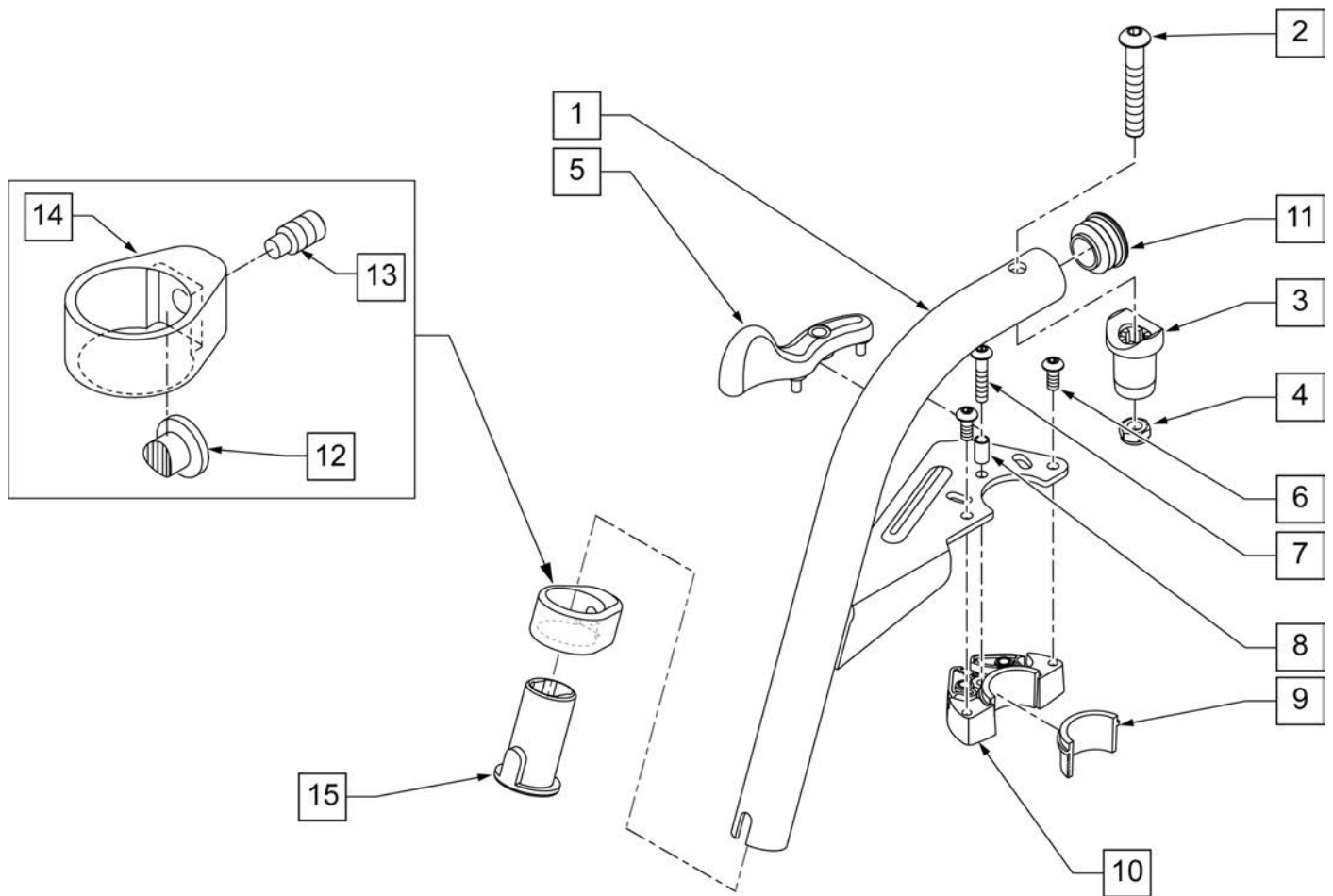


Pos.	Item Number	Description	Remarks
1	106935	1/4 - 28 NYLOCK NUT	
3	226165	1/4 - 28 x 2 1/2 SOC C/S	
4	561200	COMPOSITE FOOTPLATE 14 -15 (16 -18 V)	14 -15 OR 16 -18V
4	561210	COMPOSITE FOOTPLATE 16 -17 (19 -20 V)	16 -17 OR 19 -20V
4	561220	COMPOSITE FOOTPLATE 18 -20	18 -20
5A	741151	HEEL LOOP 14-15 COMPOSITE (14 -15 or 16 -18V)	14 -15 OR 16 -18V
5A	741156	HEEL LOOP 16 -17 or 19 -20V	16 -17 OR 19 -20V
5A	741153	HEEL LOOP 18-20 COMPOSITE/14-15 ANG ADJ	18 -20
5A	902270	HEEL LOOP COMPOSITE FT 14-15	PAIR 14 -15 OR 16 -18V
5A	902271	HEEL LOOP COMPOSITE FT 16-17	PAIR 16 -17 OR 19 -20V
5A	902272	HEEL LOOP COMPOSITE FT 18-20	PAIR 18 -20
5B	741154	HEEL LOOP 14-15 COMPOSITE HEMI	14 -15 HEMI
5B	741155	HEEL LOOP 16-17 COMPOSITE HEMI	16 -17 HEMI
5B	741153	HEEL LOOP 18-20 COMPOSITE HEMI	18 -10 HEMI
5B	902260	HEEL LOOPS HEMI COMPOSITE 14-15	PAIR 14 -15 HEMI
5B	902261	HEEL LOOPS HEMI COMPOSITE 16-17	PAIR 16 -17 HEMI
5B	902262	HEEL LOOPS HEMI COMPOSITE 18-20	PAIR 18 -20 HEMI
6	561040	HEEL LOOP PEG	
7	106944	1/4 AN WASHER FLAT THIN	
8	106958	HHCS 1/4-20 X 1 ROHS	
9	561003	3/4" SADDLE THIN	USED W/ ROUND EXT TUBES ONLY
1,3,4	921180	COMPOSITE FOOTPLATE ASSM 14-15	RIGHT (14 -15 OR 16 -18V) W/O HEEL LOOP
1,3,4	921181	COMPOSITE FOOTPLATE ASSM 14-15	LEFT (14 -15 OR 16 -18V) W/O HEEL LOOP
1,3,4	921182	COMPOSITE FOOTPLATE ASSM 16-17	RIGHT (16 -17 OR 19 -20V) W/O HEEL LOOP
1,3,4	921183	COMPOSITE FOOTPLATE ASSM 16-17	LEFT (16 -17 OR 19 -20V) W/O HEEL LOOP

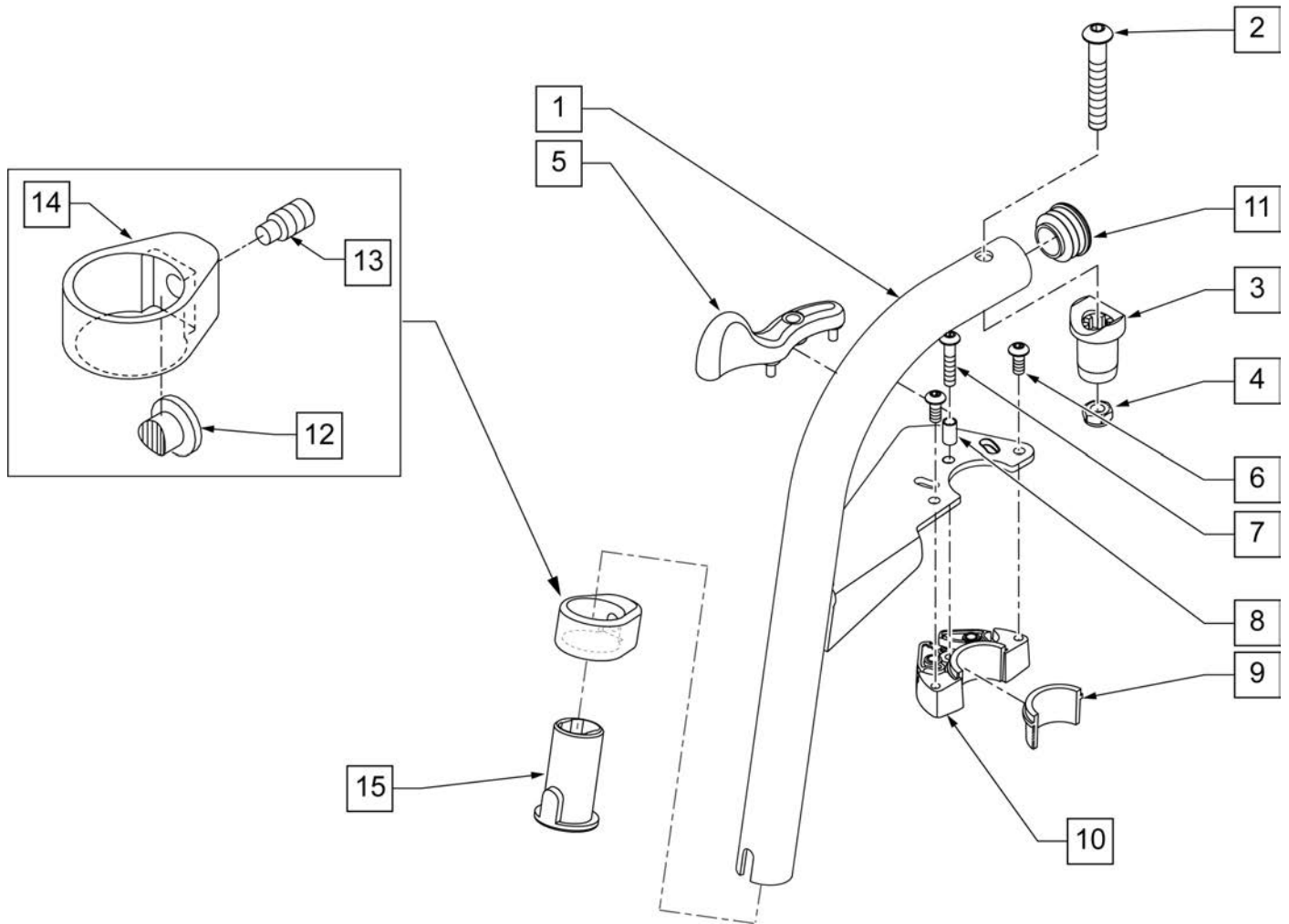
Pos.	Item Number	Description	Remarks
1,3,4	921184	COMPOSITE FOOTPLATE ASSM 18-20	RIGHT (18 -20) W/O HEEL LOOP
1,3,4	921185	COMPOSITE FOOTPLATE ASSM 18-20	LEFT (18 -20) W/O HEEL LOOP
1,3,4	921151	COMPOSITE FOOTPLATE ASSM 14-15/16-18V	PAIR (14 -15 OR 16 -18V) W/O HEEL LOOP
1,3,4	921152	COMPOSITE FOOTPLATE ASSM 16-17/19-20V	PAIR (16 -17 OR 19 -20V) W/O HEEL LOOP
1,3,4	921153	COMPOSITE FOOTPLATE ASSM 18-20	PAIR (18 -20) W/O HEEL LOOP
1,3,4A-8	921190	COMPOSITE FOOTPLATE ASSM HL LP 14-15	RIGHT (14 -15 OR 16 -18V) W/ HEEL LOOP
1,3,4A-8	921191	COMPOSITE FOOTPLATE ASSM HL LP 14-15	LEFT (14 -15 OR 16 -18V) W/ HEEL LOOP
1,3,4A-8	921192	COMPOSITE FOOTPLATE ASSM HL LP 16-17	RIGHT (16 -17 OR 19 -20V) W/ HEEL LOOP
1,3,4A-8	921193	COMPOSITE FOOTPLATE ASSM HL LP 16-17	LEFT (16 -17 OR 19 -20V) W/ HEEL LOOP
1,3,4A-8	921194	COMPOSITE FOOTPLATE ASSM HL LP 18-20	RIGHT (18 -20) W/ HEEL LOOP
1,3,4A-8	921195	COMPOSITE FOOTPLATE ASSM HL LP 18-20	LEFT (18 -20) W/ HEEL LOOP
1,3,4A-8	921161	COMPOSITE FOOTPLATE ASSM HL 14-15/16-18V	PAIR (14 -15 OR 16 -18V) W/ HEEL LOOP
1,3,4A-8	921162	COMPOSITE FOOTPLATE ASSM HL 16-17/19-20V	PAIR (16 -17 OR 19 -20V) W/ HEEL LOOP
1,3,4A-8	921163	COMPOSITE FOOTPLATE ASSM HL 18-20	PAIR (18 -20) W/ HEEL LOOP
1,3,4B-8	921140	COMPOSITE FOOTPLATE ASSM HEMI HL LP 14-15	RIGHT (14 -15) W/ HEEL LOOP
1,3,4B-8	921141	COMPOSITE FOOTPLATE ASSM HEMI HL LP 14-15	LEFT (14 -15) W/ HEEL LOOP
1,3,4B-8	921142	COMPOSITE FOOTPLATE ASSM HEMI HL LP 16-17	RIGHT (16 -17) W/ HEEL LOOP
1,3,4B-8	921143	COMPOSITE FOOTPLATE ASSM HEMI HL LP 16-17	LEFT (16 -17) W/ HEEL LOOP
1,3,4B-8	921144	COMPOSITE FOOTPLATE ASSM HEMI HL LP 18-20	RIGHT (18 -20) W/ HEEL LOOP
1,3,4B-8	921145	COMPOSITE FOOTPLATE ASSM HEMI HL LP 18-20	LEFT (18 -20) W/ HEEL LOOP
1,3,4B-8	921167	COMPOSITE FOOTPLATE ASSM HEMI HL LPS 14-15	PAIR (14 -15) W/ HEEL LOOP
1,3,4B-8	921168	COMPOSITE FOOTPLATE ASSM HEMI HL LPS 16-17	PAIR (16 -17) W/ HEEL LOOP
1,3,4B-8	921169	COMPOSITE FOOTPLATE ASSM HEMI HL LPS 18-20	PAIR (18 -20) W/ HEEL LOOP



Pos.	Item Number	Description	Remarks
2	106983	5/16-18 X 2 BH C/S SHT THREAD	
3,4	561197	PIVOT SADDLE PLASTIC	
5	052296	SWING I/O LATCH LEVER RIGHT	Right
5	052297	SWING I/O LATCH LEVER LEFT	Left
6	102259-001	BHCS M5 X .8 X 12 W/PL INORG	
7	230494	M5-30 BTTN HD SOC C/S BLK	
8	052054	BUSHING PIVOT HANGER SWING I/O	
11	561062	1" INSERT PLUG .065 RIBS	
15	104160	BUSHING FOOTREST	
1-15	111243S	HANGER 60 Deg S/A ASSM R	SPECIFY COLOR,RIGHT
1-15	111242S	HANGER 60 Deg S/A ASSM L	SPECIFY COLOR,LEFT
12-15	107485	FOOTREST CLAMP ASSM	
6,9,10	120976	ASSY LATCH BLOCK ANTI LIFT	



Pos.	Item Number	Description	Remarks
2	106983	5/16-18 X 2 BH C/S SHT THREAD	
3,4	561197	PIVOT SADDLE PLASTIC	
5	052296	SWING I/O LATCH LEVER RIGHT	Right
5	052297	SWING I/O LATCH LEVER LEFT	Left
6	102259-001	BHCS M5 X .8 X 12 W/PL INORG	
7	230494	M5-30 BTTN HD SOC C/S BLK	
8	052054	BUSHING PIVOT HANGER SWING I/O	
11	561062	1" INSERT PLUG .065 RIBS	
15	104160	BUSHING FOOTREST	
1-15	107671S	70 DEG SWING IN/OUT HANGER ASSEMBLY LEFT	SPECIFY COLOR,LEFT
1-15	107670S	70 DEG SWING IN/OUT HANGER ASSEMBLY RIGHT	SPECIFY COLOR,RIGHT
12-15	107485	FOOTREST CLAMP ASSM	
6,9,10	120976	ASSY LATCH BLOCK ANTI LIFT	



Pos.	Item Number	Description	Remarks
2	106983	5/16-18 X 2 BH C/S SHT THREAD	
3,4	561197	PIVOT SADDLE PLASTIC	
5	052296	SWING I/O LATCH LEVER RIGHT	Right
5	052297	SWING I/O LATCH LEVER LEFT	Left
6	102259-001	BHCS M5 X .8 X 12 W/PL INORG	
7	230494	M5-30 BTTN HD SOC C/S BLK	
8	052054	BUSHING PIVOT HANGER SWING I/O	
11	561062	1" INSERT PLUG .065 RIBS	
15	104160	BUSHING FOOTREST	
1-15	107673S	ASSEMBLY LEFT	SPECIFY COLOR,LEFT
1-15	107672S	ASSEMBLY RIGHT	SPECIFY COLOR,RIGHT
12-15	107485	FOOTREST CLAMP ASSM	
6,9,10	120976	ASSY LATCH BLOCK ANTI LIFT	

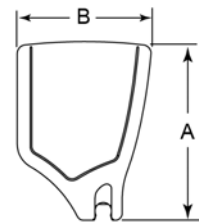
COMPOSITE FOOTPLATE

NOTE: FOOTPLATE ASSEMBLIES ARE SET TO FOOTREST WIDTH. PLEASE SEE "FOOTPLATE FORMULA" TABLE FOR SEAT WIDTH CONVERSION.

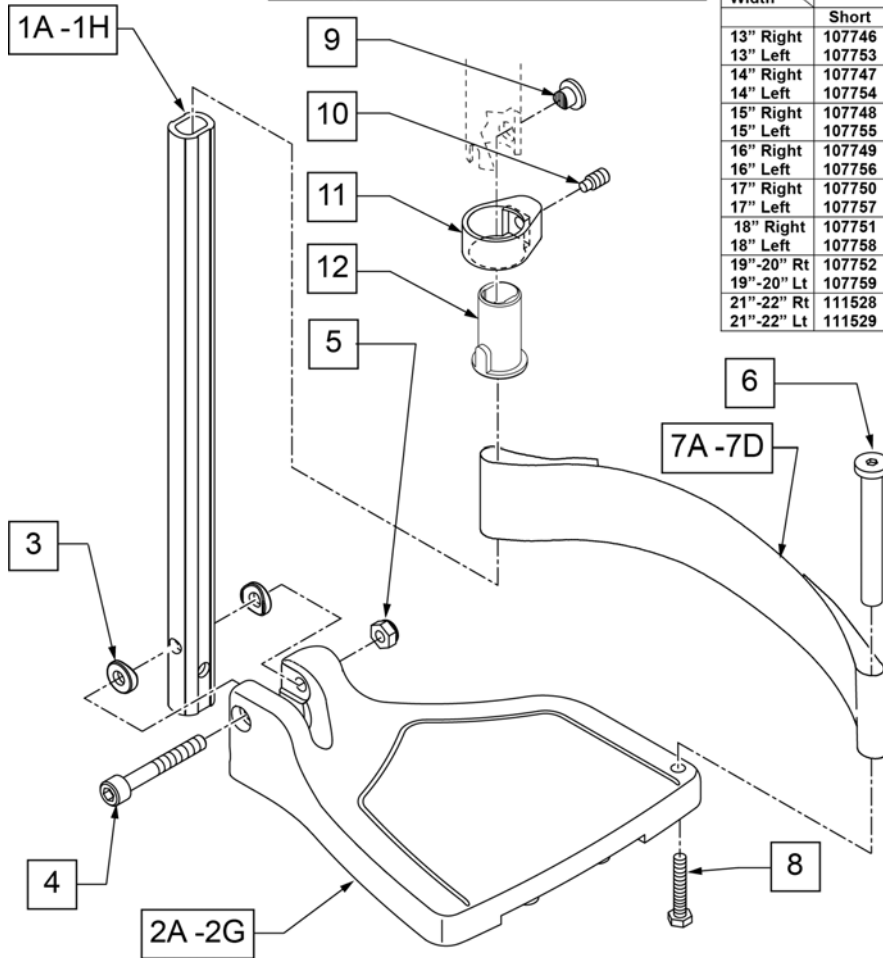
INSET FORMULA
 0" Inset (Seat Width) = Footrest Width
 1" Inset (Seat Width) -2 = Footrest Width
 "V" Hanger (Seat Width) -4 = Footrest Width

Composite Footplates w/ Ext & HL for Swing I/O Hangers (Order 1 each)								
Ext. Tube Width	60°, 70° & 70° Hemi Style Hangers (Bent Extension)			80° Style hanger ELR (Straight Extension)			70° V Style Hangers	
	Short	Medium	Long	Short	Medium	Long	Medium	Long
13" Right	107746	107760	107774	107704	107718	107732	107788	107802
13" Left	107753	107767	107781	107711	107725	107739	107795	107809
14" Right	107747	107761	107775	107705	107719	107733	107789	107803
14" Left	107754	107768	107782	107712	107726	107740	107796	107810
15" Right	107748	107762	107776	107706	107720	107734	107790	107804
15" Left	107755	107769	107783	107713	107727	107741	107797	107811
16" Right	107749	107763	107777	107707	107721	107735	107791	107805
16" Left	107756	107770	107784	107714	107728	107742	107798	107812
17" Right	107750	107764	107778	107708	107722	107736	107792	107806
17" Left	107757	107771	107785	107715	107729	107743	107799	107813
18" Right	107751	107765	107779	107709	107723	107737	107793	107807
18" Left	107758	107772	107786	107716	107730	107744	107800	107814
19"-20" Rt	107752	107766	107780	107710	107724	107738	V STYLE IS NOT AVAILABLE IN THESE SEAT WIDTHS	
19"-20" Lt	107759	107773	107787	107717	107731	107745		
21"-22" Rt	111528	111530	111532	111522	111524	111526		
21"-22" Lt	111529	111531	111533	111523	111525	111527		

FOOTPLATE MEASURING GUIDE



PART NO	DESCRIPTION	DIM -A-	DIM -B-
063216-006	FOOTPLATE COMPOSITE 157 R	6 1/8"	6"
063216-012	FOOTPLATE COMPOSITE 157 L	6 1/8"	6"
063216-015	FOOTPLATE COMPOSITE 170 R	6 5/8"	6"
063216-018	FOOTPLATE COMPOSITE 170 L	6 5/8"	6"
063216-005	FOOTPLATE COMPOSITE 182 R	7 1/8"	6"
063216-011	FOOTPLATE COMPOSITE 182 L	7 1/8"	6"
063216-014	FOOTPLATE COMPOSITE 195 R	7 5/8"	6"
063216-017	FOOTPLATE COMPOSITE 195 L	7 5/8"	6"
063216-004	FOOTPLATE COMPOSITE 207 R	8 1/8"	6"
063216-010	FOOTPLATE COMPOSITE 207 L	8 1/8"	6"
063216-013	FOOTPLATE COMPOSITE 220 R	8 5/8"	6 1/4"
063216-016	FOOTPLATE COMPOSITE 220 L	8 5/8"	6 1/4"
063216-003	FOOTPLATE COMPOSITE 232 R	9 1/8"	6 1/4"
063216-009	FOOTPLATE COMPOSITE 232 L	9 1/8"	6 1/4"
063216-002	FOOTPLATE COMPOSITE 257 R	10 1/8"	6 1/4"
063216-008	FOOTPLATE COMPOSITE 257 L	10 1/8"	6 1/4"
063216-001	FOOTPLATE COMPOSITE 282 R	11 1/8"	6 1/4"
063216-007	FOOTPLATE COMPOSITE 282 L	11 1/8"	6 1/4"



Pos.	Item Number	Description	Remarks
1A-5	120660	SHT STRT EXT COMP HDWR	80 deg hangers + ELR only
1B-5	120661	MED STRT EXT COMP HDWR	80 deg hangers + ELR only
1C-5	120662	LNG STRT EXT COMP HDWR	80 deg hangers + ELR only
1D-5	120663	SHT BNT EXT COMP HDWR	60,70,70 Hemi Hangers
1E-5	120664	MED BNT EXT COMP HDWR	60,70,70 Hemi Hangers
1F-5	120665	LNG BNT EXT COMP HDWR	60,70,70 Hemi Hangers
1G-5	120666	SHT V EXT R COMP HDWR	70 deg V hangers only-LEFT
1G-5	120667	SHT V EXT L COMP HDWR	70 deg V hangers only-RIGHT
1H-5	120668	LNG V EXT R COMP HDWR	70 deg V hangers only-LEFT
1H-5	120669	LNG V EXT L COMP HDWR	70 deg V hangers only-RIGHT
2A	063216-006	COMPOSITE FOOTPLATE RIGHT	RIGHT 13" Footrest Width
2A	063216-012	COMPOSITE FOOTPLATE LEFT	LEFT 13" Footrest Width
2B	063216-015	FOOTPLATE COMPOSITE RIGHT	RIGHT 14" Footrest Width

Pos.	Item Number	Description	Remarks
2B	063216-018	FOOTPLATE COMPOSITE LEFT	LEFT 14" Footrest Width
2C	063216-005	COMPOSITE FOOTPLATE RIGHT	RIGHT 15" Footrest Width
2C	063216-011	COMPOSITE FOOTPLATE LEFT	LEFT 15" Footrest Width
2D	063216-014	FOOTPLATE COMPOSITE RIGHT	RIGHT 16" Footrest Width
2D	063216-017	FOOTPLATE COMPOSITE LEFT	LEFT 16" Footrest Width
2E	063216-004	COMPOSITE FOOTPLATE RIGHT	RIGHT 17" Footrest Width
2E	063216-010	COMPOSITE FOOTPLATE LEFT	LEFT 17" Footrest Width
2F	063216-013	FOOTPLATE COMPOSITE RIGHT	RIGHT 18" Footrest Width
2F	063216-016	FOOTPLATE COMPOSITE LEFT	LEFT 18" Footrest Width
2G	063216-003	COMPOSITE FOOTPLATE RIGHT	RIGHT 19" & 20" Footrest Width
2G	063216-009	COMPOSITE FOOTPLATE LEFT	LEFT 19" & 20" Footrest Width
2H	063216-002	FOOTPLATE COMPOSITE RIGHT	RIGHT 21" & 22" Footrest Width
2H	063216-008	FOOTPLATE COMPOSITE LEFT	LEFT 21" & 22" Footrest Width
3	104377	3/4" SADDLE THIN	
4	103175	SHCS M6 X 1 X 40 INORG	
5	104381	NUT HEX NYLOCK M6X1.0	Inserted in bottom of footplate.
6	104328	HEEL LOOP PEG	
7A	104380-001	ADJUSTABLE FOOT REST STRAP	14" wide
7B	104380-002	ADJUSTABLE FOOT REST STRAP	15-16" wide
7C	104380-003	ADJUSTABLE FOOT REST STRAP	17-18" wide
7D	104380-004	ADJUSTABLE FOOT REST STRAP	19-22" wide
8	102268-001	HHCS M6 X 1 X 25	
12	104160	BUSHING FOOTREST	
9-12	107485	FOOTREST CLAMP ASSM	
>>>>		60°,70°,70° HEMI HANGERS - SHORT EXT - RIGHT	
1D,2A,3-6,7A,8	107746	COMP BNT SHT EXT ASM 13" W R	Right- 70D- 13" W- SHORT
1D,2B,3-6,7A,8	107747	COMP BNT SHT EXT ASM 14" W R	Right- 70D- 14" W- SHORT
1D,2C,3-6,7B,8	107748	COMP BNT SHT EXT ASM 15" W R	Right- 70D- 15" W- SHORT
1D,2D,3-6,7B,8	107749	COMP BNT SHT EXT ASM 16" W R	Right- 70D- 16" W- SHORT
1D,2E,3-6,7C,8	107750	COMP BNT SHT EXT ASM 17" W R	Right- 70D- 17" W- SHORT
1D,2F,3-6,7C,8	107751	COMP BNT SHT EXT ASM 18" W R	Right- 70D- 18" W- SHORT
1D,2G,3-6,7D,8	107752	COMP BNT SHT EXT ASM 19 & 20"W R	Right- 70D- 19 & 20" W- SHORT
1D,2H,3-6,7D,8	111528	COMP BNT SHT EXT ASM 21 & 22"W R	Right- 70D- 21 & 22" W- SHORT
>>>>		60°,70°,70° HEMI HANGERS - SHORT EXT - LEFT	
1D,2A,3-6,7A,8	107753	COMP BNT SHT EXT ASM 13" W L	Left- 70D- 13 W- SHORT
1D,2B,3-6,7A,8	107754	COMP BNT SHT EXT ASM 14" W L	Left- 70D- 14 W- SHORT
1D,2C,3-6,7B,8	107755	COMP BNT SHT EXT ASM 15" W L	Left- 70D- 15 W- SHORT
1D,2D,3-6,7B,8	107756	COMP BNT SHT EXT ASM 16" W L	Left- 70D- 16 W- SHORT
1D,2E,3-6,7C,8	107757	COMP BNT SHT EXT ASM 17" W L	Left- 70D- 17 W- SHORT
1D,2F,3-6,7C,8	107758	COMP BNT SHT EXT ASM 18" W L	Left- 70D- 18 W- SHORT
1D,2G,3-6,7D,8	107759	COMP BNT SHT EXT ASM 19 & 20"W L	Left- 70D- 19 & 20" W- SHORT
1D,2H,3-6,7D,8	111529	COMP BNT SHT EXT ASM 21 & 22"W L	Left- 70D- 21 & 22" W- SHORT
>>>>		60°,70°,70° HEMI HANGERS - MED EXT - RIGHT	
1E,2A,3-6,7A,8	107760	COMP BNT MED EXT ASM 13" W R	Right- 70D- 13" W- MED
1E,2B,3-6,7A,8	107761	COMP BNT MED EXT ASM 14" W R	Right- 70D- 14" W- MED
1E,2C,3-6,7B,8	107762	COMP BNT MED EXT ASM 15" W R	Right- 70D- 15" W- MED
1E,2D,3-6,7B,8	107763	COMP BNT MED EXT ASM 16" W R	Right- 70D- 16" W- MED
1E,2E,3-6,7C,8	107764	COMP BNT MED EXT ASM 17" W R	Right- 70D- 17" W- MED
1E,2F,3-6,7C,8	107765	COMP BNT MED EXT ASM 18" W R	Right- 70D- 18" W- MED
1E,2G,3-6,7D,8	107766	COMP BNT MED EXT ASM 19 & 20"W R	Right- 70D- 19 & 20" W- MED
1E,2H,3-6,7D,8	111530	COMP BNT MED EXT ASM 21 & 22"W R	Right- 70D- 21 & 22" W- MED
>>>>		60°,70°,70° HEMI HANGERS - MED EXT - LEFT	
1E,2A,3-6,7A,8	107767	COMP BNT MED EXT ASM 13" W L	Left- 70D- 13 W- MED
1E,2B,3-6,7A,8	107768	COMP BNT MED EXT ASM 14" W L	Left- 70D- 14 W- MED
1E,2C,3-6,7B,8	107769	COMP BNT MED EXT ASM 15" W L	Left- 70D- 15 W- MED
1E,2D,3-6,7B,8	107770	COMP BNT MED EXT ASM 16" W L	Left- 70D- 16 W- MED

Pos.	Item Number	Description	Remarks
1E,2E,3-6,7C,8	107771	COMP BNT MED EXT ASM 17" W L	Left- 70D- 17 W- MED
1E,2F,3-6,7C,8	107772	COMP BNT MED EXT ASM 18" W L	Left- 70D- 18 W- MED
1E,2G,3-6,7D,8	107773	COMP BNT MED EXT ASM 19 & 20"W L	Left- 70D- 19 & 20" W- MED
1E,2H,3-6,7D,8	111531	COMP BNT MED EXT ASM 21 & 22"W L	Left- 70D- 21 & 22" W- MED
>>>>		60°,70°,70° HEMI HANGERS - LONG EXT - RIGHT	
1F,2A,3-6,7A,8	107774	COMP BNT LONG EXT ASM 13" W R	Right- 70D- 13" W- LONG
1F,2B,3-6,7A,8	107775	COMP BNT LONG EXT ASM 14" W R	Right- 70D- 14" W- LONG
1F,2C,3-6,7B,8	107776	COMP BNT LONG EXT ASM 15" W R	Right- 70D- 15" W- LONG
1F,2D,3-6,7B,8	107777	COMP BNT LONG EXT ASM 16" W R	Right- 70D- 16" W- LONG
1F,2E,3-6,7C,8	107778	COMP BNT LONG EXT ASM 17" W R	Right- 70D- 17" W- LONG
1F,2F,3-6,7C,8	107779	COMP BNT LONG EXT ASM 18" W R	Right- 70D- 18" W- LONG
1F,2G,3-6,7D,8	107780	COMP BNT LONG EXT ASM 19 & 20"W R	Right- 70D- 19 & 20" W- LONG
1F,2H,3-6,7D,8	111532	COMP BNT LONG EXT ASM 21 & 22"W R	Right- 70D- 21 & 22" W- LONG
>>>>		60°,70°,70° HEMI HANGERS - LONG EXT - LEFT	
1F,2A,3-6,7A,8	107781	COMP BNT LONG EXT ASM 13" W L	Left- 70D- 13 W- LONG
1F,2B,3-6,7A,8	107782	COMP BNT LONG EXT ASM 14" W L	Left- 70D- 14 W- LONG
1F,2C,3-6,7B,8	107783	COMP BNT LONG EXT ASM 15" W L	Left- 70D- 15 W- LONG
1F,2D,3-6,7B,8	107784	COMP BNT LONG EXT ASM 16" W L	Left- 70D- 16 W- LONG
1F,2E,3-6,7C,8	107785	COMP BNT LONG EXT ASM 17" W L	Left- 70D- 17 W- LONG
1F,2F,3-6,7C,8	107786	COMP BNT LONG EXT ASM 18" W L	Left- 70D- 18 W- LONG
1F,2G,3-6,7D,8	107787	COMP BNT LONG EXT ASM 19 & 20"W L	Left- 70D- 19 & 20" W- LONG
1F,2H,3-6,7D,8	111533	COMP BNT LONG EXT ASM 21 & 22"W L	Left- 70D- 21 & 22" W- LONG
>>>>		70 DEGREE "V" HANGERS - MED EXT - RIGHT	
1G,2A,3-8	107788	COMP V MED EXT ASM 13W R	Right- 70D V hangers only 13 W- MED
1G,2B,3-8	107789	COMP V MED EXT ASM 14W R	Right- 70D V hangers only 14 W- MED
1G,2C,3-8	107790	COMP V MED EXT ASM 15W R	Right- 70D V hangers only 15 W- MED
1G,2D,3-8	107791	COMP V MED EXT ASM 16W R	Right- 70D V hangers only 16 W- MED
1G,2E,3-8	107792	COMP V MED EXT ASM 17W R	Right- 70D V hangers only 17 W- MED
1G,2F,3-8	107793	COMP V MED EXT ASM 18W R	Right- 70D V hangers only 18 W- MED
>>>>		70 DEGREE "V" HANGERS - MED EXT - LEFT	
1G,2A,3-8	107795	COMP V MED EXT ASM 13W L	Left- 70D V hangers only 13 W- MED
1G,2B,3-8	107796	COMP V MED EXT ASM 14W L	Left- 70D V hangers only 14 W- MED
1G,2C,3-8	107797	COMP V MED EXT ASM 15W L	Left- 70D V hangers only 15 W- MED
1G,2D,3-8	107798	COMP V MED EXT ASM 16W L	Left- 70D V hangers only 16 W- MED
1G,2E,3-8	107799	COMP V MED EXT ASM 17W L	Left- 70D V hangers only 17 W- MED
1G,2F,3-8	107800	COMP V MED EXT ASM 18W L	Left- 70D V hangers only 18 W- MED
>>>>		70 DEGREE "V" HANGERS - LONG EXT - RIGHT	
1H,2A,3-8	107802	COMP V LNG EXT ASM 13W R	Right- 70D V hangers only 13 W- LONG
1H,2B,3-8	107803	COMP V LNG EXT ASM 14W R	Right- 70D V hangers only 14 W- LONG
1H,2C,3-8	107804	COMP V LNG EXT ASM 15W R	Right- 70D V hangers only 15 W- LONG
1H,2D,3-8	107805	COMP V LNG EXT ASM 16W R	Right- 70D V hangers only 16 W- LONG
1H,2E,3-8	107806	COMP V LNG EXT ASM 17W R	Right- 70D V hangers only 17 W- LONG
1H,2F,3-8	107807	COMP V LNG EXT ASM 18W R	Right- 70D V hangers only 18 W- LONG
>>>>		70 DEGREE "V" HANGERS - LONG EXT - LEFT	
1H,2A,3-8	107809	COMP V LNG EXT ASM 13W L	Left- 70D V hangers only 13 W- LONG
1H,2B,3-8	107810	COMP V LNG EXT ASM 14W L	Left- 70D V hangers only 14 W- LONG
1H,2C,3-8	107811	COMP V LNG EXT ASM 15W L	Left- 70D V hangers only 15 W- LONG
1H,2D,3-8	107812	COMP V LNG EXT ASM 16W L	Left- 70D V hangers only 16 W- LONG
1H,2E,3-8	107813	COMP V LNG EXT ASM 17W L	Left- 70D V hangers only 17 W- LONG
1H,2F,3-8	107814	COMP V LNG EXT ASM 18W L	Left- 70D V hangers only 18 W- LONG
>>>>		80 DEGREE HANGERS - SHORT EXT - RIGHT	
1A,2A,3-6,7A,8	107704	COMP STRT SHT EXT ASM 13"W R	Right- 80D- 13" W- SHORT
1A,2B,3-6,7A,8	107705	COMP STRT SHT EXT ASM 14"W R	Right- 80D- 14" W- SHORT
1A,2C,3-6,7B,8	107706	COMP STRT SHT EXT ASM 15"W R	Right- 80D- 15" W- SHORT
1A,2D,3-6,7B,8	107707	COMP STRT SHT EXT ASM 16"W R	Right- 80D- 16" W- SHORT
1A,2E,3-6,7C,8	107708	COMP STRT SHT EXT ASM 17"W R	Right- 80D- 17" W- SHORT

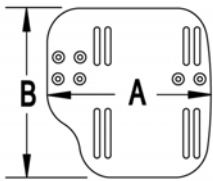
Pos.	Item Number	Description	Remarks
1A,2F,3-6,7C,8	107709	COMP STRT SHT EXT ASM 18"W R	Right- 80D- 18" W- SHORT
1A,2G,3-6,7D,8	107710	COMP STRT SHT EXT ASM 19 & 20"W R	Right- 80D- 19 & 20" W- SHORT
1A,2H,3-6,7D,8	111522	COMP STRT SHT EXT ASM 21 & 22"W R	Right- 80D- 21 & 22" W- SHORT
>>>>		80 DEGREE HANGERS - SHORT EXT - LEFT	
1A,2A,3-6,7A,8	107711	COMP STRT SHT EXT ASM 13"W L	LEFT- 80D- 13" W- SHORT
1A,2B,3-6,7A,8	107712	COMP STRT SHT EXT ASM 14"W L	LEFT- 80D- 14" W- SHORT
1A,2C,3-6,7B,8	107713	COMP STRT SHT EXT ASM 15"W L	LEFT- 80D- 15" W- SHORT
1A,2D,3-6,7B,8	107714	COMP STRT SHT EXT ASM 16"W L	LEFT- 80D- 16" W- SHORT
1A,2E,3-6,7C,8	107715	COMP STRT SHT EXT ASM 17"W L	LEFT- 80D- 17" W- SHORT
1A,2F,3-6,7C,8	107716	COMP STRT SHT EXT ASM 18"W L	LEFT- 80D- 18" W- SHORT
1A,2G,3-6,7D,8	107717	COMP STRT SHT EXT ASM 19 & 20"W L	LEFT- 80D- 19 & 20" W- SHORT
1A,2H,3-6,7D,8	111523	COMP STRT SHT EXT ASM 21 & 22"W L	LEFT- 80D- 21 & 22" W- SHORT
>>>>		80 DEGREE HANGERS - MED EXT - RIGHT	
1B,2A,3-6,7A,8	107718	COMP STRT MED EXT ASM 13"W R	Right- 80D- 13" W- MED
1B,2B,3-6,7A,8	107719	COMP STRT MED EXT ASM 14"W R	Right- 80D- 14" W- MED
1B,2C,3-6,7B,8	107720	COMP STRT MED EXT ASM 15"W R	Right- 80D- 15" W- MED
1B,2D,3-6,7B,8	107721	COMP STRT MED EXT ASM 16"W R	Right- 80D- 16" W- MED
1B,2E,3-6,7C,8	107722	COMP STRT MED EXT ASM 17"W R	Right- 80D- 17" W- MED
1B,2F,3-6,7C,8	107723	COMP STRT MED EXT ASM 18"W R	Right- 80D- 18" W- MED
1B,2G,3-6,7D,8	107724	COMP STRT MED EXT ASM 19 & 20"W R	Right- 80D- 19 & 20" W- MED
1B,2H,3-6,7D,8	111524	COMP STRT MED EXT ASM 21 & 22"W R	Right- 80D- 21 & 22" W- MED
>>>>		80 DEGREE HANGERS - MED EXT - LEFT	
1B,2A,3-6,7A,8	107725	COMP STRT MED EXT ASM 13"W L	LEFT- 80D- 13" W- MED
1B,2B,3-6,7A,8	107726	COMP STRT MED EXT ASM 14"W L	LEFT- 80D- 14" W- MED
1B,2C,3-6,7B,8	107727	COMP STRT MED EXT ASM 15"W L	LEFT- 80D- 15" W- MED
1B,2D,3-6,7B,8	107728	COMP STRT MED EXT ASM 16"W L	LEFT- 80D- 16" W- MED
1B,2E,3-6,7C,8	107729	COMP STRT MED EXT ASM 17"W L	LEFT- 80D- 17" W- MED
1B,2F,3-6,7C,8	107730	COMP STRT MED EXT ASM 18"W L	LEFT- 80D- 18" W- MED
1B,2G,3-6,7D,8	107731	COMP STRT MED EXT ASM 19 & 20"W L	LEFT- 80D- 19 & 20" W- MED
1B,2H,3-6,7D,8	111525	COMP STRT MED EXT ASM 21 & 22"W L	LEFT- 80D- 21 & 22" W- MED
>>>>		80 DEGREE HANGERS - LONG EXT - RIGHT	
1C,2A,3-6,7A,8	107732	COMP STRT LONG EXT ASM 13"W R	Right- 80D- 13" W- LONG
1C,2B,3-6,7A,8	107733	COMP STRT LONG EXT ASM 14"W R	Right- 80D- 14" W- LONG
1C,2C,3-6,7B,8	107734	COMP STRT LONG EXT ASM 15"W R	Right- 80D- 15" W- LONG
1C,2D,3-6,7B,8	107735	COMP STRT LONG EXT ASM 16"W R	Right- 80D- 16" W- LONG
1C,2E,3-6,7C,8	107736	COMP STRT LONG EXT ASM 17"W R	Right- 80D- 17" W- LONG
1C,2F,3-6,7C,8	107737	COMP STRT LONG EXT ASM 18"W R	Right- 80D- 18" W- LONG
1C,2G,3-6,7D,8	107738	COMP STRT LONG EXT ASM 19 & 20"W R	Right- 80D- 19 & 20" W- LONG
1C,2H,3-6,7D,8	111526	COMP STRT LONG EXT ASM 21 & 22"W R	Right- 80D- 21 & 22" W- LONG
>>>>		80 DEGREE HANGERS - LONG EXT - LEFT	
1C,2A,3-6,7A,8	107739	COMP STRT LONG EXT ASM 13"W L	LEFT- 80D- 13" W- LONG
1C,2B,3-6,7A,8	107740	COMP STRT LONG EXT ASM 14"W L	LEFT- 80D- 14" W- LONG
1C,2C,3-6,7B,8	107741	COMP STRT LONG EXT ASM 15"W L	LEFT- 80D- 15" W- LONG
1C,2D,3-6,7B,8	107742	COMP STRT LONG EXT ASM 16"W L	LEFT- 80D- 16" W- LONG
1C,2E,3-6,7C,8	107743	COMP STRT LONG EXT ASM 17"W L	LEFT- 80D- 17" W- LONG
1C,2F,3-6,7C,8	107744	COMP STRT LONG EXT ASM 18"W L	LEFT- 80D- 18" W- LONG
1C,2G,3-6,7D,8	107745	COMP STRT LONG EXT ASM 19 & 20"W L	LEFT- 80D- 19 & 20" W- LONG
1C,2H,3-6,7D,8	111527	COMP STRT LONG EXT ASM 21 & 22"W L	LEFT- 80D- 21 & 22" W- LONG

NOTE: FOOTPLATE ASSEMBLIES ARE SET TO FOOTREST WIDTH. PLEASE SEE "FOOTPLATE FORMULA" TABLE FOR SEAT WIDTH CONVERSION.

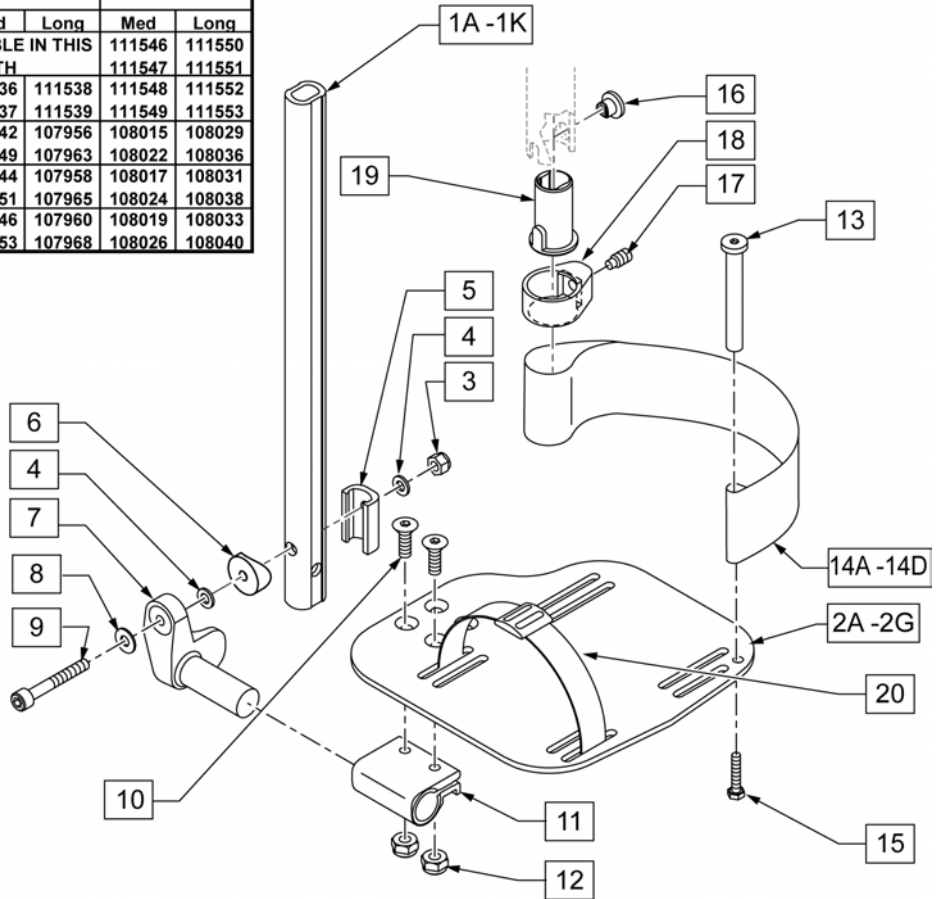
Adult Angle Adjustable "AAA" Footplates w/ Ext & HL for Swing I/O Hangers									
(Order 1 each)									
Ext. Tube	60°, 70° & 70° Hemi Style Hangers (Bent Extension)			80° Style hanger (Straight Extension)			70° V Style Hangers		
	Short	Med	Long	Short	Med	Long	Med	Long	
10"-11" Rt	NOT AVAILABLE IN THIS WIDTH			NOT AVAILABLE IN THIS WIDTH			111546	111550	
10"-11" Lt	NOT AVAILABLE IN THIS WIDTH			NOT AVAILABLE IN THIS WIDTH			111547	111551	
12-13" Rt	111540	111542	111544	111534	111536	111538	111548	111552	
12-13" Lt	111541	111543	111545	111535	111537	111539	111549	111553	
14"-15" Rt	107973	107987	108001	107928	107942	107956	108015	108029	
14"-15" Lt	107980	107994	108008	107935	107949	107963	108022	108036	
16"-17" Rt	107975	107989	108003	107930	107944	107958	108017	108031	
16"-17" Lt	107982	107996	108010	107937	107951	107965	108024	108038	
18"-22" Rt	107977	107991	108005	107932	107946	107960	108019	108033	
18"-22" Lt	107984	107998	108012	107939	107953	107968	108026	108040	

INSET FORMULA
 0" Inset (Seat Width) = Footrest Width
 1" Inset (Seat Width) -2 = Footrest Width
 "V" Hanger (Seat Width) -4 = Footrest Width

MEASURING GUIDE



CHAIR WIDTH	"A"	"B"
10" - 11"	3 1/2"	7 1/4"
12" - 13"	4 1/2"	7 3/4"
14" - 15"	5 1/2"	7 3/4"
16" - 17"	6 1/2"	7 3/4"
18" - 20"	7 1/2"	7 3/4"



Pos.	Item Number	Description	Remarks
1A,3-5,8,9	120670	SHT STRT EXT AAA HDWR	80 deg Hangers Only
1B,3-5,8,9	120671	MED STRT EXT AAA HDWR	80 deg Hangers Only
1C,3-5,8,9	120672	LNG STRT EXT AAA HDWR	80 deg Hangers Only
1D,3-5,8,9	120673	SHT BNT EXT AAA HDWR	60,70,70 Hemi Hangers
1E,3-5,8,9	120674	MED BNT EXT AAA HDWR	60,70,70 Hemi Hangers
1F,3-5,8,9	120675	LNG BNT EXT AAA HDWR	60,70,70 Hemi Hangers
1G,3-5,8,9	120676	SHT V EXT R AAA HDWR	Left - 70 deg V Hangers Only
1H,3-5,8,9	120677	SHT V EXT L AAA HDWR	Right - 70 deg V Hangers Only
1I,3-5,8,9	120678	LNG V EXT R AAA HDWR	Left - 70 deg V Hangers Only
1J,3-5,8,9	120679	LNG V EXT L AAA HDWR	Right - 70 deg V Hangers Only
2A	500656	ADULT ANG ADJ F/PLT 10/11" R	RIGHT 10-11" Footrest Width
2A	500657	ADULT ANG ADJ F/PLT 10/11" L	LEFT 10-11" Footrest Width
2B	500658	ADULT ANG ADJ F/PLT 12/13" R	RIGHT 12-13" Footrest Width

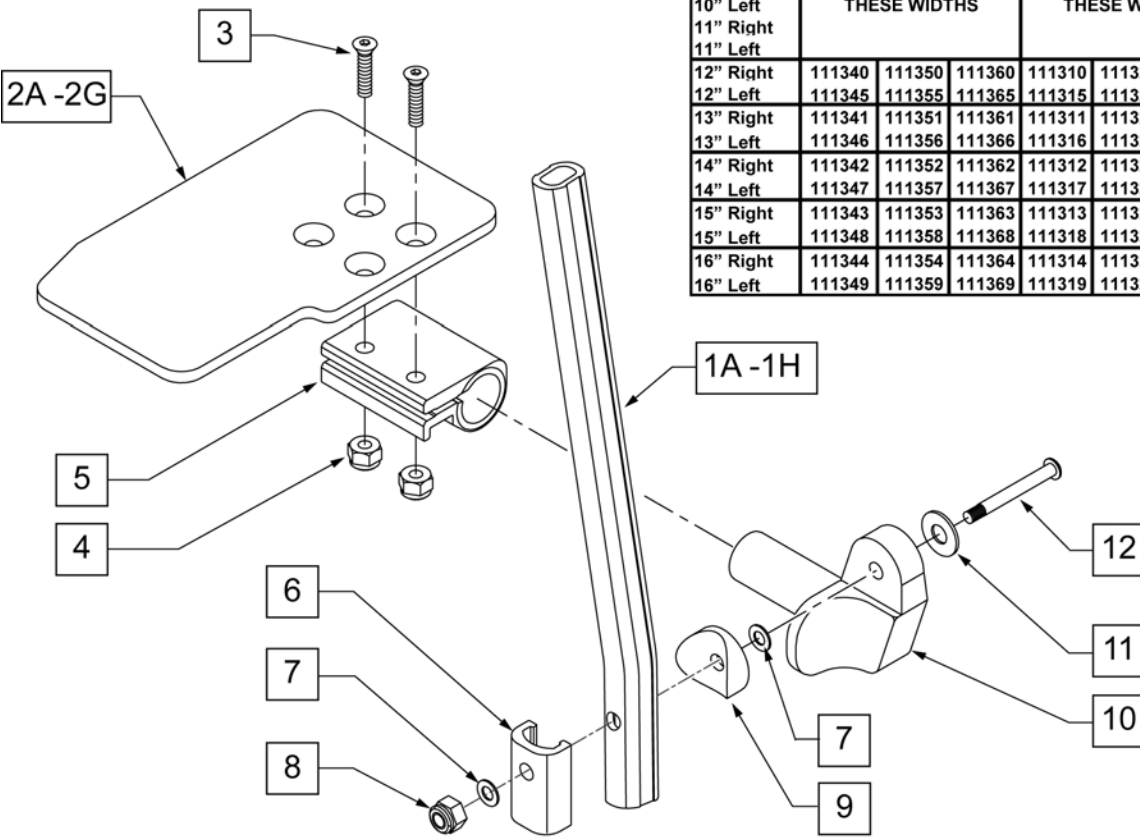
Pos.	Item Number	Description	Remarks
2B	500659	ADULT ANG ADJ F/PLT 12/13" L	LEFT 12-13" Footrest Width
2C	500660	ADLT ANGL ADJ F/PLT 14/15	RIGHT 14-15" Footrest Width
2C	500661	ADLT ANGL ADJ F/PLT 14/15	LEFT 14-15" Footrest Width
2D	500662	ADLT ANGL ADJ F/PLT 16/17	RIGHT 16-17" Footrest Width
2D	500663	ADLT ANGL ADJ F/PLT 16/17	LEFT 16-17" Footrest Width
2E	500664	ADLT ANGL ADJ F/PLT 18-20	RIGHT 18-22" Footrest Width
2E	500665	ADLT ANGL ADJ F/PLT 18-20	LEFT 18-22" Footrest Width
3	104381	NUT HEX NYLOCK M6X1.0	
4	106944	WASHER FLAT THIN AN 1/4 ROHS	
5	107199	HANGER EXTENSION SADDLE	
6	104377	3/4" SADDLE THIN	
7	541002	FTRST MOUNTING BRKT-3/8 RAD R	RIGHT
7	541003	FTRST MOUNTING BRKT-3/8 RAD L	LEFT
8	106945	WASHER FLAT SAE 1/4 ROHS	
9	104399	SHCS M6X1X45 12 MM PART THD	
10	106978	FHCS 1/4-28 X 7/8 ROHS	
11	550350	3/4" CLMP ADJ FT PLT	
12	106935	NUT NYLOCK THIN 1/4-28 ROHS	
13	104328	POST HEEL LOOP	
14A	104380-001	ADJUSTABLE FOOT REST STRAP	12 - 14" WIDE
14B	104380-002	ADJUSTABLE FOOT REST STRAP	15 - 16" WIDE
14C	104380-003	ADJUSTABLE FOOT REST STRAP	17 - 18" WIDE
14D	104380-004	ADJUSTABLE FOOT REST STRAP	19 - 20" WIDE
15	102268-001	HHCS M6 X 1 X 25	
3-6,8,9	120659	EXT MNT HARDWARE 1 SIDE	
16-19	107485	FOOTREST CLAMP ASSM	
20	740260	TOE-ANKLE STRAP ADJ ADULT FOOTPLATE	
>>>>		80° HANGERS - SHORT EXT - RIGHT	
1A,2B,3-14A,15	111534	AAA STRT SHT EXT ASM 12-13" W R	Right- 80D- 12-13" W- SHORT
1A,2C,3-14B,15	107928	AAA STRT SHT EXT ASM 14-15" W R	Right- 80D- 14-15" W- SHORT
1A,2D,3-14C,15	107930	AAA STRT SHT EXT ASM 16-17" W R	Right- 80D- 16-17" W- SHORT
1A,2E,3-14D,15	107932	AAA STRT SHT EXT ASM 18-22" W R	Right- 80D- 18-22" W- SHORT
>>>>		80° HANGERS - SHORT EXT - LEFT	
1A,2B,3-14A,15	111535	AAA STRT SHT EXT ASM 12-13" W L	Left- 80D- 12-13" W- SHORT
1A,2C,3-14B,15	107935	AAA STRT SHT EXT ASM 14" W L	Left- 80D- 14-15" W- SHORT
1A,2D,3-14C,15	107937	AAA STRT SHT EXT ASM 16" W L	Left- 80D- 16-17" W- SHORT
1A,2E,3-14D,15	107939	AAA STRT SHT EXT ASM 18" W L	Left- 80D- 18-22" W- SHORT
>>>>		80° HANGERS - MED EXT - RIGHT	
1B,2B,3-14A,15	111536	AAA STRT MED EXT ASM 12-13" W R	Right- 80D- 12-13" W- MED
1B,2C,3-14B,15	107942	AAA STRT MED EXT ASM 14-15" W R	Right- 80D- 14-15" W- MED
1B,2D,3-14C,15	107944	AAA STRT MED EXT ASM 16-17" W R	Right- 80D- 16-17" W- MED
1B,2E,3-14D,15	107946	AAA STRT MED EXT ASM 18-22" W R	Right- 80D- 18-22" W- MED
>>>>		80° HANGERS - MED EXT - LEFT	
1B,2B,3-14A,15	111537	AAA STRT MED EXT ASM 12-13" W L	Left- 80D- 12-13" W- MED
1B,2C,3-14B,15	107949	AAA STRT MED EXT ASM 14" W L	Left- 80D- 14-15" W- MED
1B,2D,3-14C,15	107951	AAA STRT MED EXT ASM 16" W L	Left- 80D- 16-17" W- MED
1B,2E,3-14D,15	107953	AAA STRT MED EXT ASM 18" W L	Left- 80D- 18-22" W- MED
>>>>		80° HANGERS - LONG EXT - RIGHT	
1C,2B,3-14A,15	111538	AAA STRT LNG EXT ASM 12-13" W R	Right- 80D- 12-13" W- LONG
1C,2C,3-14B,15	107956	AAA STRT LNG EXT ASM 14 -15" W R	Right- 80D- 14-15" W- LONG
1C,2D,3-14C,15	107958	AAA STRT LNG EXT ASM 16 -17" W R	Right- 80D- 16-17" W- LONG
1C,2E,3-14D,15	107960	AAA STRT LNG EXT ASM 18 -22" W R	Right- 80D- 18-22" W- LONG
>>>>		80° HANGERS - LONG EXT - LEFT	
1C,2B,3-14A,15	111539	AAA STRT LNG EXT ASM 12-13" W L	Left- 80D- 12-13" W- LONG
1C,2C,3-14B,15	107963	AAA STRT LNG EXT ASM 14W L	Left- 80D- 14-15" W- LONG
1C,2D,3-14C,15	107965	AAA STRT LNG EXT ASM 16W L	Left- 80D- 16-17" W- LONG

Pos.	Item Number	Description	Remarks
1C,2E,3-14D,15	107968	AAA STRT LNG EXT ASM 18W L	Left- 80D- 18-22" W- LONG
>>>>		70° HANGERS - SHORT EXT - RIGHT	
1D,2B,3-14A,15	111540	AAA BNT SHT EXT ASM 12-13" W R	Right- 60D,70D,70D HEMI - 12-13" W- SHORT
1D,2C,3-14B,15	107973	AAA BNT SHT EXT ASM 14 -15" W R	Right- 60D,70D,70D HEMI - 14-15" W- SHORT
1D,2D,3-14C,15	107975	AAA BNT SHT EXT ASM 16 -17" W R	Right- 60D,70D,70D HEMI - 16-17" W- SHORT
1D,2E,3-14D,15	107977	AAA BNT SHT EXT ASM 18 -22" W R	Right- 60D,70D,70D HEMI - 18-22" W- SHORT
>>>>		70° HANGERS - SHORT EXT - LEFT	
1D,2B,3-14A,15	111541	AAA BNT SHT EXT ASM 12-13" W L	Left- 60D,70D,70D HEMI - 12-13" W- SHORT
1D,2C,3-14B,15	107980	AAA BNT SHT EXT ASM 14 -15" W L	Left- 60D,70D,70D HEMI - 14-15" W- SHORT
1D,2D,3-14C,15	107982	AAA BNT SHT EXT ASM 16 -17" W L	Left- 60D,70D,70D HEMI - 16-17" W- SHORT
1D,2E,3-14D,15	107984	AAA BNT SHT EXT ASM 18 -22" W L	Left- 60D,70D,70D HEMI - 18-22" W- SHORT
>>>>		70° HANGERS - MED EXT - RIGHT	
1E,2B,3-14A,15	111542	AAA BNT MED EXT ASM 12-13" W R	Right- 60D,70D,70D HEMI - 12-13" W- MED
1E,2C,3-14B,15	107987	AAA BNT MED EXT ASM 14 -15" W R	Right- 60D,70D,70D HEMI - 14-15" W- MED
1E,2D,3-14C,15	107989	AAA BNT MED EXT ASM 16 -17" W R	Right- 60D,70D,70D HEMI - 16-17" W- MED
1E,2E,3-14D,15	107991	AAA BNT MED EXT ASM 18 -22" W R	Right- 60D,70D,70D HEMI - 18-22" W- MED
>>>>		70° HANGERS - MED EXT - LEFT	
1E,2B,3-14A,15	111543	AAA BNT MED EXT ASM 12-13" W L	Left- 60D,70D,70D HEMI - 12-13" W- MED
1E,2C,3-14B,15	107994	AAA BNT MED EXT ASM 14 -15" W L	Left- 60D,70D,70D HEMI - 14-15" W- MED
1E,2D,3-14C,15	107996	AAA BNT MED EXT ASM 16 -17" W L	Left- 60D,70D,70D HEMI - 16-17" W- MED
1E,2E,3-14D,15	107998	AAA BNT MED EXT ASM 18 -22" W L	Left- 60D,70D,70D HEMI - 18-22" W- MED
>>>>		70° HANGERS - LONG EXT - RIGHT	
1F,2B,3-14A,15	111544	AAA BNT LONG EXT ASM 12-13" W R	Right- 60D,70D,70D HEMI - 12-13" W- LONG
1F,2C,3-14B,15	108001	AAA BNT LONG EXT ASM 14 -15" W R	Right- 60D,70D,70D HEMI - 14-15" W- LONG
1F,2D,3-14C,15	108003	AAA BNT LONG EXT ASM 16 -17" W R	Right- 60D,70D,70D HEMI - 16-17" W- LONG
1F,2E,3-14D,15	108005	AAA BNT LONG EXT ASM 18 -22" W R	Right- 60D,70D,70D HEMI - 18-22" W- LONG
>>>>		70° HANGERS - LONG EXT - LEFT	
1F,2B,3-14A,15	111545	AAA BNT LONG EXT ASM 12-13" W L	Left- 60D,70D,70D HEMI - 12-13" W- LONG
1F,2C,3-14B,15	108008	AAA BNT LONG EXT ASM 14 -15" W L	Left- 60D,70D,70D HEMI - 14-15" W- LONG
1F,2D,3-14C,15	108010	AAA BNT LONG EXT ASM 16 -17" W L	Left- 60D,70D,70D HEMI - 16-17" W- LONG
1F,2E,3-14D,15	108012	AAA BNT LONG EXT ASM 18 -22" W L	Left- 60D,70D,70D HEMI - 18-22" W- LONG
>>>>		70° "V" HANGERS - MED EXT - RIGHT	
1G,2A,3-15	111546	AAA V MED EXT ASM 10-11" W R	Right- 70D V hangers only 10-11" W- MED
1G,2B,3-15	111548	AAA V MED EXT ASM 12-13" W R	Right- 70D V hangers only 12-13" W- MED
1G,2C,3-15	108015	AAA V MED EXT ASM 14 -15" W R	Right- 70D V hangers only 14-15" W- MED
1G,2D,3-15	108017	AAA V MED EXT ASM 16 -17" W R	Right- 70D V hangers only 16-18" W- MED
1G,2E,3-15	108019	AAA V MED EXT ASM 18 -18" W R	Right- 70D V hangers only 18-22" W- MED
>>>>		70° "V" HANGERS - MED EXT - LEFT	
1G,2A,3-15	111547	AAA V MED EXT ASM 10-11" W L	Left- 70D V hangers only 10-11" W- MED
1G,2B,3-15	111549	AAA V MED EXT ASM 12-13" W L	Left- 70D V hangers only 12-13" W- MED
1G,2C,3-15	108022	AAA V MED EXT ASM 14 -15" W L	Left- 70D V hangers only 14-15" W- MED
1G,2D,3-15	108024	AAA V MED EXT ASM 16 -17" W L	Left- 70D V hangers only 16-18" W- MED
1G,2E,3-15	108026	AAA V MED EXT ASM 18 -22: W L	Left- 70D V hangers only 18-22" W- MED
>>>>		70° "V" HANGERS - LONG EXT - RIGHT	
1H,2A,3-15	111550	AAA V LONG EXT ASM 10-11" W R	Right- 70D V hangers only 10-11" W- LONG
1H,2B,3-15	111552	AAA V LONG EXT ASM 12-13" W R	Right- 70D V hangers only 12-13" W- LONG
1H,2C,3-15	108029	AAA V LONG EXT ASM 14 -15" W R	Right- 70D V hangers only 14-15" W- LONG
1H,2D,3-15	108031	AAA V LONG EXT ASM 16 -17" W R	Right- 70D V hangers only 16-18" W- LONG
1H,2E,3-15	108033	AAA V LONG EXT ASM 18 -22: W R	Right- 70D V hangers only 18-22" W- LONG
>>>>		70° "V" HANGERS - LONG EXT - LEFT	
1H,2A,3-15	111551	AAA V LONG EXT ASM 10-11" W L	Left- 70D V hangers only 10-11" W- LONG
1H,2B,3-15	111553	AAA V LONG EXT ASM 12-13" W L	Left- 70D V hangers only 12-13" W- LONG
1H,2C,3-15	108036	AAA V LONG EXT ASM 14 -15" W L	Left- 70D V hangers only 14-15" W- LONG
1H,2D,3-15	108038	AAA V LONG EXT ASM 16 -17" W L	Left- 70D V hangers only 16-18" W- LONG
1H,2E,3-15	108040	AAA V LONG EXT ASM 18 -22" W L	Left- 70D V hangers only 18-22" W- LONG

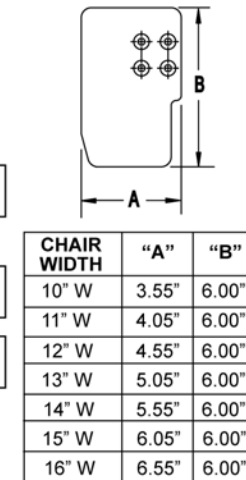
NOTE: FOOTPLATE ASSEMBLIES ARE SET TO FOOTREST WIDTH. PLEASE SEE "FOOTPLATE FORMULA" TABLE FOR SEAT WIDTH CONVERSION.

FOOTPLATE FORMULA
 0" Inset (Seat Width) = Footrest Width
 1" Inset (Seat Width) -2 = Footrest Width
 V Hanger (Seat Width) -4 = Footrest Width

Kids Angle Adjustable "KAA" Footplates w/ Ext. for Swing I/O Hangers—leg strap not included (Order 1 each)									
Ext. Tube	60°, 70° & 70° Hemi Style Hangers (Bent Extension)			80° Style hanger (Straight Extension)			70° V Style Hangers		
	Short	Med	Long	Short	Med	Long	Med	Long	
10" Right	NOT AVAILABLE IN THESE WIDTHS			NOT AVAILABLE IN THESE WIDTHS			111370	111384	
10" Left	NOT AVAILABLE IN THESE WIDTHS			NOT AVAILABLE IN THESE WIDTHS			111377	111391	
11" Right	NOT AVAILABLE IN THESE WIDTHS			NOT AVAILABLE IN THESE WIDTHS			111371	111385	
11" Left	NOT AVAILABLE IN THESE WIDTHS			NOT AVAILABLE IN THESE WIDTHS			111378	111392	
12" Right	111340	111350	111360	111310	111320	111330	111372	111386	
12" Left	111345	111355	111365	111315	111325	111335	111379	111393	
13" Right	111341	111351	111361	111311	111321	111331	111373	111387	
13" Left	111346	111356	111366	111316	111326	111336	111380	111394	
14" Right	111342	111352	111362	111312	111322	111332	111374	111388	
14" Left	111347	111357	111367	111317	111327	111337	111381	111395	
15" Right	111343	111353	111363	111313	111323	111333	111375	111389	
15" Left	111348	111358	111368	111318	111328	111338	111382	111396	
16" Right	111344	111354	111364	111314	111324	111334	111376	111390	
16" Left	111349	111359	111369	111319	111329	111339	111383	111397	



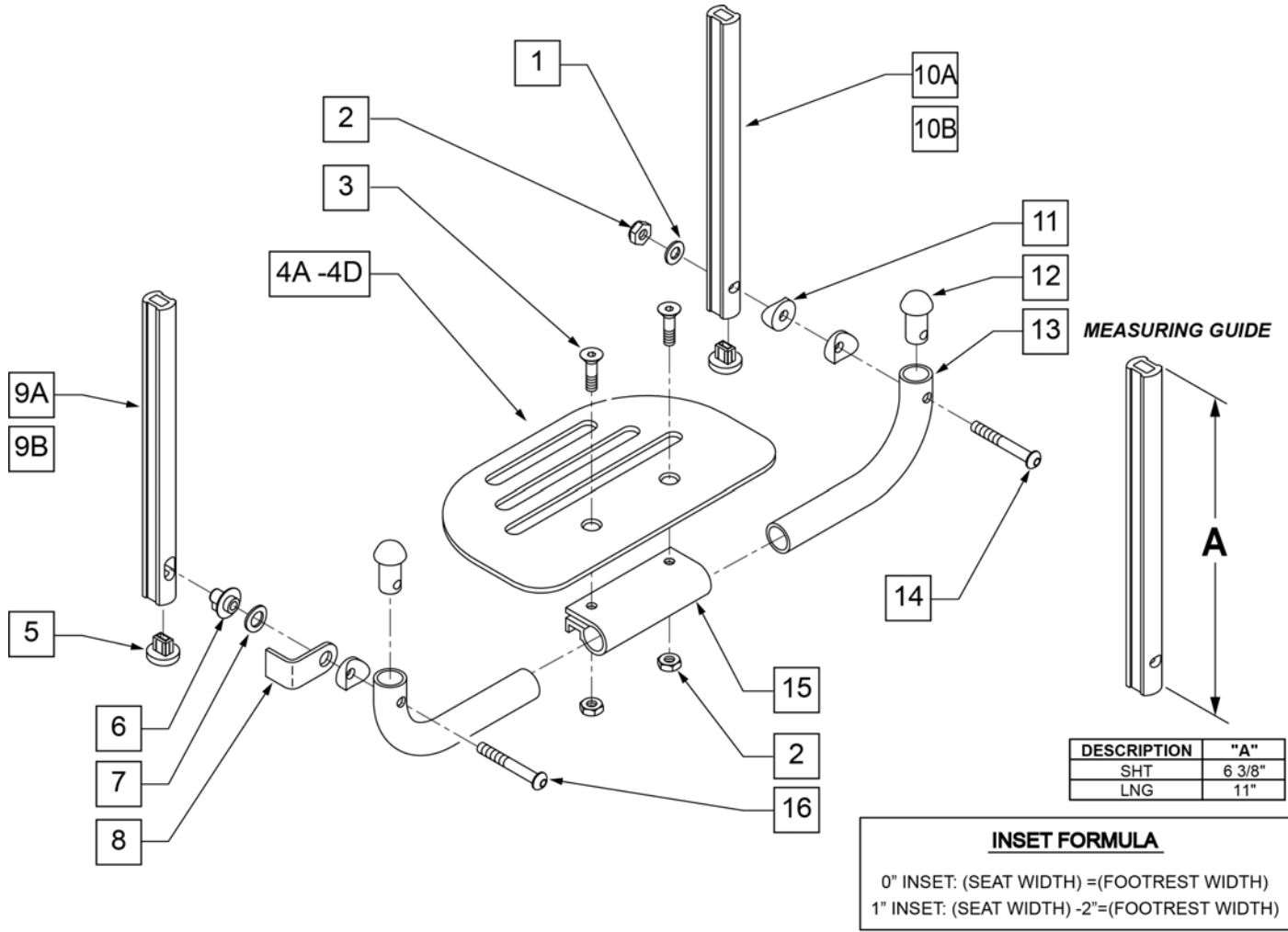
MEASURING GUIDE



Pos.	Item Number	Description	Remarks
1A	107119	TUBE FOOTREST EXT STRAIGHT SHORT	80 deg hangers only
1B	107120	TUBE FOOTREST EXT STRAIGHT MED	80 deg hangers only
1C	107121	TUBE FOOTREST EXT STRAIGHT LONG	80 deg hangers only
1D	107126	TUBE FOOTREST EXT SHORT	60,70,70 Hemi Hangers
1E	107127	TUBE FOOTREST EXT MED	60,70,70 Hemi Hangers
1F	107128	TUBE FOOTREST EXT LONG	60,70,70 Hemi Hangers
1G	106907	EXT TUBE V ONLY D2 MED LEFT	70 deg V hangers only-LEFT
1G	106908	EXT TUBE V ONLY D2 MED RIGHT	70 deg V hangers only-RIGHT
1H	106909	EXT TUBE V ONLY D2 X-LONG LEFT	70 deg V hangers only-LEFT
1H	106910	EXT TUBE V ONLY D2 X-LONG RIGHT	70 deg V hangers only-RIGHT
2A	500635	KIDS ANGL ADJ F/PLT 10" R	RIGHT -10" Footrest Width
2A	500636	KIDS ANGL ADJ F/PLT 10" L	LEFT -10" Footrest Width
2B	500637	KIDS ANGL ADJ F/PLT 11" R	RIGHT -11" Footrest Width

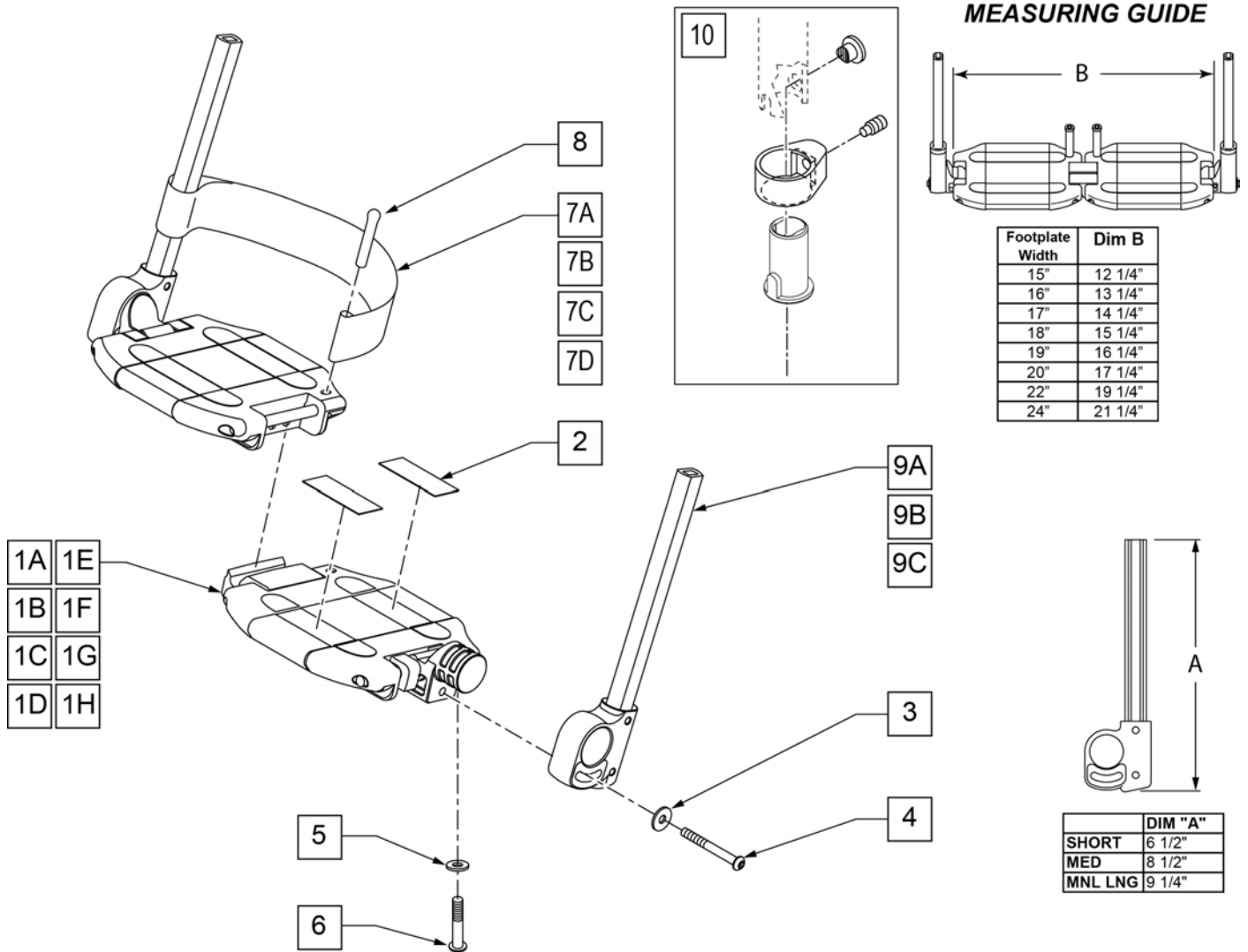
Pos.	Item Number	Description	Remarks
2B	500638	KIDS ANGL ADJ F/PLT 11" L	LEFT -11" Footrest Width
2C	500639	KIDS ANGL ADJ F/PLT 12" R	RIGHT -12" Footrest Width
2C	500640	KIDS ANGL ADJ F/PLT 12" L	LEFT -12" Footrest Width
2D	500641	KIDS ANGL ADJ F/PLT 13" R	RIGHT -13" Footrest Width
2D	500642	KIDS ANGL ADJ F/PLT 13" L	LEFT -13" Footrest Width
2E	500643	KIDS ANGL ADJ F/PLT 14" R	RIGHT -14" Footrest Width
2E	500644	KIDS ANGL ADJ F/PLT 14" L	LEFT -14" Footrest Width
2F	500645	KIDS ANGL ADJ F/PLT 15" R	RIGHT -15" Footrest Width
2F	500646	KIDS ANGL ADJ F/PLT 15" L	LEFT -15" Footrest Width
2G	500647	KIDS ANGL ADJ F/PLT 16" R	RIGHT -16" Footrest Width
2G	500648	KIDS ANGL ADJ F/PLT 16" L	LEFT -16" Footrest Width
3	106978	FHCS 1/4 -28 x 7/8 ROHS	
4	106935	NUT NYLOCK THIN 1/4-28 ROHS	
5	550350	3/4" CLAMP ADJ FT PLT	
6	107199	HANGER EXTENSION SADDLE	
7	106944	WASHER FLAT THIN AN 1/4 ROHS	
8	104381	NUT HEX NYLOCK M6 x 1.0	
9	104377	3/4" SADDLE THIN	
10	541002	FOOTREST MOUNTING BRKT 3/8 RAD R	RIGHT
10	541003	FOOTREST MOUNTING BRKT 3/8 RAD L	LEFT
11	106945	WASHER FLAT SAE 1/4 ROHS	
12	104399	SHCS M6 x 1 x 45 12mm PART THD	
1A,2C,3-12	111310	KAA STRT SHT EXT ASM 12W R	RIGHT- 80D- 12 W- SHORT
1A,2D,3-12	111311	KAA STRT SHT EXT ASM 13W R	RIGHT- 80D- 13 W- SHORT
1A,2E,3-12	111312	KAA STRT SHT EXT ASM 14W R	RIGHT- 80D- 14 W- SHORT
1A,2F,3-12	111313	KAA STRT SHT EXT ASM 15W R	RIGHT- 80D- 15 W- SHORT
1A,2G,3-12	111314	KAA STRT SHT EXT ASM 16W R	RIGHT- 80D- 16 W- SHORT
1A,2C,3-12	111315	KAA STRT SHT EXT ASM 12W L	LEFT- 80D- 12 W- SHORT
1A,2D,3-12	111316	KAA STRT SHT EXT ASM 13W L	LEFT- 80D- 13 W- SHORT
1A,2E,3-12	111317	KAA STRT SHT EXT ASM 14W L	LEFT- 80D- 14 W- SHORT
1A,2F,3-12	111318	KAA STRT SHT EXT ASM 15W L	LEFT- 80D- 15 W- SHORT
1A,2G,3-12	111319	KAA STRT SHT EXT ASM 16W L	LEFT- 80D- 16 W- SHORT
1B,2C,3-12	111320	KAA STRT MED EXT ASM 12W R	RIGHT- 80D- 12 W- MED
1B,2D,3-12	111321	KAA STRT MED EXT ASM 13W R	RIGHT- 80D- 13 W- MED
1B,2E,3-12	111322	KAA STRT MED EXT ASM 14W R	RIGHT- 80D- 14 W- MED
1B,2F,3-12	111323	KAA STRT MED EXT ASM 15W R	RIGHT- 80D- 15 W- MED
1B,2G,3-12	111324	KAA STRT MED EXT ASM 16W R	RIGHT- 80D- 16 W- MED
1B,2C,3-12	111325	KAA STRT MED EXT ASM 12W L	LEFT- 80D- 12 W- MED
1B,2D,3-12	111326	KAA STRT MED EXT ASM 13W L	LEFT- 80D- 13 W- MED
1B,2E,3-12	111327	KAA STRT MED EXT ASM 14W L	LEFT- 80D- 14 W- MED
1B,2F,3-12	111328	KAA STRT MED EXT ASM 15W L	LEFT- 80D- 15 W- MED
1B,2G,3-12	111329	KAA STRT MED EXT ASM 16W L	LEFT- 80D- 16 W- MED
1C,2C,3-12	111330	KAA STRT LNG EXT ASM 12W R	RIGHT- 80D- 12 W- LONG
1C,2D,3-12	111331	KAA STRT LNG EXT ASM 13W R	RIGHT- 80D- 13 W- LONG
1C,2E,3-12	111332	KAA STRT LNG EXT ASM 14W R	RIGHT- 80D- 14 W- LONG
1C,2F,3-12	111333	KAA STRT LNG EXT ASM 15W R	RIGHT- 80D- 15 W- LONG
1C,2G,3-12	111334	KAA STRT LNG EXT ASM 16W R	RIGHT- 80D- 16 W- LONG
1C,2C,3-12	111335	KAA STRT LNG EXT ASM 12W L	LEFT- 80D- 12 W- LONG
1C,2D,3-12	111336	KAA STRT LNG EXT ASM 13W L	LEFT- 80D- 13 W- LONG
1C,2E,3-12	111337	KAA STRT LNG EXT ASM 14W L	LEFT- 80D- 14 W- LONG
1C,2F,3-12	111338	KAA STRT LNG EXT ASM 15W L	LEFT- 80D- 15 W- LONG
1C,2G,3-12	111339	KAA STRT LNG EXT ASM 16W L	LEFT- 80D- 16 W- LONG
1D,2C,3-12	111340	KAA BNT SHT EXT ASM 12W R	RIGHT- 60 & 70D- 12 W- SHORT
1D,2D,3-12	111341	KAA BNT SHT EXT ASM 13W R	RIGHT- 60 & 70D- 13 W- SHORT
1D,2E,3-12	111342	KAA BNT SHT EXT ASM 14W R	RIGHT- 60 & 70D- 14 W- SHORT
1D,2F,3-12	111343	KAA BNT SHT EXT ASM 15W R	RIGHT- 60 & 70D- 15 W- SHORT

Pos.	Item Number	Description	Remarks
1D,2G,3-12	111344	KAA BNT SHT EXT ASM 16W R	RIGHT- 60 & 70D- 16 W- SHORT
1D,2C,3-12	111345	KAA BNT SHT EXT ASM 12W L	LEFT- 70D- 12 W- SHORT
1D,2D,3-12	111346	KAA BNT SHT EXT ASM 13W L	LEFT- 70D- 13 W- SHORT
1D,2E,3-12	111347	KAA BNT SHT EXT ASM 14W L	LEFT- 70D- 14 W- SHORT
1D,2F,3-12	111348	KAA BNT SHT EXT ASM 15W L	LEFT- 70D- 15 W- SHORT
1D,2G,3-12	111349	KAA BNT SHT EXT ASM 16W L	LEFT- 70D- 16 W- SHORT
1E,2C,3-12	111350	KAA BNT MED EXT ASM 12W R	RIGHT- 70D- 12 W- MED
1E,2D,3-12	111351	KAA BNT MED EXT ASM 13W R	RIGHT- 70D- 13 W- MED
1E,2E,3-12	111352	KAA BNT MED EXT ASM 14W R	RIGHT- 60 & 70D- 14 W- MED
1E,2F,3-12	111353	KAA BNT MED EXT ASM 15W R	RIGHT- 60 & 70D- 15 W- MED
1E,2G,3-12	111354	KAA BNT MED EXT ASM 16W R	RIGHT- 60 & 70D- 16 W- MED
1E,2C,3-12	111355	KAA BNT MED EXT ASM 12W L	LEFT- 60 & 70D- 12 W- MED
1E,2D,3-12	111356	KAA BNT MED EXT ASM 13W L	LEFT- 60 & 70D- 13 W- MED
1E,2E,3-12	111357	KAA BNT MED EXT ASM 14W L	LEFT- 60 & 70D- 14 W- MED
1E,2F,3-12	111358	KAA BNT MED EXT ASM 15W L	LEFT- 60 & 70D- 15 W- MED
1E,2G,3-12	111359	KAA BNT MED EXT ASM 16W L	LEFT- 60 & 70D- 16 W- MED
1F,2C,3-12	111360	KAA BNT LNG EXT ASM 12W R	RIGHT- 60 & 70D- 12 W- LONG
1F,2D,3-12	111361	KAA BNT LNG EXT ASM 13W R	RIGHT- 60 & 70D- 13 W- LONG
1F,2E,3-12	111362	KAA BNT LNG EXT ASM 14W R	RIGHT- 60 & 70D- 14 W- LONG
1F,2F,3-12	111363	KAA BNT LNG EXT ASM 15W R	RIGHT- 60 & 70D- 15 W- LONG
1F,2G,3-12	111364	KAA BNT LNG EXT ASM 16W R	RIGHT- 60 & 70D- 16 W- LONG
1F,2C,3-12	111365	KAA BNT LNG EXT ASM 12W L	LEFT- 60 & 70D- 12 W- LONG
1F,2D,3-12	111366	KAA BNT LNG EXT ASM 13W L	LEFT- 60 & 70D- 13 W- LONG
1F,2E,3-12	111367	KAA BNT LNG EXT ASM 14W L	LEFT- 60 & 70D- 14 W- LONG
1F,2F,3-12	111368	KAA BNT LNG EXT ASM 15W L	LEFT- 60 & 70D- 15 W- LONG
1F,2G,3-12	111369	KAA BNT LNG EXT ASM 16W L	LEFT- 60 & 70D- 16 W- LONG
1G,2A,3-12	111370	KAA V MED EXT ASM 10W R	RIGHT- 70D V hangers only 10 W- MED
1G,2B,3-12	111371	KAA V MED EXT ASM 11W R	RIGHT- 70D V hangers only 11 W- MED
1G,2C,3-12	111372	KAA V MED EXT ASM 12W R	RIGHT- 70D V hangers only 12 W- MED
1G,2D,3-12	111373	KAA V MED EXT ASM 13W R	RIGHT- 70D V hangers only 13 W- MED
1G,2E,3-12	111374	KAA V MED EXT ASM 14W R	RIGHT- 70D V hangers only 14 W- MED
1G,2F,3-12	111375	KAA V MED EXT ASM 15W R	RIGHT- 70D V hangers only 15 W- MED
1G,2G,3-12	111376	KAA V MED EXT ASM 16W R	RIGHT- 70D V hangers only 16 W- MED
1G,2A,3-12	111377	KAA V MED EXT ASM 10W L	LEFT- 70D V hangers only 10 W- MED
1G,2B,3-12	111378	KAA V MED EXT ASM 11W L	LEFT- 70D V hangers only 11 W- MED
1G,2C,3-12	111379	KAA V MED EXT ASM 12W L	LEFT- 70D V hangers only 12 W- MED
1G,2D,3-12	111380	KAA V MED EXT ASM 13W L	LEFT- 70D V hangers only 13 W- MED
1G,2E,3-12	111381	KAA V MED EXT ASM 14W L	LEFT- 70D V hangers only 14 W- MED
1G,2F,3-12	111382	KAA V MED EXT ASM 15W L	LEFT- 70D V hangers only 15 W- MED
1G,2G,3-12	111383	KAA V MED EXT ASM 16W L	LEFT- 70D V hangers only 16 W- MED
1H,2A,3-12	111384	KAA V LNG EXT ASM 10W R	RIGHT- 70D V hangers only 10 W- LONG
1H,2B,3-12	111385	KAA V LNG EXT ASM 11W R	RIGHT- 70D V hangers only 11 W- LONG
1H,2C,3-12	111386	KAA V LNG EXT ASM 12W R	RIGHT- 70D V hangers only 12 W- LONG
1H,2D,3-12	111387	KAA V LNG EXT ASM 13W R	RIGHT- 70D V hangers only 13 W- LONG
1H,2E,3-12	111388	KAA V LNG EXT ASM 14W R	RIGHT- 70D V hangers only 14 W- LONG
1H,2F,3-12	111389	KAA V LNG EXT ASM 15W R	RIGHT- 70D V hangers only 15 W- LONG
1H,2G,3-12	111390	KAA V LNG EXT ASM 16W R	RIGHT- 70D V hangers only 16 W- LONG
1H,2A,3-12	111391	KAA V LNG EXT ASM 10W L	LEFT- 70D V hangers only 10 W- LONG
1H,2B,3-12	111392	KAA V LNG EXT ASM 11W L	LEFT- 70D V hangers only 11 W- LONG
1H,2C,3-12	111393	KAA V LNG EXT ASM 12W L	LEFT- 70D V hangers only 12 W- LONG
1H,2D,3-12	111394	KAA V LNG EXT ASM 13W L	LEFT- 70D V hangers only 13 W- LONG
1H,2E,3-12	111395	KAA V LNG EXT ASM 14W L	LEFT- 70D V hangers only 14 W- LONG
1H,2F,3-12	111396	KAA V LNG EXT ASM 15W L	LEFT- 70D V hangers only 15 W- LONG
1H,2G,3-12	111397	KAA V LNG EXT ASM 16W L	LEFT- 70D V hangers only 16 W- LONG



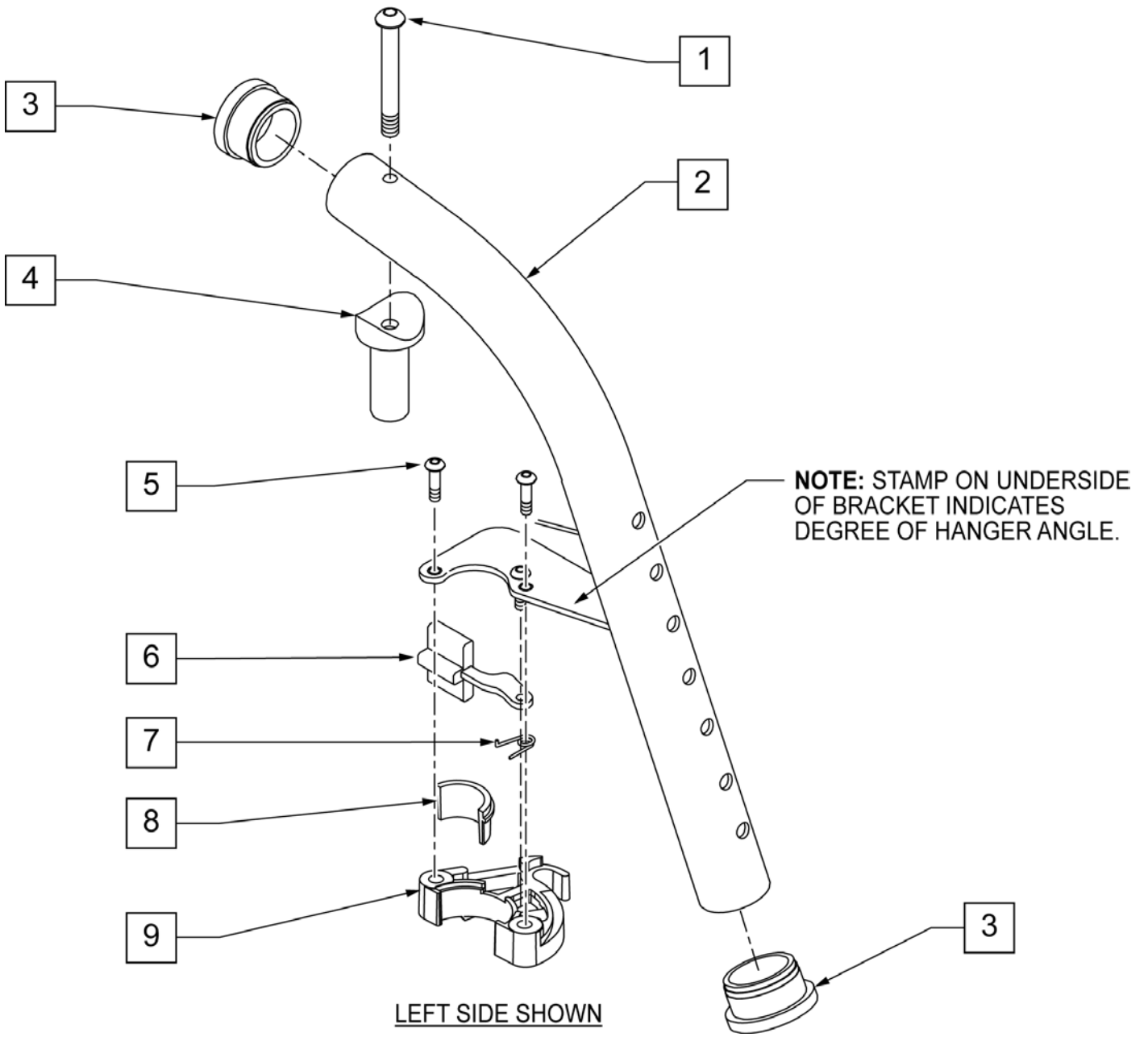
Pos.	Item Number	Description	Remarks
1	106944	WASHER FLAT THIN AN 1/4 ROHS	
2	106941	NUT AUTOMATION 1/4-28 ROHS	
3	106978	FHCS 1/4-28 X 7/8 ROHS	
4A	500651	PLATFORM F/PLT 8 x 5 1/2"	12 -14" Footrest Width
4B	500652	PLATFORM F/PLT 10" x 5 1/2"	15 -17" Footrest Width
4C	500653	PLATFORM F/PLT 12" x 5 1/2"	18 -20" Footrest Width
4D	500654	PLATFORM F/PLT 14" x 5 1/2"	21 -22" Footrest Width
5	113221	PLUG DOUBLE D EXT TUBE	
6	540410	F/UP FOOTREST KEY STUD D2	
7	107385	WASHER CURVED 3/8 ROHS	
8	505078	FOOTREST RETAINING BRACKET	
9A	106875	EXT TBE F/UP KEY SHT	Short -Latch Side
9B	106876	EXT TBE F/UP KEY LNG	Long -Latch Side
10A	106873	EXT TBE F/UP SLT SHT	Short -Pivot Side
10B	106874	EXT TBE F/UP SLT LNG	Long -Pivot Side
11	561003	3/4" SADDLE THIN	
12	561034	SHORT DOME PLUG	
14	106964	BHCS 1/4-28 X 2 ROHS	
15	550351	PLATFORM FOOTPLATE CLAMP	

Pos.	Item Number	Description	Remarks
16	107027	BHCS 1/4-28 X 1-1/4 SHLDR ROHS	
17A	740130	LEG STRAP 10"-14" BLK	12-14" Footrest Width
17B	740131	LEG STRAP 15"-17" BLK	15-17" Footrest Width
17C	740132	LEG STRAP 18"-20" BLK	18-20" Footrest Width
1-4A,6-8,11-16	900306	PLTFM F/P PLT BLK 12" D2 W/ INSTR	12" Footrest Width
1-4A,6-8,11-16	900307	PLTFM F/P PLT BLK 13" D2 W/ INSTR	13" Footrest Width
1-4A,6-8,11-16	900308	PLTFM F/P PLT BLK 14" D2 W /INSTR	14" Footrest Width
1-4B,6-8,11-16	900309	PLTFM F/P PLT BLK 15" D2 W /INSTR	15" Footrest Width
1-4B,6-8,11-16	900310	PLTFM F/P PLT BLK 16" D2 W /INSTR	16" Footrest Width
1-4B,6-8,11-16	900311	PLTFM F/P PLT BLK 17" D2 W /INSTR	17" Footrest Width
1-4C,6-8,11-16	900312	PLTFM F/P PLT BLK 18" D2 W /INSTR	18" Footrest Width
1-4C,6-8,11-16	900313	PLTFM F/P PLT BLK 19" D2 W /INSTR	19" Footrest Width
1-4C,6-8,11-16	900314	PLTFM F/P PLT BLK 20" D2 W/ INSTR	20" Footrest Width
1-4D,6-8,11-16	900315	PLTFM F/P PLT BLK 21" D2 W/ INSTR	21" Footrest Width
1-4D,6-8,11-16	900316	PLTFM F/P PLT BLK 22" D2 W/ INSTR	22" Footrest Width
		SHORT EXT ASSEMBLIES	
1-3,4A,5-8,9A,10B,11-16	108043	PLTFRM FLIP FTRST SHT 12W	12" wide (Short)
1-3,4A,5-8,9A,10B,11-16	108044	PLTFRM FLIP FTRST SHT 13W	13" wide (Short)
1-3,4A,5-8,9A,10B,11-16	108045	PLTFRM FLIP FTRST SHT 14W	14" wide (Short)
1-3,4B,5-8,9A,10B,11-16	108046	PLTFRM FLIP FTRST SHT 15W	15" wide (Short)
1-3,4B,5-8,9A,10B,11-16	108047	PLTFRM FLIP FTRST SHT 16W	16" wide (Short)
1-3,4B,5-8,9A,10B,11-16	108048	PLTFRM FLIP FTRST SHT 17W	17" wide (Short)
1-3,4C,5-8,9A,10B,11-16	108049	PLTFRM FLIP FTRST SHT 18W	18" wide (Short)
1-3,4C,5-8,9A,10B,11-16	108051	PLTFRM FLIP FTRST SHT 19W	19" wide (Short)
1-3,4C,5-8,9A,10B,11-16	108052	PLTFRM FLIP FTRST SHT 20W	20" wide (Short)
1-3,4D,5-8,9A,10B,11-16	111554	PLTFRM FLIP FTRST SHT 21W	21" wide (Short)
1-3,4D,5-8,9A,10B,11-16	111555	PLTFRM FLIP FTRST SHT 22W	22" wide (Short)
		LONG EXT ASSEMBLIES	
1-3,4A,5-8,9B,10A,11-16	108053	PLTFRM FLIP FTRST LONG 12W	12" wide (Long)
1-3,4A,5-8,9B,10A,11-16	108054	PLTFRM FLIP FTRST LONG 13W	13" wide (Long)
1-3,4A,5-8,9B,10A,11-16	108055	PLTFRM FLIP FTRST LONG 14W	14" wide (Long)
1-3,4B,5-8,9B,10A,11-16	108056	PLTFRM FLIP FTRST LONG 15W	15" wide (Long)
1-3,4B,5-8,9B,10A,11-16	108057	PLTFRM FLIP FTRST LONG 16W	16" wide (Long)
1-3,4B,5-8,9B,10A,11-16	108058	PLTFRM FLIP FTRST LONG 17W	17" wide (Long)
1-3,4C,5-8,9B,10A,11-16	108059	PLTFRM FLIP FTRST LONG 18W	18" wide (Long)
1-3,4C,5-8,9B,10A,11-16	108060	PLTFRM FLIP FTRST LONG 19W	19" wide (Long)
1-3,4C,5-8,9B,10A,11-16	108061	PLTFRM FLIP FTRST LONG 20W	20" wide (Long)
1-3,4D,5-8,9B,10A,11-16	111556	PLTFRM FLIP FTRST LONG 21W	21" wide (Long)
1-3,4D,5-8,9B,10A,11-16	111557	PLTFRM FLIP FTRST LONG 22W	22" wide (Long)

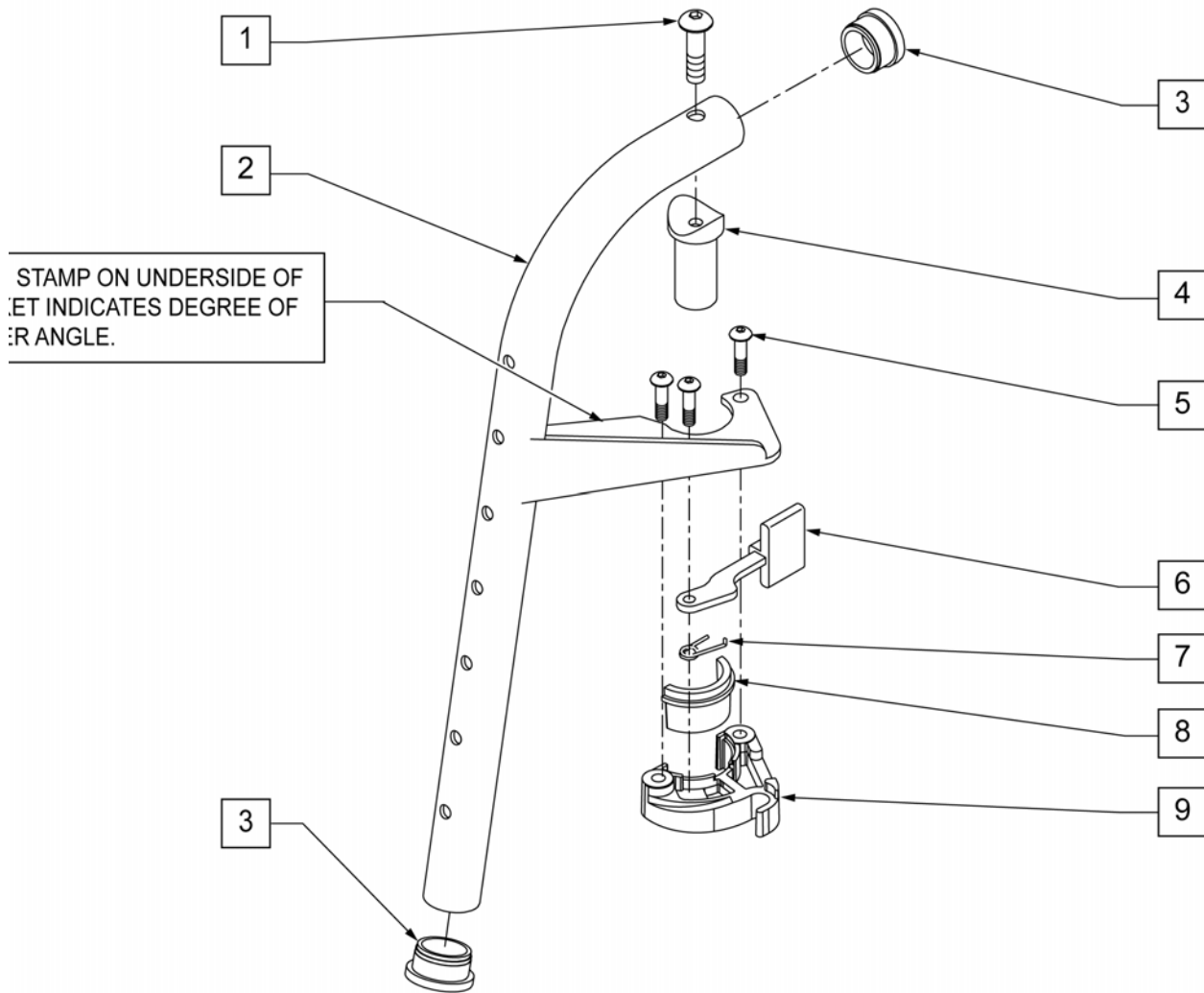


Pos.	Item Number	Description	Remarks
2	360010	FOOT BOARD SKID TAPE	
3	250070	M6 WASHER	
4	210000	M6 x 55 8.8 BUTTON HD CAP SCRW	
5	106944	1/4 AN WASHER FLAT THIN	
6	106958	1/4-20 x 1 HEX C/S	
7A	741151	HEEL LOOP 14-15 CMPST EA 13.24 44	15" Footrest Width
7B	741156	HEEL LOOP 18-20 CMPST HEMI	16 -17" Footrest Width
7C	741153	HEEL LOOP 18-20 CMPST/14-15 ANG ADJ	18 -20" Footrest Width
7D	741253	HEEL LOOP ADLT ADJ F/PLT 18-20	21 & 22" Footrest Width
8	561040	HEEL LOOP PEG	
9A	109780	EXT TUBE PLTFRM SMALL ASSM	SMALL EXT
9B	109781	EXT TUBE PLTFRM MEDIUM ASSM	MEDIUM EXT
9C	109782	EXT TUBE PLTFRM LONG ASSM	LONG EXT
10	107485	FOOTREST CLAMP ASSM	
1A,2-7A,8	820620	LOCKING FTPLT 15" W LEFT	Left -15" Footrest Width
1A,2-7A,8	820621	LOCKING FTPLT 15" W RIGHT	Right -15" Footrest Width
1B,2-7B,8	820622	LOCKING FTPLT 16" W LEFT	Left -16" Footrest Width
1B,2-7B,8	820623	LOCKING FTPLT 16" W RIGHT	Right -16" Footrest Width

Pos.	Item Number	Description	Remarks
1C,2-7B,8	820624	LOCKING FTPLT 17" W LEFT	Left -17" Footrest Width
1C,2-7B,8	820625	LOCKING FTPLT 17" W RIGHT	Right -17" Footrest Width
1D,2-7C,8	820626	LOCKING FTPLT 18" W LEFT	Left -18" Footrest Width
1D,2-7C,8	820627	LOCKING FTPLT 18" W RIGHT	Right -18" Footrest Width
1E,2-7C,8	820628	LOCKING FTPLT 19" W LEFT	Left -19" Footrest Width
1E,2-7C,8	820629	LOCKING FTPLT 19" W RIGHT	Right -19" Footrest Width
1F,2-7C,8	820630	LOCKING FTPLT 20" W LEFT	Left -20" Footrest Width
1F,2-7C,8	820631	LOCKING FTPLT 20" W RIGHT	Right -20" Footrest Width
1H,2-7D,8	820632	LOCKING FTPLT 22" W LEFT	Left -22" Footrest Width
1H,2-7D,8	820633	LOCKING FTPLT 22" W RIGHT	Right -22" Footrest Width
		FOOTPLATE W/ SMALL EXT	
1A,2-7A,8,9A	109783	15" W LOCKING F/PLT SMALL EXT HL	Small Ext 15" Footrest Width
1B,2-7B,8,9A	109787	16" W LOCKING F/PLT SMALL EXT HL	Small Ext 16" Footrest Width
1C,2-7B,8,9A	109790	17" W LOCKING F/PLT SMALL EXT HL	Small Ext 17" Footrest Width
1D,2-7C,8,9A	109793	18" W LOCKING F/PLT SMALL EXT HL	Small Ext 18" Footrest Width
1E,2-7C,8,9A	109796	19" W LOCKING F/PLT SMALL EXT HL	Small Ext 19" Footrest Width
1F,2-7C,8,9A	109799	20" W LOCKING F/PLT SMALL EXT HL	Small Ext 20" Footrest Width
1G,2-7D,8,9A	109802	21" W LOCKING F/PLT SMALL EXT HL	Small Ext 21" Footrest Width
1H,2-7D,8,9A	109805	22" W LOCKING F/PLT SMALL EXT HL	Small Ext 22" Footrest Width
		FOOTPLATE W/ MED EXT	
1A,2-7A,8,9B	109784	15" W LOCKING F/PLT MED EXT HL	Med Ext 15" Footrest Width
1B,2-7B,8,9B	109788	16" W LOCKING F/PLT MED EXT HL	Med Ext 16" Footrest Width
1C,2-7B,8,9B	109791	17" W LOCKING F/PLT MED EXT HL	Med Ext 17" Footrest Width
1D,2-7C,8,9B	109794	18" W LOCKING F/PLT MED EXT HL	Med Ext 18" Footrest Width
1E,2-7C,8,9B	109797	19" W LOCKING F/PLT MED EXT HL	Med Ext 19" Footrest Width
1F,2-7C,8,9B	109800	20" W LOCKING F/PLT MED EXT HL	Med Ext 20" Footrest Width
1G,2-7D,8,9B	109803	21" W LOCKING F/PLT MED EXT HL	Med Ext 21" Footrest Width
1H,2-7D,8,9B	109806	22" W LOCKING F/PLT MED EXT HL	Med Ext 22" Footrest Width
		FOOTPLATE W/ LONG EXT	
1A,2-7A,8,9C	109786	15" W LOCKING F/PLT LONG EXT HL	Long Ext 15" Footrest Width
1B,2-7B,8,9C	109789	16" W LOCKING F/PLT LONG EXT HL	Long Ext 16" Footrest Width
1C,2-7B,8,9C	109792	17" W LOCKING F/PLT LONG EXT HL	Long Ext 17" Footrest Width
1D,2-7C,8,9C	109795	18" W LOCKING F/PLT LONG EXT HL	Long Ext 18" Footrest Width
1E,2-7C,8,9C	109798	19" W LOCKING F/PLT LONG EXT HL	Long Ext 19" Footrest Width
1F,2-7C,8,9C	109801	20" W LOCKING F/PLT LONG EXT HL	Long Ext 20" Footrest Width
1G,2-7D,8,9C	109804	21" W LOCKING F/PLT LONG EXT HL	Long Ext 21" Footrest Width
1H,2-7D,8,9C	109807	22" W LOCKING F/PLT LONG EXT HL	Long Ext 22" Footrest Width

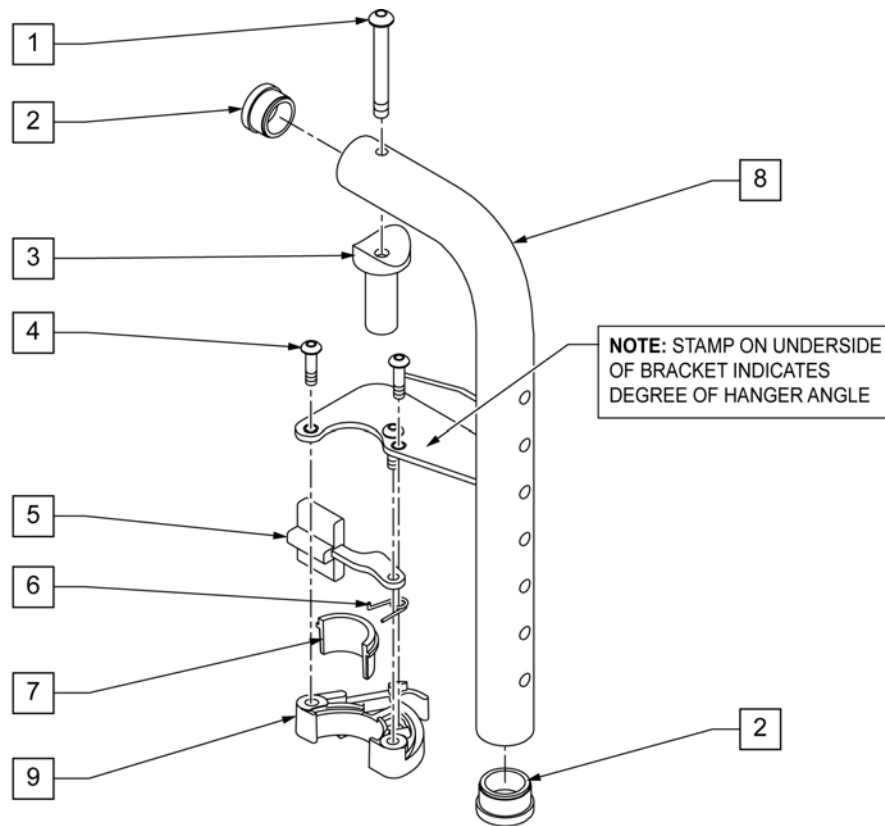


Pos.	Item Number	Description	Remarks
1	226217	5/16-18 x 2 BH C/S BLK	
3	561002	1" INSERT PLUG .083	
4	561197	PLASTIC PIVOT SADDLE	
5	226057	10/24 x .725 BTTN HD SOC BZ	
6	561079	S/A LATCH LEVER	
7	321136	S/A SPRING L RED	LEFT
7	321137	S/A SPRING R CLEAR	RIGHT
8,9	881500	LATCH BLOCK ASSM R	RIGHT
8,9	881501	LATCH BLOCK ASSM L	LEFT
1-9	641142S	HANGER 70D R PNTD S/A F/MT	RIGHT
1-9	641143S	HANGER 70D L PNTD S/A F/MT	LEFT
5-9	881521	S/A LATCH KIT CASTING	RIGHT
5-9	881522	S/A LATCH KIT CASTING	LEFT

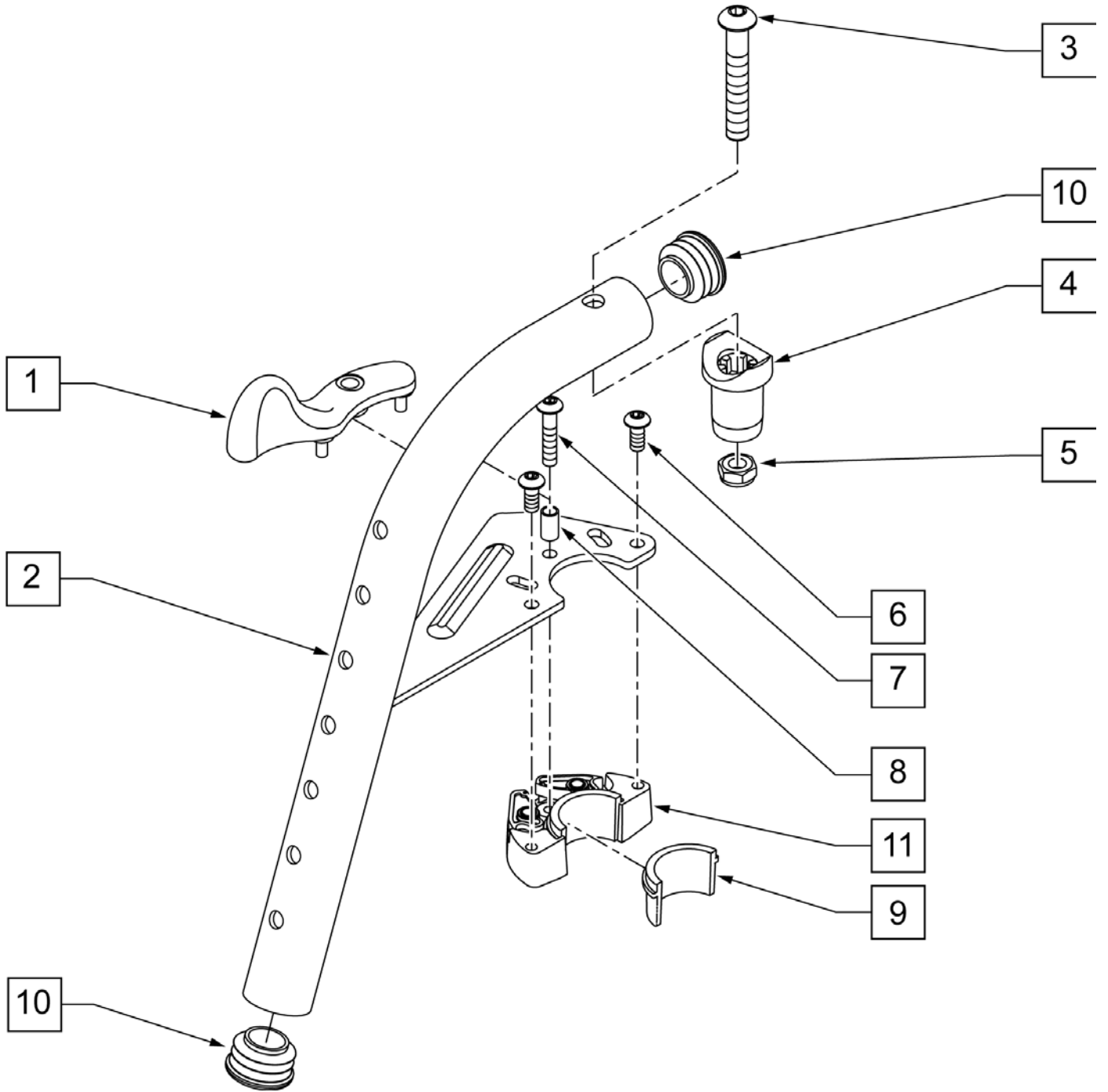


Pos.	Item Number	Description	Remarks
1	226217	5/16-18 x 2 BH C/S BLK	
3	561002	1" INSERT PLUG .083	
4	561197	PLASTIC PIVOT SADDLE	
5	226057	10/24 x .725 BTTN HD SOC BZ	
6	561079	S/A LATCH LEVER	
7	321136	S/A SPRING L RED	LEFT
7	321137	S/A SPRING R CLEAR	RIGHT
8,9	881500	LATCH BLOCK ASSM R	RIGHT
8,9	881501	LATCH BLOCK ASSM L	LEFT
1-9	641144S	HANGER 80D R PNTD S/A F/MT	RIGHT
1-9	641145S	HANGER 80D L PNTD S/A F/MT	LEFT
5-9	881521	S/A LATCH KIT CASTING	RIGHT
5-9	881522	S/A LATCH KIT CASTING	LEFT

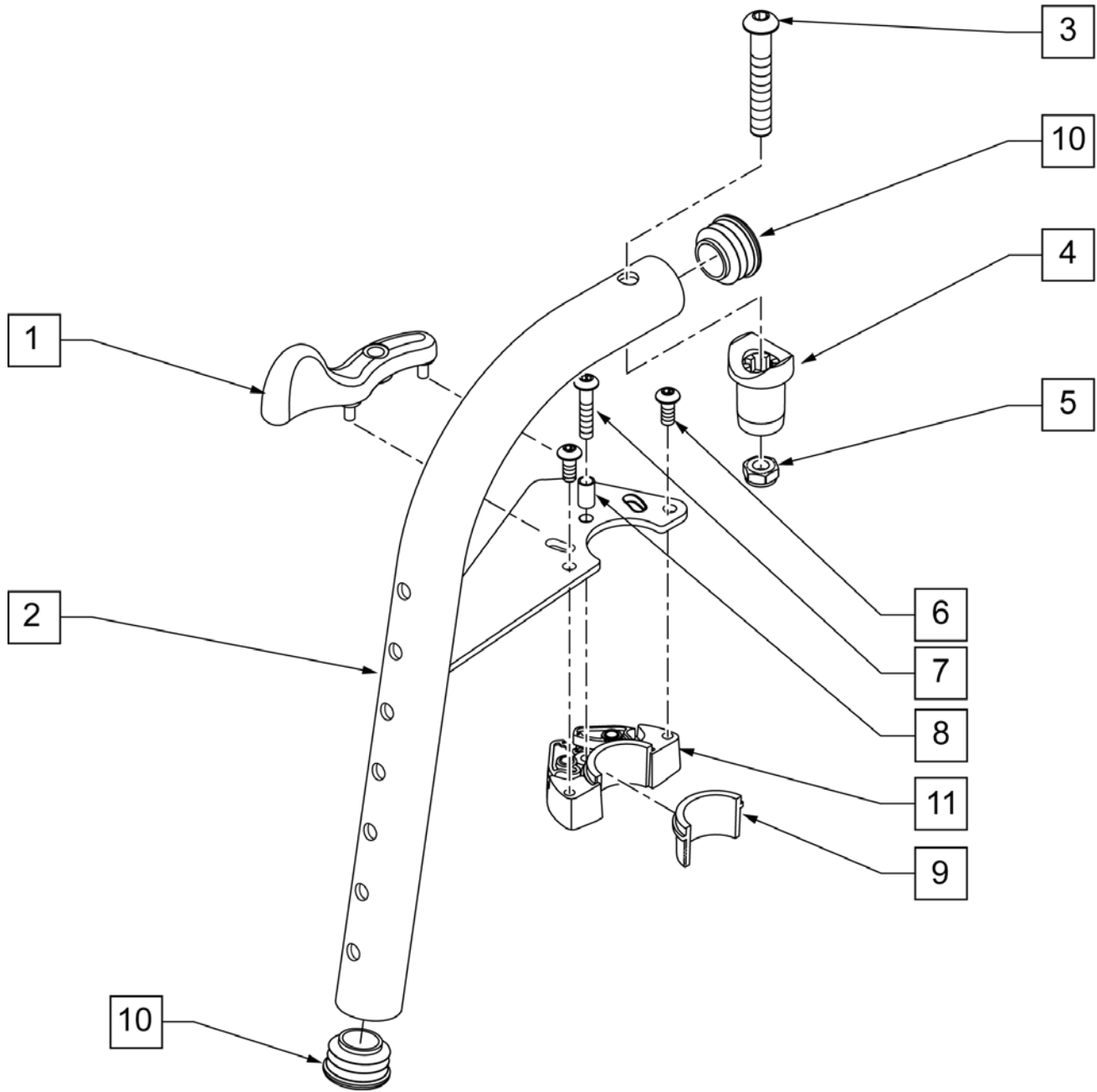
NOTE: DISCONTINUED ON LX/LXI 10/24/2008 -PARTS ONLY FOR CHAIRS BUILT PRIOR TO SERIAL NUMBER LX-034330.



Pos.	Item Number	Description	Remarks
1	226217	5/16-18 x 2 BH C/S BLK	
2	561002	1" INSERT PLUG .083	
3	561197	PLASTIC PIVOT SADDLE	
4	226057	10/24 x .725 BTTN HD SOC BZ	
5	561079	S/A LATCH LEVER	
6	321136	S/A SPRING L RED	LEFT
6	321137	S/A SPRING R CLEAR	RIGHT
1,3	880545	PIVOT SADDLE .125 W/SCREW	
7,9	881500	LATCH BLOCK ASSM R	RIGHT
7,9	881501	LATCH BLOCK ASSM L	LEFT
1-9	641556S	HANGER 90D R PNTD S/A	RIGHT
1-9	641557S	HANGER 90D L PNTD S/A	LEFT
5-9	881521	S/A LATCH KIT CASTING	RIGHT
5-9	881522	S/A LATCH KIT CASTING	LEFT

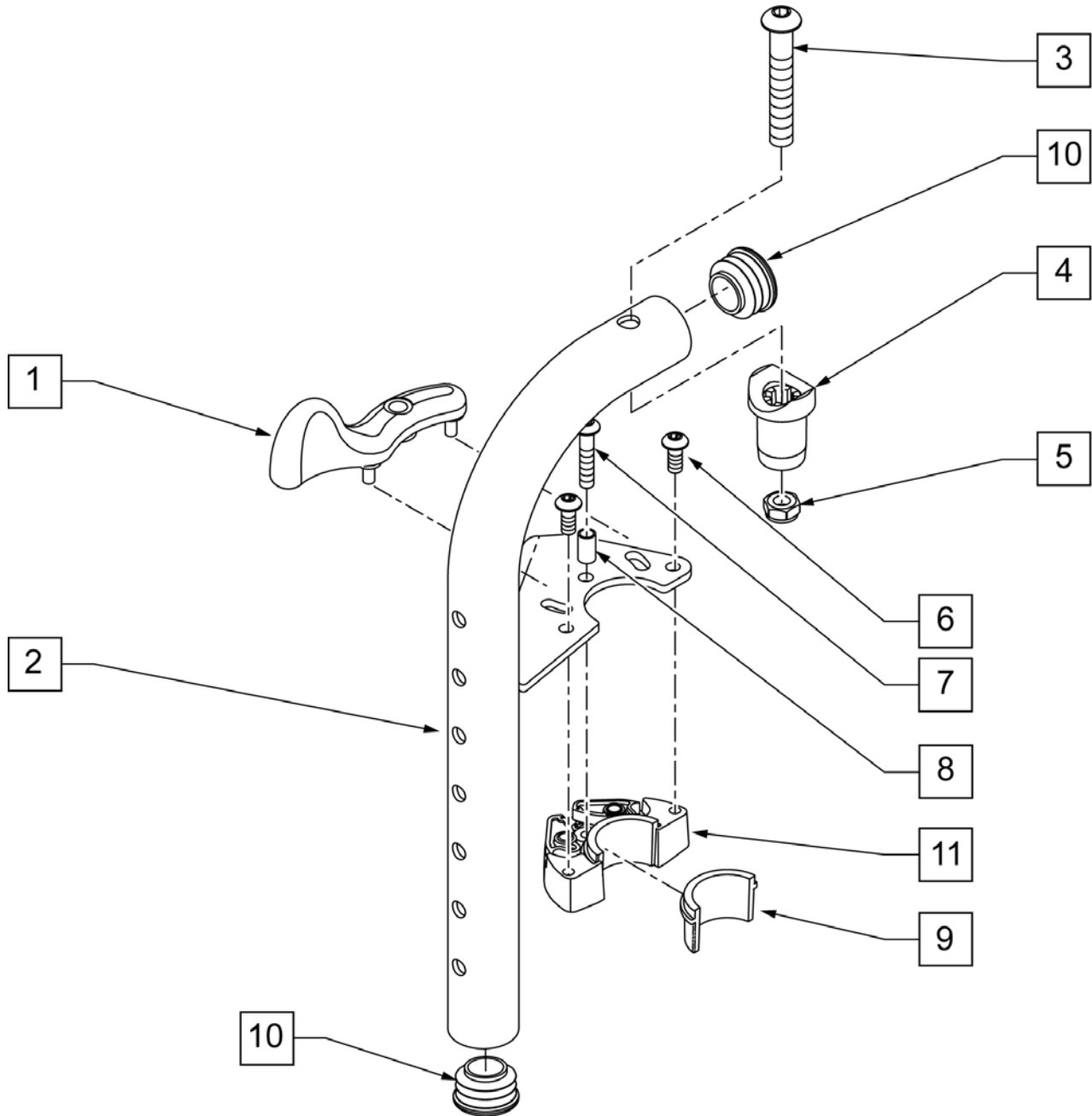


Pos.	Item Number	Description	Remarks
1	052296	SWING I/O LATCH LEVER R W/ PINS	RIGHT
1	052297	SWING I/O LATCH LEVER L W/ PINS	LEFT
3	106983	BHCS 5/16 -18 x 2 SHLDR ROHS	
4	561197	PLASTIC PIVOT SADDLE	Includes nylock nut
5	202117	5/16-18 NYLOCK NUT THICK BLK	
6	102259-001	BHCS M5 X .8 X 12 BLK W/ PL	
7	230494	M5-30 BTTN HD SOC C/S BLK	
8	052054	BUSHING PIVOT HANGER SWING I/O	
10	561062	1" INSERT PLUG .065 RIBS	
6,9,11	120976	ASSY LATCH BLOCK ANTI LIFT	
1-11	101153S	70D FM SWING I/O HNGR ASSY R	RIGHT
1-11	101154S	70D FM SWING I/O HNGR ASSY L	LEFT



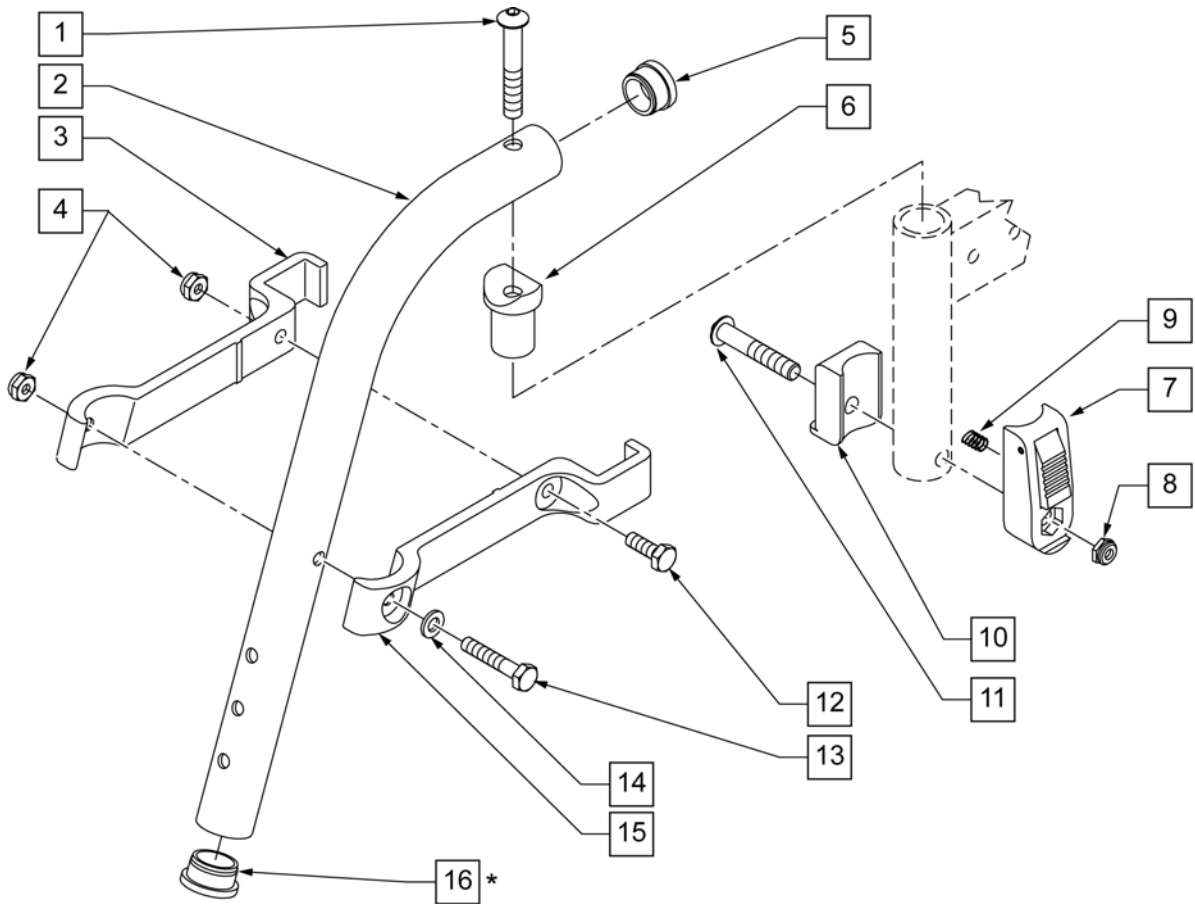
Pos.	Item Number	Description	Remarks
1	052296	SWING I/O LATCH LEVER R w/ PINS	RIGHT
1	052297	SWING I/O LATCH LEVER L w/ PINS	LEFT
3	106983	BHCS 5/16 -18 x 2 SHLDR ROHS	
4	561197	PLASTIC PIVOT SADDLE	Includes nylock nut
5	202117	5/16-18 NYLOCK NUT THICK BLK	
6	102259-001	BHCS M5 X .8 X 12 BLK W/PL	
7	230494	M5-30 BTTN HD SOC C/S BLK	
8	052054	BUSHING PIVOT HANGER SWING I/O	
10	561062	1" INSERT PLUG .065 RIBS	
6,9,11	120976	ASSY LATCH BLOCK ANTI LIFT	
1A,2A,3-11	101155S	80D FM SWNG I/O HNDR ASSY R	RIGHT
1B,2B,3-11	101156S	80D FM SWNG I/O HNDR ASSY L	LEFT

NOTE: Effective on LX/LXI as of 10/24/2008.



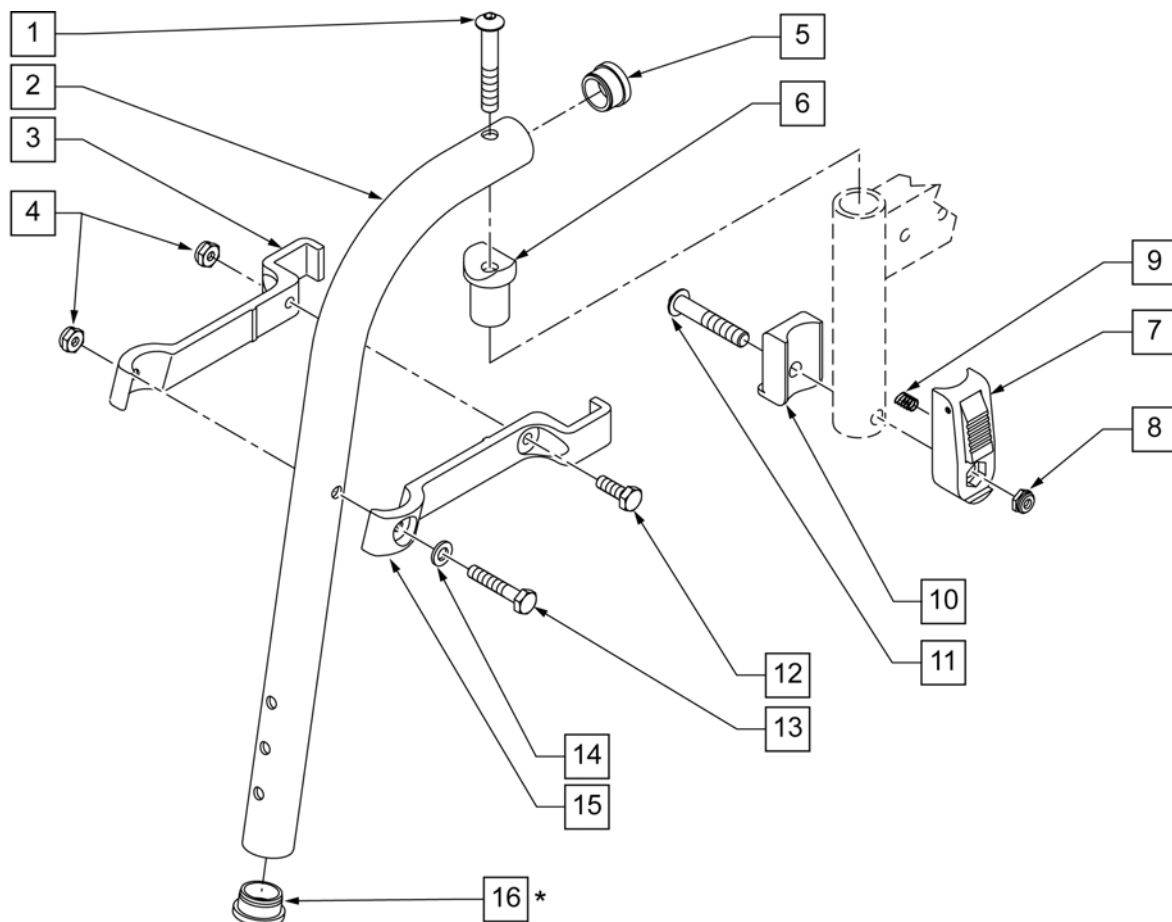
Pos.	Item Number	Description	Remarks
1	052296	SWING I/O LATCH LEVER R w/ PINS	RIGHT
1	052297	SWING I/O LATCH LEVER L w/ PINS	LEFT
3	106983	BHCS 5/16 -18 x 2 SHLDR ROHS	
4	561197	PLASTIC PIVOT SADDLE	
5	202117	5/16-18 NYLOCK NUT THICK BLK	
6	102259-001	BHCS M5 x .8 x 12 W /PL INORG	
7	230494	M5-30 BTTN HD SOC C/S BLK	
8	052054	BUSHING PIVOT HANGER SWING I/O	
10	561062	1" INSERT PLUG .065 RIBS	
6,9,11	120976	ASSY LATCH BLOCK ANTI LIFT	
1A,2A,3-11	101157S	90D FM SWNG I/O HNGR ASSY R	RIGHT
1B,2B,3-11	101158S	90D FM SWNG I/O HNGR ASSY L	LEFT

NOTE: * ORDER ITEM 16 WHEN NOT USING FOOTREST EXTENSION.



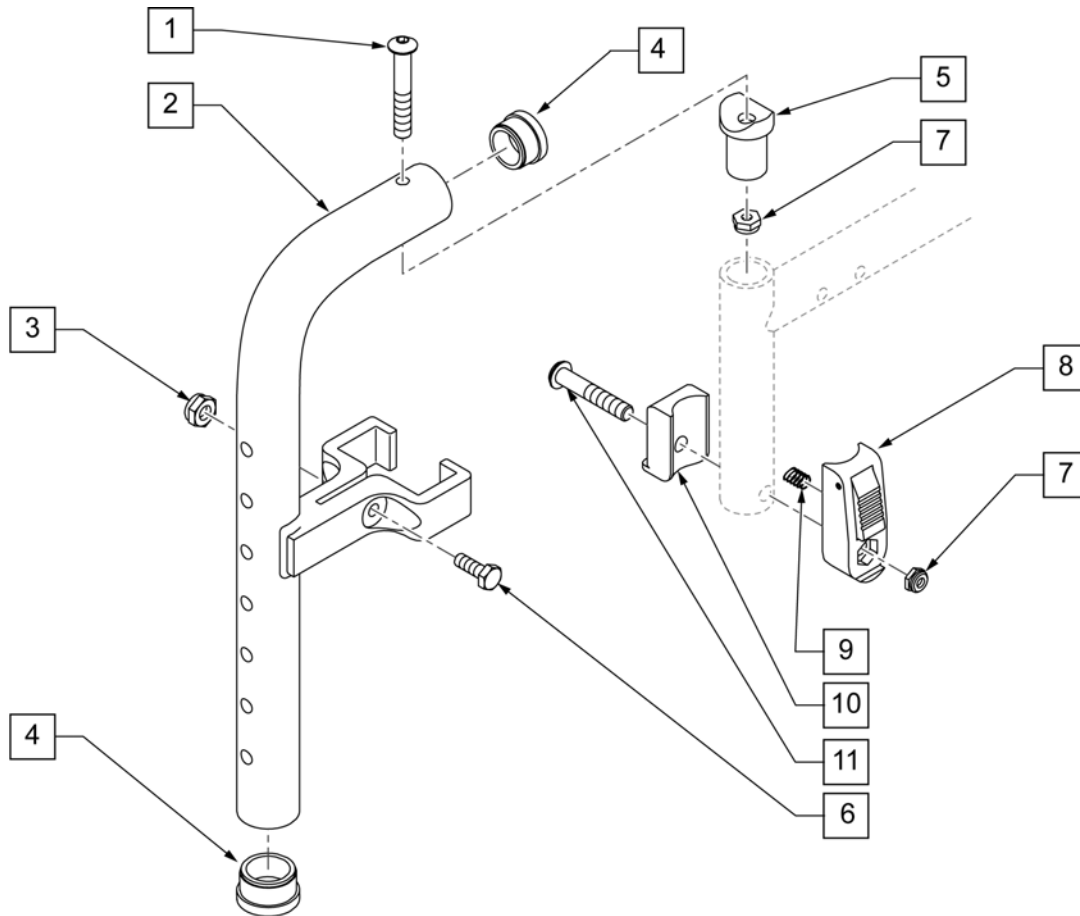
Pos.	Item Number	Description	Remarks
1	106983	BHCS 5/16 -18 x 2 SHLDR ROHS	
3	550152	T45 HANGER BRACKET 70° R	
4	106935	NUT NYLOCK THIN 1/4 -28 ROHS	
5	561002	1" INSERT PLUG .083	
6	561197	PLASTIC PIVOT SADDLE	
7	880053	FOOTREST BLOCK T45	
8	202117	5/16-18 NYLOCK NUT THICK BLK	
9	321141	.650 x 6 COIL SPRING	
10	560684	T45 FOOTREST BLOCK RECESSED	
11	107029	BHCS 5/16 -18 x 1 5/8 SHLD ROHS	
12	107014	HHCS 1/4 -28 x 3/4 ROHS	
13	106971	HHCS 1/4 -28 x 1 3/8 ROHS	
14	106943	WASHER FLAT AN 1/4 ROHS	
15	550153	T45 HANGER BRACKET 70° L	
16	561002	1" INSERT PLUG .083	ORDER WHEN NOT USING FOOTREST EXTENSION
7-11	920720	FOOTREST BLOCK ASSEMBLY W/BOLT HD	
1-6,12-15	641210S	HANGER 70D PNTD R HD	
1-6,12-15	641211S	HANGER 70D PNTD L HD	

NOTE: * ORDER ITEM 16 WHEN NOT USING FOOTREST EXTENSION.

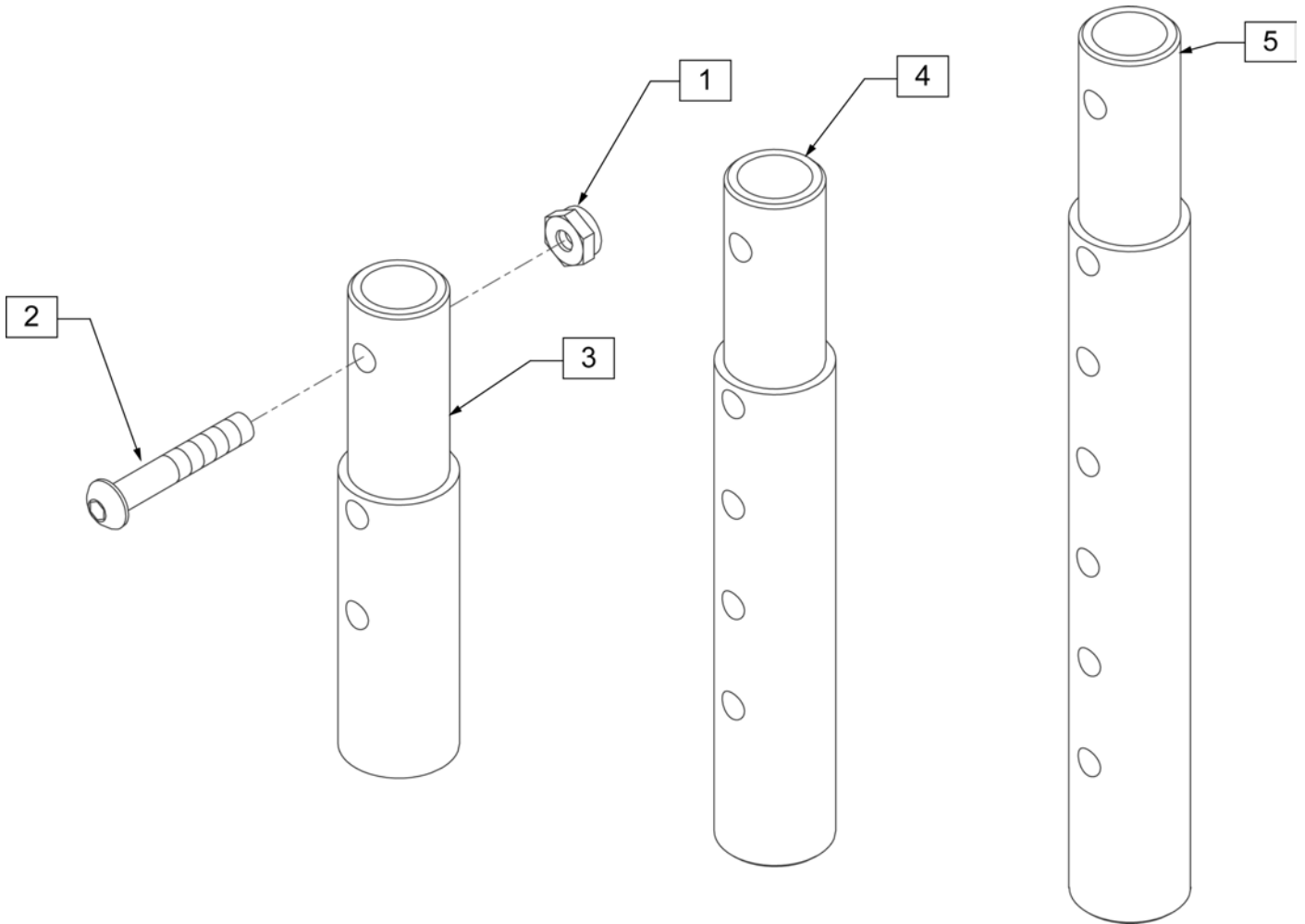


Pos.	Item Number	Description	Remarks
1	106983	BHCS 5/16 -18 x 2 SHLDR ROHS	
3	550154	T45 HANGER BRACKET 80° R	
4	106935	NUT NYLOCK THIN 1/4 -28 ROHS	
5	561002	1" INSERT PLUG .083	
6	561197	PLASTIC PIVOT SADDLE	
7	880053	FOOTREST BLOCK T45	
8	202117	5/16-18 NYLOCK NUT THICK BLK	
9	321141	.650L x 6 COIL SPRING	
10	560684	T45 FOOTREST BLOCK RECESSED	
11	107029	BHCS 5/16 -18 x 1 5/8 SHLD ROHS	
12	107014	HHCS 1/4 -28 x 3/4 ROHS	
13	106971	HHCS 1/4 -28 x 1 3/8 ROHS	
14	106943	WASHER FLAT AN 1/4 ROHS	
15	550155	T45 HANGER BRACKET 80° L	
16	561002	1" INSERT PLUG .083	ORDER WHEN NOT USING FOOTREST EXTENSION
7-11	920720	FOOTREST BLOCK ASSEMBLY W/BOLT HD	
1-6,12-15	641200S	HANGER 80D PNTD R HD	
1-6,12-15	641201S	HANGER 80D PNTD L HD	

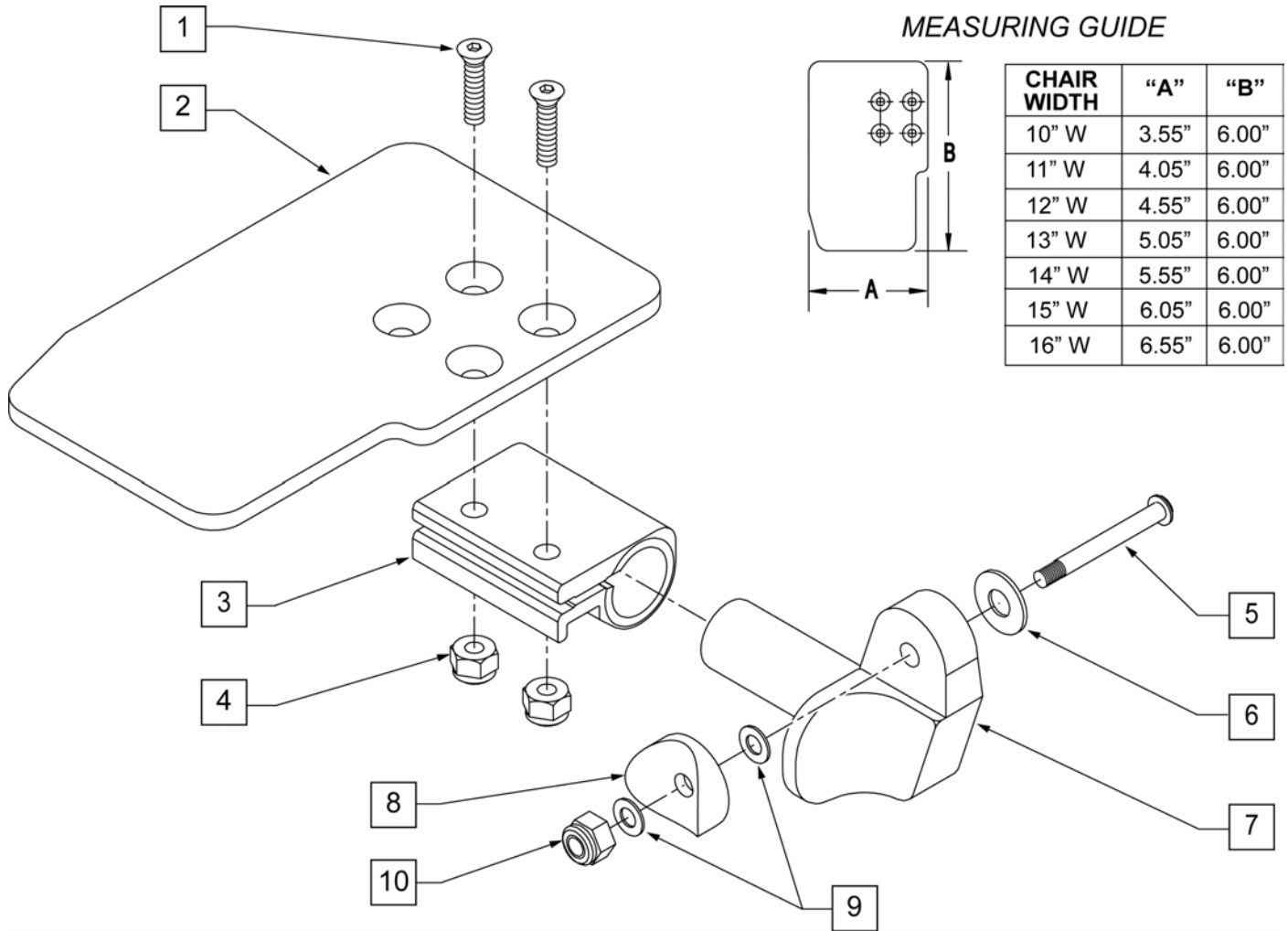
NOTE: THIS HANGER HAS BEEN TESTED AND APPROVED FOR OCCUPANTS THAT WEIGH LESS THAN 150 POUNDS.



Pos.	Item Number	Description	Remarks
1	106983	BHCS 5/16 -18 x 2 SHLDR ROHS	
3	106935	NUT NYLOCK THIN 1/4 -28 ROHS	
4	561002	1" INSERT PLUG .083	
5	561197	PLASTIC PIVOT SADDLE	Includes nylock nut
6	107013	HHCS 1/4 -28 x 5/8 ROHS	
7	880053	FOOTREST BLOCK T45	
8	202117	5/16-18 NYLOCK NUT THICK BLK	
9	321141	.650L x 6 COIL SPRING	
10	560684	T45 FOOTREST BLOCK RECESSED	
11	107029	BHCS 5/16 -18 x 1 5/8 SHLD ROHS	
7-11	920720	FOOTREST BLOCK ASSM W/BOLT HD	
1-7	885005S	90 DEG F/D H/D L/O HNGR ASSM PNTD	



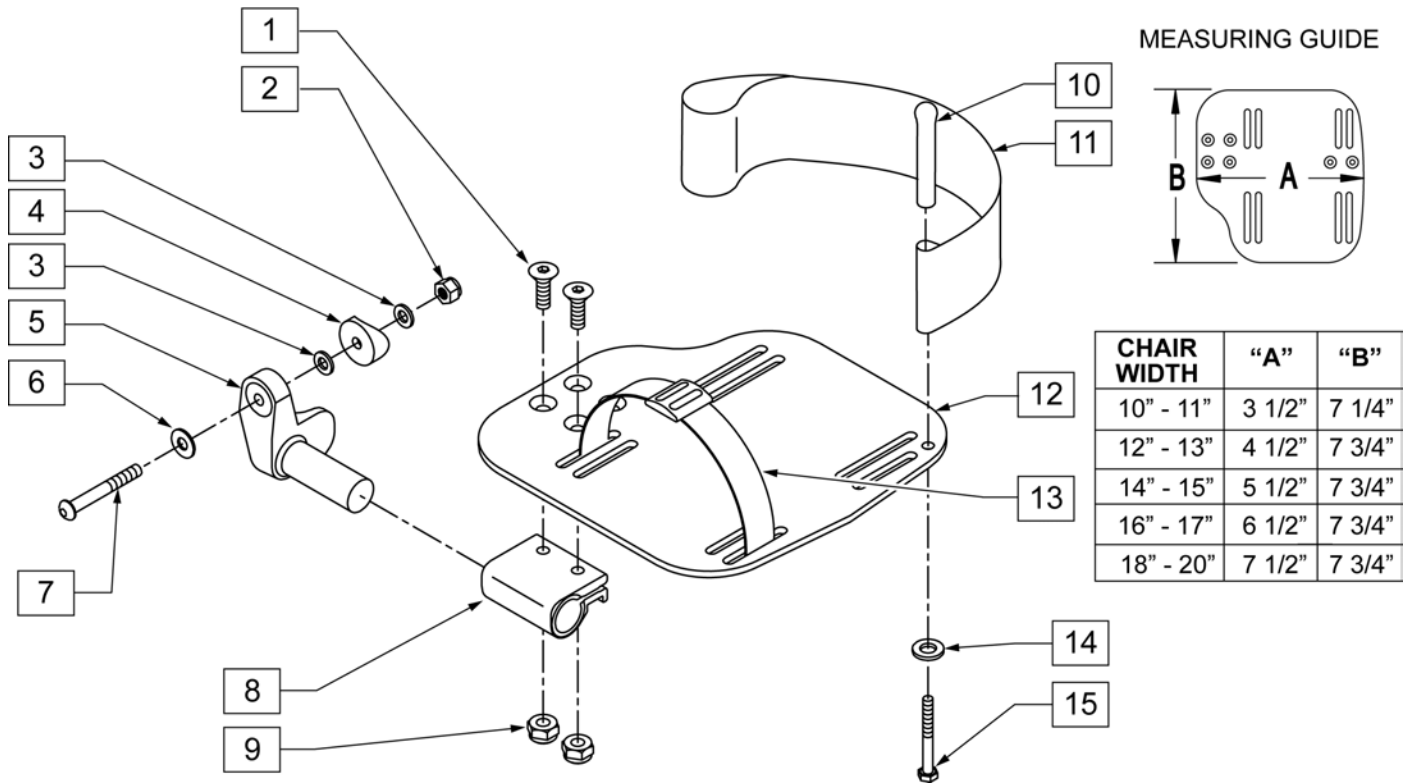
Pos.	Item Number	Description	Remarks
1	106935	NUT NYLOCK THIN 1/4 -28 ROHS	
2	106961	BHCS 1/4 -28 x 1 1/4 ROHS	
1-3	111505	2" FOOTREST EXTENSION TUBE W/ HDWR ASSM	2" EXT (PAIR)
1, 2, 4	111506	4" FOOTREST EXTENSION TUBE W/ HDWR ASSM	4" EXT (PAIR)
1, 2, 5	111507	6" FOOTREST EXTENSION TUBE W/ HDWR ASSM	6" EXT (PAIR)



Pos.	Item Number	Description	Remarks	Pos.	Item Number	Description	Remarks
1	106978	FHCS 1/4-28 X 7/8 ROHS		7	541001	FTRST MOUNTING BRKT 1 RAD	LEFT
2	500635	KIDS ANGL ADJ F/PLT 10	RIGHT	8	561004	1 SADDLE 1/4 HOLE	
2	500636	KIDS ANGL ADJ F/PLT 10	LEFT	9	106943	WASHER FLAT THIN AN 1/4	
2	500637	KIDS ANGL ADJ F/PLT 11	RIGHT	10	106941	NUT AUTOMATION 1/4-28 ROHS	
2	500638	KIDS ANGL ADJ F/PLT 11	LEFT	1-10	828821	KIDS ANG ADJ F/PLT ASSM 10	RIGHT
2	500639	KIDS ANGL ADJ F/PLT 12	RIGHT	1-10	828822	KIDS ANG ADJ F/PLT ASSM 10	LEFT
2	500640	KIDS ANGL ADJ F/PLT 12	LEFT	1-10	828823	KIDS ANG ADJ F/PLT ASSM 11	RIGHT
2	500641	KIDS ANGL ADJ F/PLT 13	RIGHT	1-10	828824	KIDS ANG ADJ F/PLT ASSM 11	LEFT
2	500642	KIDS ANGL ADJ F/PLT 13	LEFT	1-10	828825	KIDS ANG ADJ F/PLT ASSM 12	RIGHT
2	500643	KIDS ANGL ADJ F/PLT 14	RIGHT	1-10	828826	KIDS ANG ADJ F/PLT ASSM 12	LEFT
2	500644	KIDS ANGL ADJ F/PLT 14	LEFT	1-10	828827	KIDS ANG ADJ F/PLT ASSM 13	RIGHT
2	500645	KIDS ANGL ADJ F/PLT 15	RIGHT	1-10	828828	KIDS ANG ADJ F/PLT ASSM 13	LEFT
2	500646	KIDS ANGL ADJ F/PLT 15	LEFT	1-10	828829	KIDS ANG ADJ F/PLT ASSM 14	RIGHT
2	500647	KIDS ANGL ADJ F/PLT 16	RIGHT	1-10	828830	KIDS ANG ADJ F/PLT ASSM 14	LEFT
2	500648	KIDS ANGL ADJ F/PLT 16	LEFT	1-10	828831	KIDS ANG ADJ F/PLT ASSM 15	RIGHT
3	550350	3/4 CLAMP ADJ FOOTPLATE		1-10	828832	KIDS ANG ADJ F/PLT ASSM 15	LEFT
4	106935	NUT NYLOCK THIN 1/4-28 ROHS		1-10	828833	KIDS ANG ADJ F/PLT ASSM 16	RIGHT
5	226147	1/4-28 X 1.85 BH C/S BLK ZN		1-10	828834	KIDS ANG ADJ F/PLT ASSM 16	LEFT
6	106945	WASHER FLAT SAE 1/4 ROHS		1-10	921226	KIDS ANG ADJ F/PLT ASSM 10	PAIR
7	541000	FTRST MOUNTING BRKT 1 RAD	RIGHT	1-10	921227	KIDS ANG ADJ F/PLT ASSM 11	PAIR

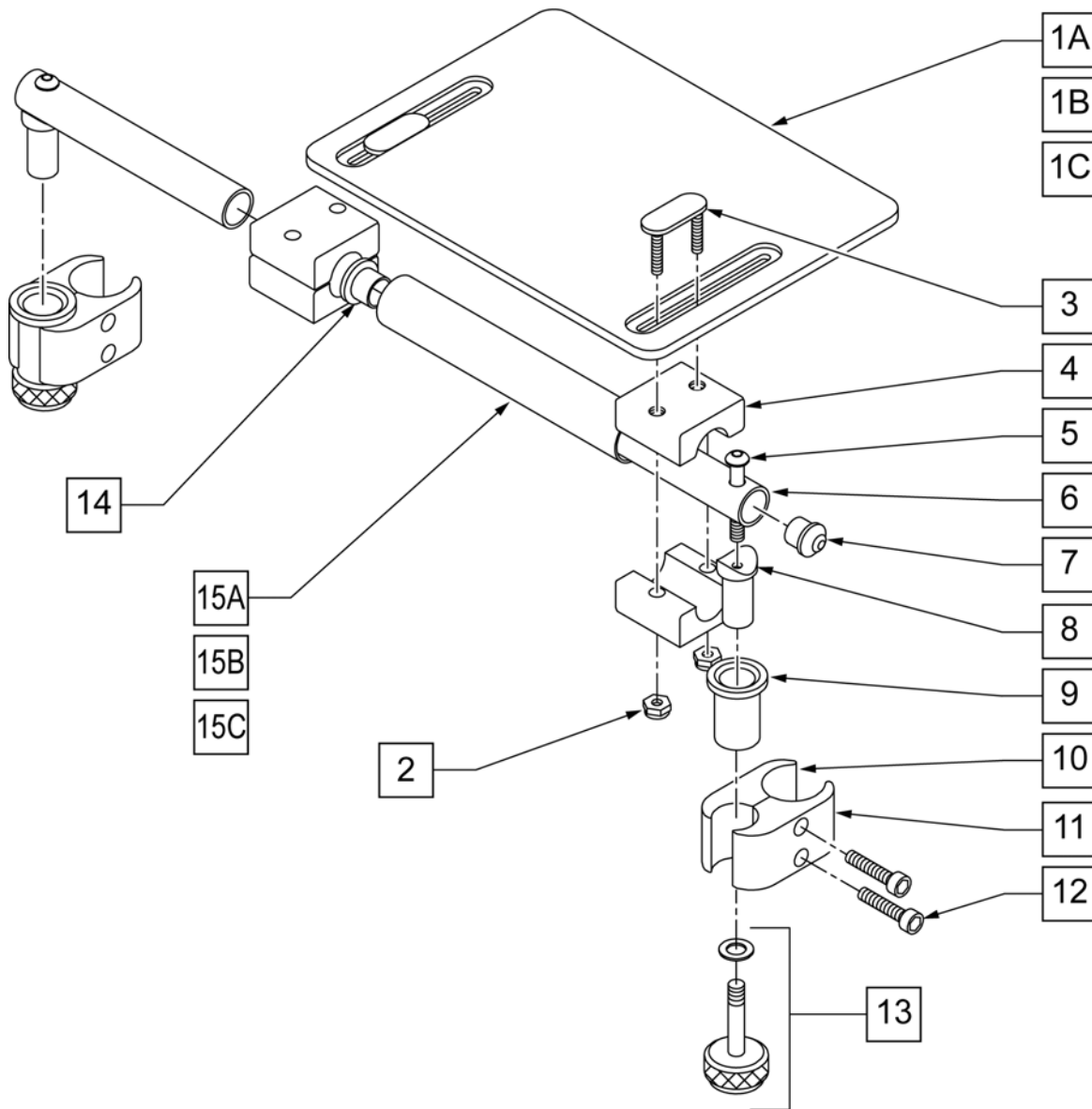
Pos.	Item Number	Description	Remarks	Pos.	Item Number	Description	Remarks
1-10	921228	KIDS ANG ADJ F/PLT ASSM 12	PAIR	1-10	921231	KIDS ANG ADJ F/PLT ASSM 15	PAIR
1-10	921229	KIDS ANG ADJ F/PLT ASSM 13	PAIR	1-10	921232	KIDS ANG ADJ F/PLT ASSM 16	PAIR
1-10	921230	KIDS ANG ADJ F/PLT ASSM 14	PAIR				

ADULT ANGLE-ADJ FOOTPLATE FRONT MOUNT



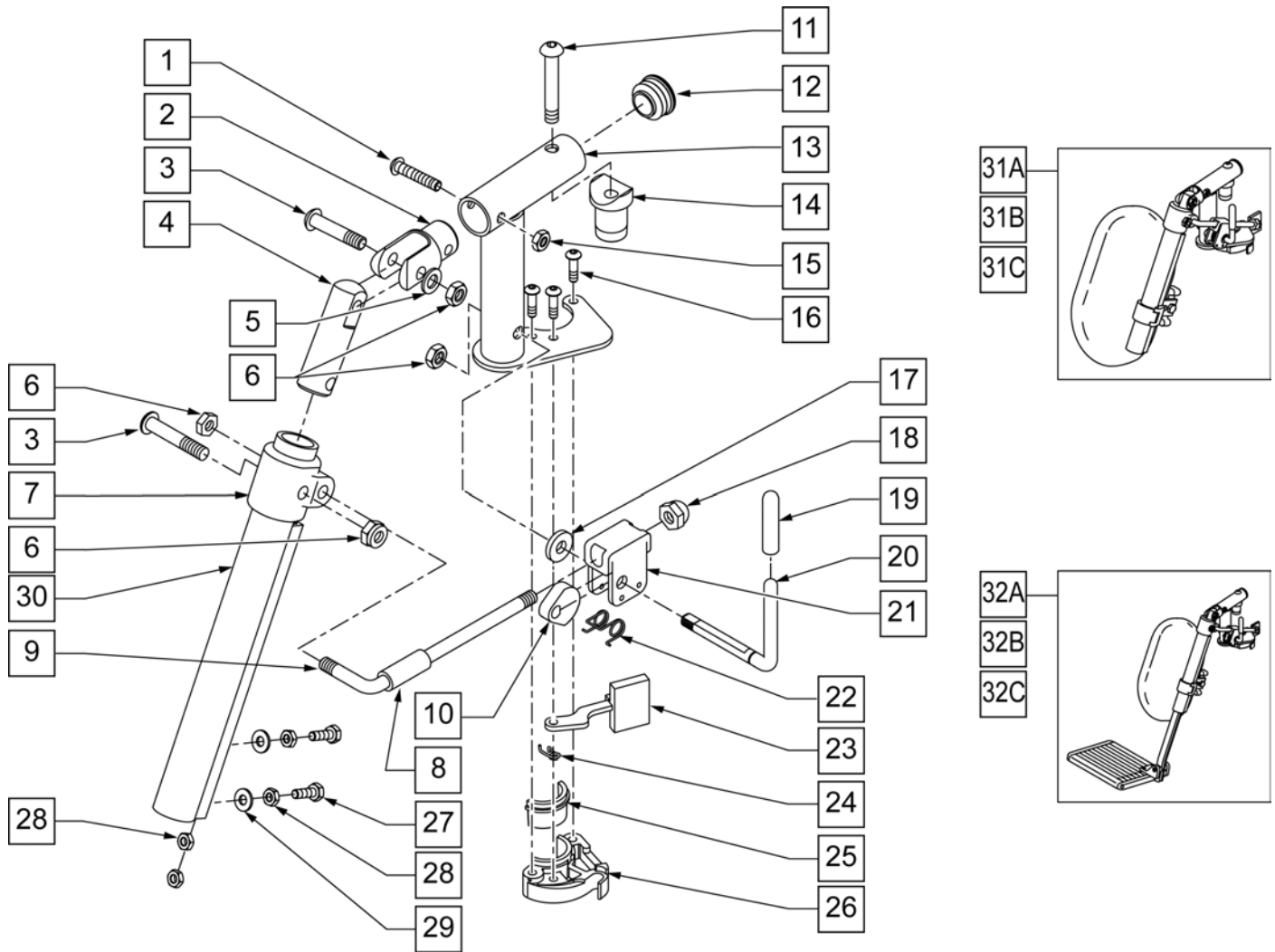
Pos.	Item Number	Description	Remarks
1	106978	FHCS 1/4-28 X 7/8 ROHS	
2	106941	NUT AUTOMATION 1/4-28 ROHS	
3	106943	WASHER FLAT AN 1/4 ROHS	
4	561004	1" SADDLE 1/4" HOLE	
5	541000	FOOTREST MOUNTING BRKT-1" RAD	RIGHT
5	541001	FOOTREST MOUNTING BRKT-1" RAD	LEFT
6	106945	WASHER FLAT SAE 1/4 ROHS	
7	106964	BHCS 1/4-28 X 2	
8	550350	3/4" CLAMP ADJ FOOTPLATE	
9	106935	NUT NYLOCK THIN 1/4-28 ROHS	
10	561040	HEEL LOOP PEG	
11	741153	HEEL LOOP 18-20 CMPST/14-15 ANG ADJ	USED W/ 14-15"/16-17" ADULT ANG ADJ FTPLTS
11	741253	HEEL LOOP ADLT ADJ F/PLT 18-20	USED W/ 18 -20" ADULT ANG ADJ FTPLTS
12	500656	ADULT ANGL ADJ F/PLT 10/11	RIGHT
12	500657	ADULT ANGL ADJ F/PLT 10/11	LEFT
12	500658	ADULT ANGL ADJ F/PLT 12/13	RIGHT
12	500659	ADULT ANGL ADJ F/PLT 12/13	LEFT
12	500660	ADULT ANGL ADJ F/PLT 14/15	RIGHT
12	500661	ADULT ANGL ADJ F/PLT 14/15	LEFT
12	500662	ADULT ANGL ADJ F/PLT 16/17	RIGHT
12	500663	ADULT ANGL ADJ F/PLT 16/17	LEFT
12	500664	ADULT ANGL ADJ F/PLT 18-20	RIGHT
12	500665	ADULT ANGL ADJ F/PLT 18-20	LEFT
13	740260	TOE-ANKLE STRAP ADJ ADULT FOOTPLATE	
14	106943	WASHER FLAT AN 1/4 ROHS	

Pos.	Item Number	Description	Remarks
15	106958	HHCS 1/4-20 X 1 ROHS	
1-9,12	820544	FP ADULT ADJ 90D 10/11 R	RIGHT
1-9,12	820554	FP ADULT ADJ 90D 10/11 L	LEFT
1-9,12	820546	FP ADULT ADJ 90D 12/13 R	RIGHT
1-9,12	820556	FP ADULT ADJ 90D 12/13 L	LEFT
1-9,12	820472	FP ADULT ADJ 90D 14/15 R	RIGHT
1-9,12	820473	FP ADULT ADJ 90D 14/15 L	LEFT
1-9,12	820474	FP ADULT ADJ 90D 16/17 R	RIGHT
1-9,12	820475	FP ADULT ADJ 90D 16/17 L	LEFT
1-9,12	820476	FP ADULT ADJ 90D 18-20 R	RIGHT
1-9,12	820477	FP ADULT ADJ 90D 18-20 L	LEFT
1-9,12	921474	ADULT ANGL ADJ 90D 10/11 OMIT H/L	PAIR
1-9,12	921476	ADULT ANGL ADJ 90D 12/13 OMIT H/L	PAIR
1-9,12	921330	ADULT ANGL ADJ 90D 14/15 OMIT H/L	PAIR
1-9,12	921331	ADULT ANGL ADJ 90D 16/17 OMIT H/L	PAIR
1-9,12	921332	ADULT ANGL ADJ 90D 18-20 OMIT H/L	PAIR
1-12,14,15	820540	F/PLT ADULT ADJ 90D 10/11 R W/ HL	RIGHT
1-12,14,15	820550	F/PLT ADULT ADJ 90D 10/11 L W/ HL	LEFT
1-12,14,15	820542	F/PLT ADULT ADJ 90D 12/13 R W/ HL	RIGHT
1-12,14,15	820552	F/PLT ADULT ADJ 90D 12/13 L W/ HL	LEFT
1-12,14,15	820478	F/PLT ADULT ADJ 90D 14/15 R W/ HL	RIGHT
1-12,14,15	820479	F/PLT ADULT ADJ 90D 14/15 L W/ HL	LEFT
1-12,14,15	820480	F/PLT ADULT ADJ 90D 16/17 R W/ HL	RIGHT
1-12,14,15	820481	F/PLT ADULT ADJ 90D 16/17 L W/ HL	LEFT
1-12,14,15	820482	F/PLT ADULT ADJ 90D 18-20 R W/ HL	RIGHT
1-12,14,15	820483	F/PLT ADULT ADJ 90D 18-20 L W/ HL	LEFT
1-12,14,15	921470	F/PLT ADULT ADJ 90D 10/11 W/ HL	PAIR
1-12,14,15	921472	F/PLT ADULT ADJ 90D 12/13 W/ HL	PAIR
1-12,14,15	921333	F/PLT ADULT ADJ 90D 14/15 W/ HL	PAIR
1-12,14,15	921334	F/PLT ADULT ADJ 90D 16/17 W/ HL	PAIR
1-12,14,15	921335	F/PLT ADULT ADJ 90D 18-20 W/ HL	PAIR



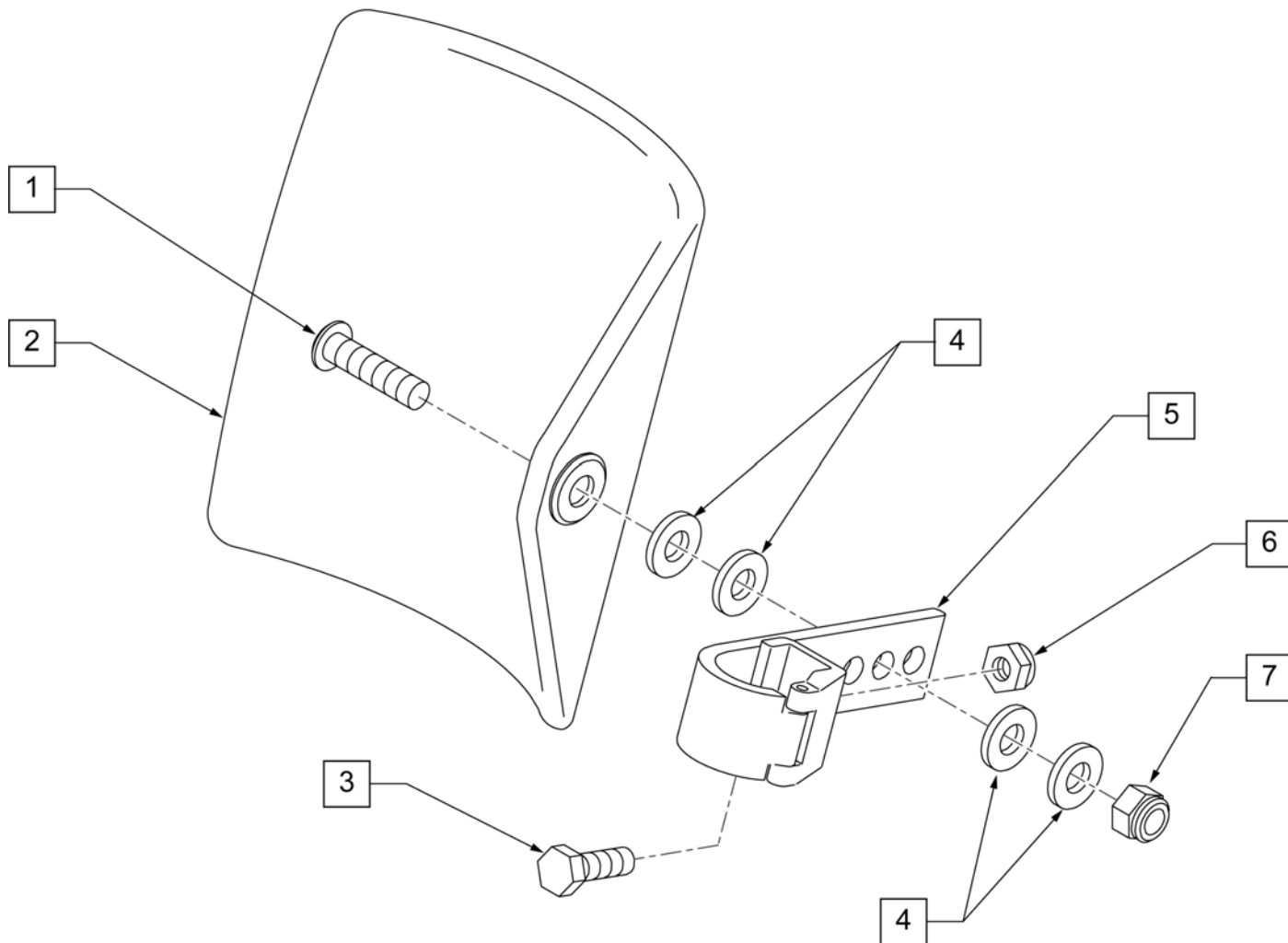
Pos.	Item Number	Description	Remarks
1A	562610	SLD FOOTPLATE ONLY 8" x 8" (10"-12" W)	10 -12" WIDE
1B	562612	SLD FOOTPLATE ONLY 10" x 8" (13"-14" W)	13 -14" WIDE
1C	500709	SLD FT PLT ALUM ONLY 12" x 8" (15"-16" W)	15 -16" WIDE
2	106933	NUT NYLOCK THIN 1/4-20 ROHS	
3	330120	SLD FT/ANGLE ADJ DOUBLE T BOLT	
4	550444	SOLID FOOT/ANG ADJ CLAMP BLK	
5	107028	BHCS 1/4-28 X 1-1/2 ROHS	
7	561034	SHORT DOME PLUG	
8	483236	SOLID FOOT INSERT SADDLE BLK	
10	550658	CLAMP 1 1/4" THREADED BLK	
11	550657	CLAMP 1 1/4" RECESS FULL BLK	
12	107032	SHCS 1/4-28 X 1 ROHS	
9,13	880559	SOLID FOOT LOCK KNOB ASSEMBLY	

Pos.	Item Number	Description	Remarks
14	560402	3/4" ID NY-LINER	
15A	521621	SLD FOOT SUPPORT TUBE BLK 10"-12"	10 -12" WIDE
15B	521622	SLD FOOT SUPPORT TUBE BLK 13"-14"	13 -14" WIDE
15C	521624	SLD FOOT SUPPORT TUBE BLK 15"-16"	15 -16" WIDE
5-8	880183	SLD FT PLT PIVOT TUBE SUB-ASSM	
1A,2-14, 15A	921801	SLD FT PLT ASSEMBLY 8" x 8" (10"-12" W)	10 -12" WIDE
1B,2-14, 15B	921803	SOLID FOOTPLATE ASSEMBLY 10" x 8" (13"-14" W)	13 -14" WIDE
1C,2-14, 15C	921805	SOLID FOOTPLATE ASSEMBLY 12" x 8" (15"-16" W)	15 -16" WIDE

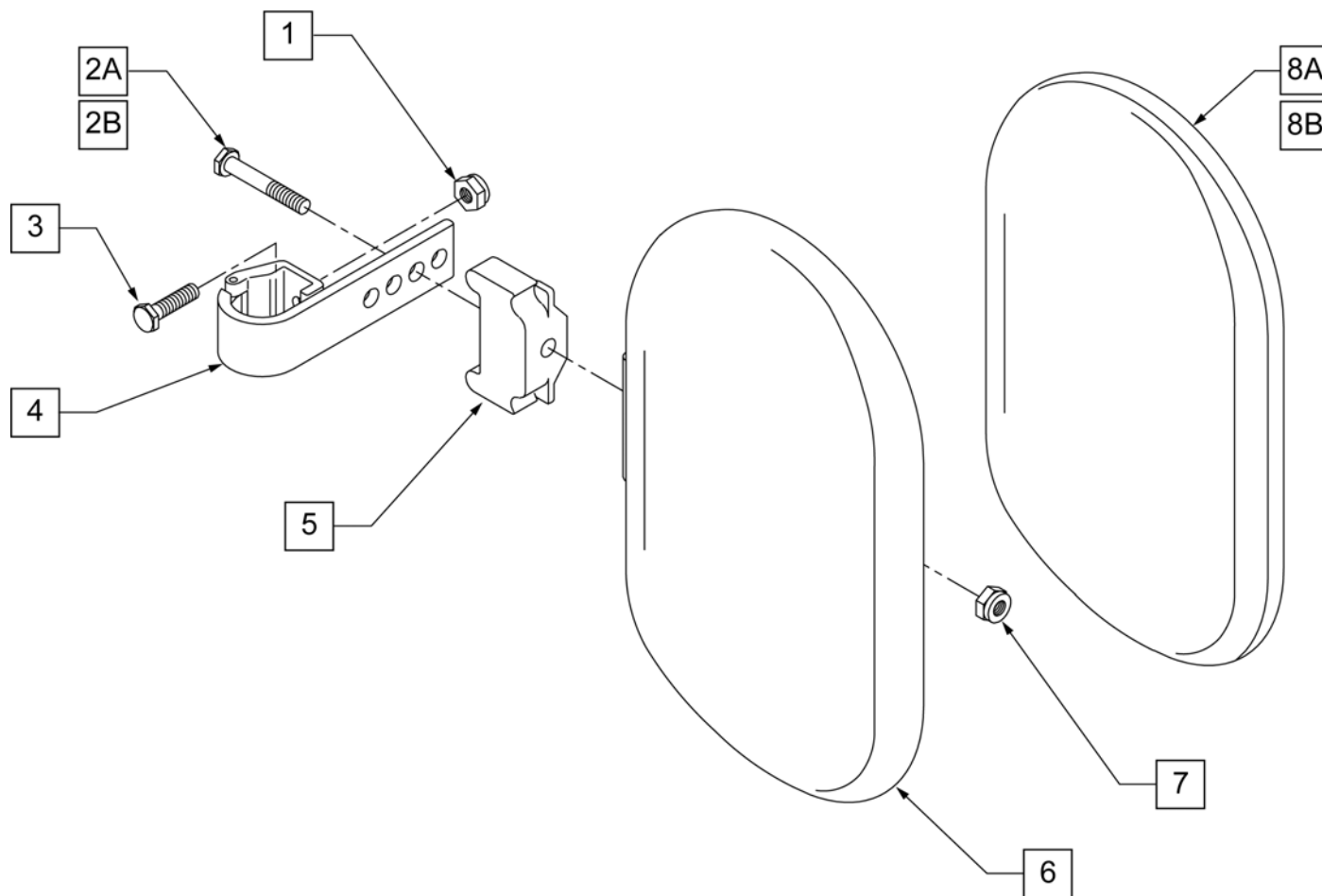


Pos.	Item Number	Description	Remarks
1	106961	1/4-28 X 1 1/4 BH C/S	
2	505281	ELR CLEVIS	
3	107037	BHCS 5/16-24 X 1-1/2 SHLD ROHS	
4	540252	ELR PIVOT PRS	
5	106946	WASHER FLAT AN 5/16 ROHS	
6	106939	NUT NYLOCK THIN 5/16-24 ROHS	
7	560420	ELR UPPER PIVOT PLST	
8	560784	ELR ADJUSTMENT STOP	
9	481117	ELR LOCK ROD	
10	481119	ELR CAM LOCKING POWDERED METAL	
11	106982	BHCS 5/16 -18 x 1 3/4 SHLD ROHS	
12	561062	1" INSERT PLUG .065 RIBS	
14	122729	ELR ALUM PIVOT SADDLE	
15	106935	NUT NYLOCK THIN 1/4-28 ROHS	
16	107035	BHCS 10-24 X .725 PL ROHS	
17	561059	3/4 OD x .318 ID WASHER	
18	202109	5/16-24 ACORN NUT HEX	
19,20	561049	ELR RELEASE ROD COVER	
19,20	882410S	ELR ACTUATION ARM ASSEMBLY	

Pos.	Item Number	Description	Remarks
21	880990	ELR LOCK HOUSING W/PIN	
22	321106	ELR TORSION SPRING	
23	561079	S/A LATCH LEVER	
24	321136	S/A SPRING L RED	LEFT
24	321137	S/A SPRING R CLEAR	RIGHT
27	107014	1/4-28 x 3/4 HEX C/S	
28	107249	NUT HEX THIN 1/4-28 ROHS	
29	106944	WASHER FLAT THIN AN 1/4 ROHS	
30	550722S	ELR ADJUSTMENT TUBE	
6,8-10,17-22	881077S	ELR LOCK ROD/ARM ASSEMBLY	
25,26	881500	LATCH BLOCK ASSM	RIGHT
25,26	881501	LATCH BLOCK ASSM	LEFT
1-6,11-16,20-24	882413	ELR PIVOT BLOCK ASSM	RIGHT
1-6,11-16,20-24	882414	ELR PIVOT BLOCK ASSM	LEFT
1-26	881422	ELR PIVOT ASSM RIGHT	RIGHT
1-26	881423	ELR PIVOT ASSM LEFT	LEFT
1-30	641452S	ELR HNGR W/O PAD PNTD MNL	RIGHT
1-30	641453S	ELR HNGR W/O PAD PNTD MNL	LEFT
31A	923082S	ELR HNGR ASSM 14-15 W /PAD (PR)	PAIR
31B	923041S	ELR HNGR ASSM W/PAD 16-17"	PAIR
31C	923061S	ELR HNGR ASSM W/PAD 18-20"	PAIR
32A	923088S	ELR HNGR REG EXT 14 15" F/PLT	Pair-includes short extensions, 11.5" - 15.5"
32B	923084S	ELR HNGR REG EXT 16 17" F/PLT	Pair-includes short extensions, 11.5" - 15.5"
32C	923085S	ELR HNGR REG EXT 18-20" F/PLT	Pair-includes short extensions, 11.5" - 15.5"
16,23-26	881521	S/A LATCH KIT CASTING RIGHT	RIGHT
16,23-26	881522	S/A LATCH KIT CASTING LEFT	LEFT



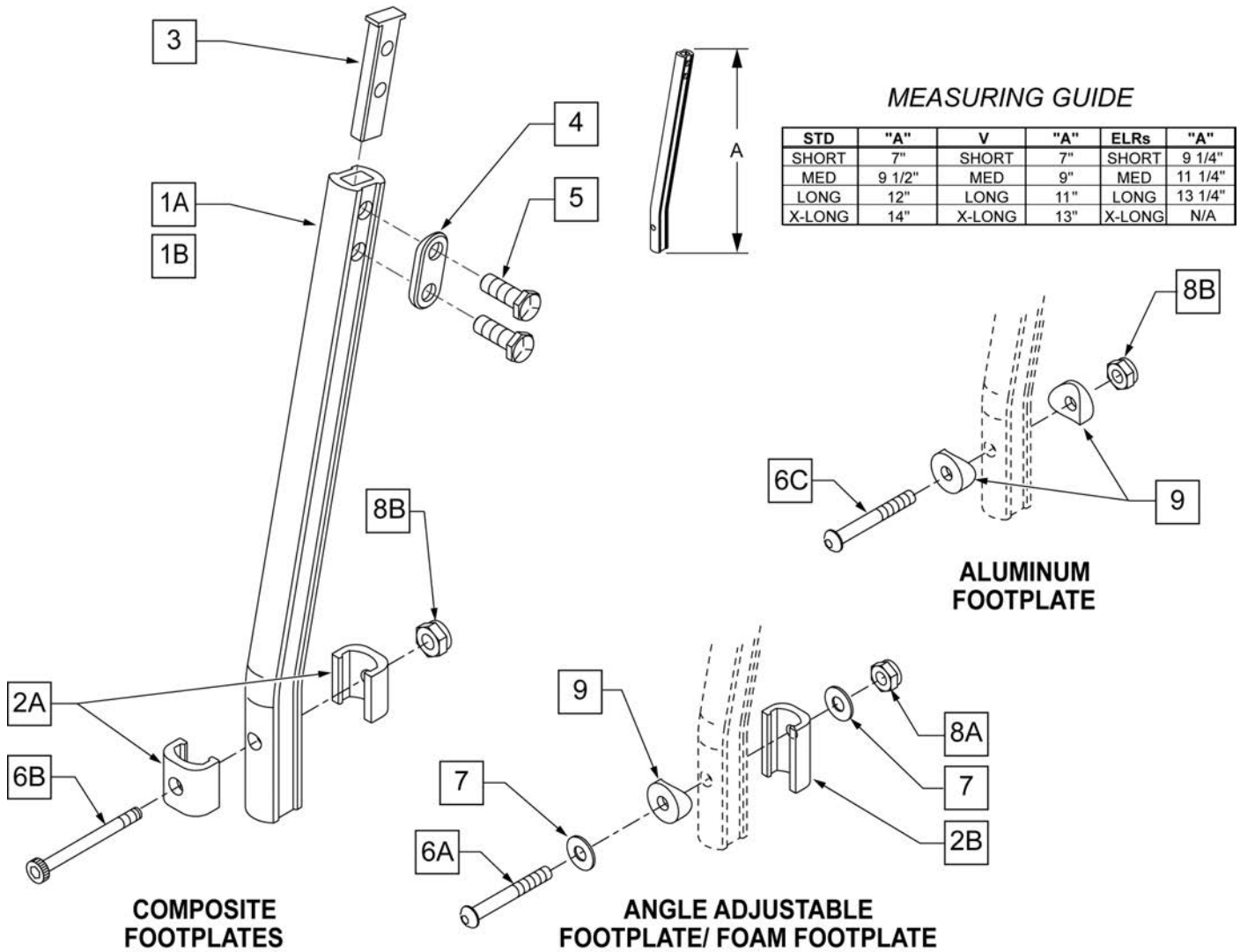
Pos.	Item Number	Description
1	106980	BHCS 5/16-18 X 1-1/4 ROHS
2	755014	CALF PAD TROUGH STYLE 14"/16"
3	107013	HHCS 1/4-28 X 5/8 ROHS
4	561016	1" WASHER 5/16" HOLE
5	881413	CALF PAD BRACKET ASSEMBLY
6	106934	NUT NYLOCK 1/4-28 ROHS
7	202117	5/16-18 NYLOCK NUT THICK BLK
1-7	881414	CALF PAD J-HOOK 14"-15" ASSEMBLY



Pos.	Item Number	Description	Remarks
1	106934	NUT NYLOCK 1/4-28 ROHS	
2A	107018	HHCS 5/16-18 X 2-1/2 ROHS	16"-17" wide only
2B	107019	HHCS 5/16-18 X 3-1/2 ROHS	18"-20" wide only
3	107013	HHCS 1/4-28 X 5/8 ROHS	
4	881413	CALF PAD BRACKET ASSEMBLY	
5	560199	ELR CALF HINGE SPACER	18"-20" wide only
6	560108	CALF PAD MOLDED 16"-20"	
7	106936	NUT NYLOCK 5/16-18 ROHS	
8A	751045	CALF PAD COVER	
8B	751046	CALF PAD COVER (BREEZY)	
1,2A,3,4,6,7,8A	881416	CALF MOLDED 16"-17" ASSEMBLY	
1,2B,3-7,8A	881412	CALF PAD MOLDED 18"-20" ASSEMBLY	

NOTE: IF REPLACING AN EXTENSION TUBE ON AN MANUAL ALR PLEASE REFER TO THE ROUND EXT TUBE PARTS MANUAL PAGE.

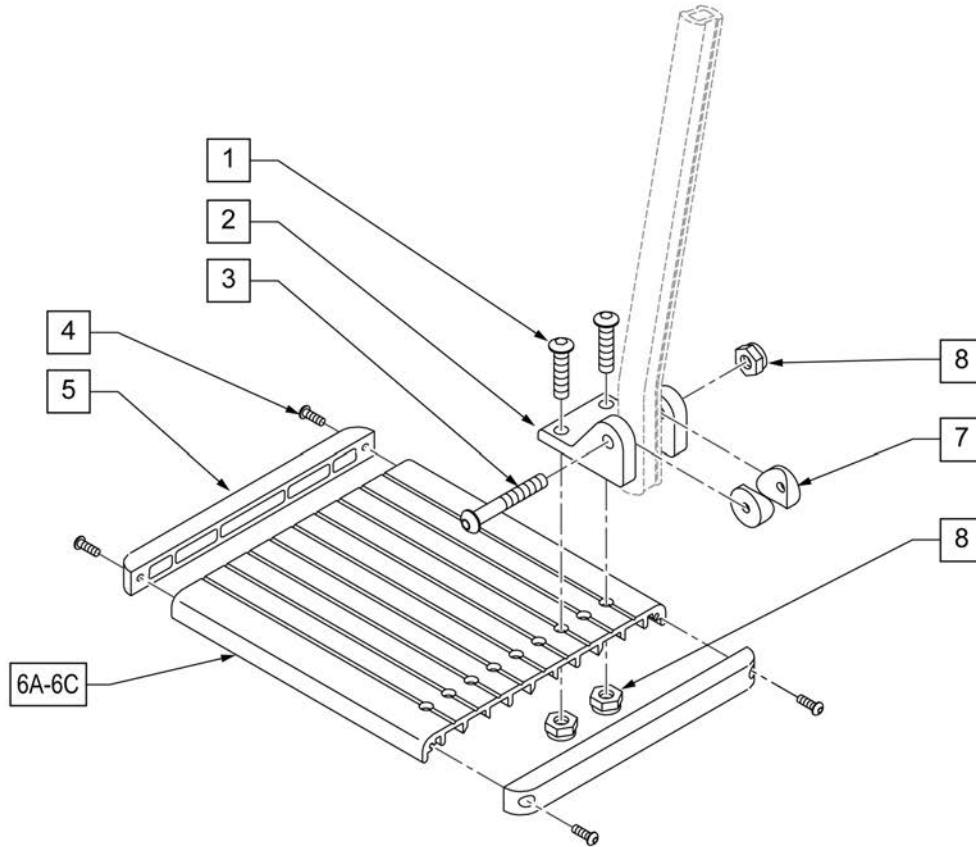
NOTE: WHEN ORDERING REPLACEMENT EXTENSION TUBES PLEASE VERIFY IF YOU HAVE THE OLD STYLE DOUBLE D EXTENSION TUBE OR THE NEW STYLE DOUBLE D EXTENSION TUBE. THIS CAN BE DONE BY REVIEWING THE HANGER THE EXTENSION TUBE IS USED ON. IF THE HANGER UTILIZES A SINGLE SET SCREW AT THE BOTTOM OF THE HANGER TUBE TO ATTACH THE EXTENSION TUBE TO THE HANGER, THEN THIS UTILIZES THE NEW STYLE DOUBLE D EXT TUBE ALL OTHER HANGERS REQUIRING A DOUBLE D EXTENSION TUBE UTILIZE THE OLD STYLE.



Pos.	Item Number	Description	Remarks
1A	550819	EXT TUBE S/A ONLY SHT	Short Ext-Swing Away Hanger
1A	550820	EXT TUBE S/A ONLY MED	Med Ext-Swing Away Hanger
1A	550821	EXT TUBE S/A ONLY LONG	Long Ext-Swing Away Hanger
1A	550822	EXT TUBE S/A ONLY X-LONG	X-Long Ext-Swing Away Hanger
1B	550834	EXT TUBE V IN ONLY D2 SHT R	Right Short Ext-Swing Away Hanger
1B	550835	EXT TUBE V IN ONLY D2 SHT L	Left Short Ext-Swing Away Hanger

Pos.	Item Number	Description	Remarks
1B	550836	EXT TUBE V IN ONLY D2 MED R	Right Med Ext-Swing Away Hanger
1B	550837	EXT TUBE V IN ONLY D2 MED L	Left Med Ext-Swing Away Hanger
1B	550838	EXT TUBE V IN ONLY D2 LONG R	Right Long Ext-Swing Away Hanger
1B	550839	EXT TUBE V IN ONLY D2 LONG L	Left Long Ext-Swing Away Hanger
1B	550840	EXT TUBE V IN ONLY D2 X-LONG R	Right X-Long Ext-Swing Away Hanger
1B	550841	EXT TUBE V IN ONLY D2 X-LONG L	Left X-Long Ext-Swing Away Hanger
2A	483718	HANGER EXTENSION SADDLE	USE W/ COMPOSITE FTPLT
2B	483720	HANGER EXTENSION SADDLE LONG	USE W/ ANGLE ADJ FTPLT
1C	550764	S/A HANGER EXT D2 SHORT BLACK	Short Ext ELR Hangers
1C	550765	S/A HANGER EXT D2 MED BLACK	Medium Ext ELR Hangers
1C	550766	S/A HANGER EXT D2 LONG BLACK	Long Ext ELR Hangers
3	500078	INSERT D2 EXT TUBE	
4	483717	HANGER SADDLE	
5	221102	1/4-28 x 3/4 HEX HEAD C/S BLK W/PTCH	
6A	106962	1/4-28 x 1 3/4 BH C/S BLK ZN	USE W/ ANGLE ADJ FTPLT
6B	226165	1/4 -28 x 2 1/2 SOC C/S	USE W/ COMPOSITE FTPLT
6C	226147	1/4 -28 X 1.85 BH C/S	
7	106945	1/4" SAE WASHER	
8A	106941	1/4 -28 AUTOMATION NUT	USE W/ ANGLE ADJ FTPLT
8B	106935	1/4 -28 NYLOCK NUT THIN	USE W/ COMPOSITE FTPLT
9	561055	3/4 SADDLE 1" OD	USE W/ ANGLE ADJ FTPLT
1A,2A-5	921759	EXT TUBE S/A SHT ASSM PCKT	USE W/ COMPOSITE FTPLT
1A,2A-5	921760	EXT TUBE S/A MED ASSM PCKT	USE W/ COMPOSITE FTPLT
1A,2A-5	921761	EXT TUBE S/A LONG ASSM PCKT	USE W/ COMPOSITE FTPLT
1A,2A-5	921762	EXT TUBE S/A X-LONG ASSM PCKT	USE W/ COMPOSITE FTPLT
1B,2A-5	921751	EXT TUBE "V" D2 SHT R ASSM PCKT	RIGHT - USE W/ COMPOSITE FTPLT V HANGER
1B,2A-5	921752	EXT TUBE "V" D2 SHT L ASSM PCKT	LEFT - USE W/ COMPOSITE FTPLT V HANGER
1B,2A-5	921753	EXT TUBE "V" D2 MED R ASSM PCKT	RIGHT - USE W/ COMPOSITE FTPLT V HANGER
1B,2A-5	921754	EXT TUBE "V" D2 MED L ASSM PCKT	LEFT - USE W/ COMPOSITE FTPLT V HANGER
1B,2A-5	921755	EXT TUBE "V" D2 LONG R ASSM PCKT	RIGHT - USE W/ COMPOSITE FTPLT V HANGER
1B,2A-5	921756	EXT TUBE "V" D2 LONG L ASSM PCKT	LEFT - USE W/ COMPOSITE FTPLT V HANGER
1B,2A-5	921757	EXT TUBE "V" D2 X-LONG R ASSM PCKT	RIGHT - USE W/ COMPOSITE FTPLT V HANGER
1B,2A-5	921758	EXT TUBE "V" D2 X-LONG L ASSM PCKT	LEFT - USE W/ COMPOSITE FTPLT V HANGER
1A,2A-7,9	921772	EXT TUBE S/A SHT ANG ADJ PCKT	USE W/ ANGLE ADJ FTPLT
1A,2A-7,9	921773	EXT TUBE S/A MED ANG ADJ PCKT	USE W/ ANGLE ADJ FTPLT
1A,2A-7,9	921774	EXT TUBE S/A LONG ANG ADJ PCKT	USE W/ ANGLE ADJ FTPLT
1A,2A-7,9	921775	EXT TUBE S/A X-LONG ANG ADJ PCKT	USE W/ ANGLE ADJ FTPLT
1B,2A-7,9	921764	EXT TUBE "V" D2 SHT R ANG ADJ PCKT	RIGHT - USE W/ ANGLE ADJ FTPLT V HANGER
1B,2A-7,9	921765	EXT TUBE "V" D2 SHT L ANG ADJ PCKT	LEFT - USE W/ ANGLE ADJ FTPLT V HANGER
1B,2A-7,9	921766	EXT TUBE "V" D2 MED R ANG ADJ PCKT	RIGHT - USE W/ ANGLE ADJ FTPLT V HANGER
1B,2A-7,9	921767	EXT TUBE "V" D2 MED L ANG ADJ PCKT	LEFT - USE W/ ANGLE ADJ FTPLT V HANGER
1B,2A-7,9	921768	EXT TUBE "V" D2 LONG R ANG ADJ PCKT	RIGHT - USE W/ ANGLE ADJ FTPLT V HANGER
1B,2A-7,9	921769	EXT TUBE "V" D2 LONG L ANG ADJ PCKT	LEFT - USE W/ ANGLE ADJ FTPLT V HANGER
1B,2A-7,9	921770	EXT TUBE "V" D2 X-LONG R ANG AD PCKT	RIGHT - USE W/ ANGLE ADJ FTPLT V HANGER
1B,2A-7,9	921771	EXT TUBE "V" D2 X-LONG L ANG AD PCKT	LEFT - USE W/ ANGLE ADJ FTPLT V HANGER

NOTE: Left Side Shown



Pos.	Item Number	Description	Remarks
1	106959	1/4-28 x 5/8 BH C/S	
2	550739	FOOTPLATE MOUNTING BRACKET	
3	226147	1/4-28 x 1.85 BH C/S	
4	281043	#4 x 5/8 PAN PHIL S/TAP	
5	560101	END CAPS FOOTREST	
7	561003	3/4" SADDLE THIN	
8	106935	1/4-28 NYLOCK NUT THIN	
4,5,6A	882337	ELR FOOTPLATE ASSEMBLY 14 -15"	
4,5,6B	882338	ELR FOOTPLATE ASSEMBLY 16 -17"	
4,5,6C	882339	ELR FOOTPLATE ASSEMBLY 18 -20"	
1-5,6A-8	921400S	ELR FOOTPLATE KIT 14 -15"	Does not include Extension
1-5,6B-8	921401S	ELR FOOTPLATE KIT 16 -17"	Does not include Extension
1-5,6C-8	921402S	ELR FOOTPLATE KIT 18 -20"	Does not include Extension

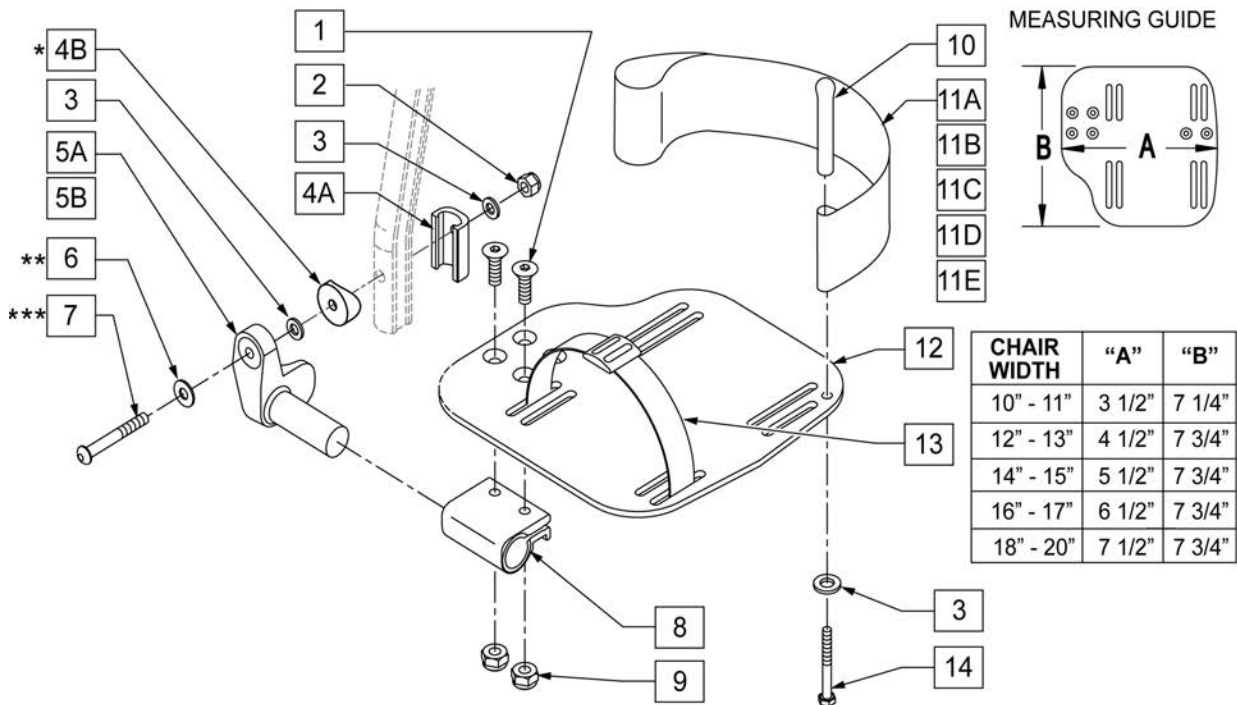
NOTE: FOR HIGH-MOUNT ADULT ANGLE-ADJUSTABLE FOOTPLATE, SEE "HIGH-MOUNT EXTENSION TUBE" PAGE.

NOTE: ORDER ITEM 4B FOR CHAIRS PRIOR TO 8/13/01.

NOTE: ONLY 1 WASHER PRIOR TO 8/13/01.

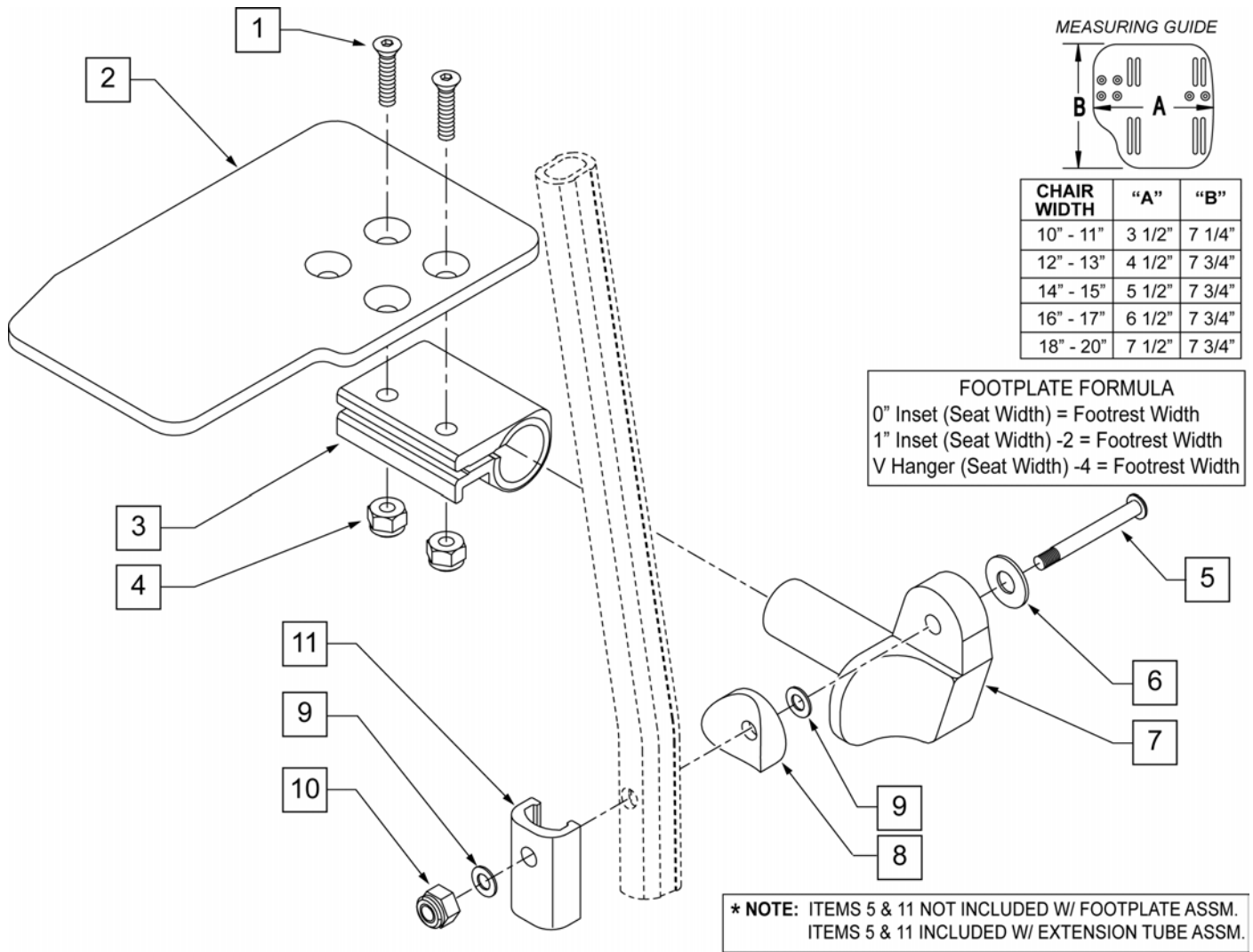
NOTE: ORDER PART 226167 PRIOR TO 8/13/01.

NOTE: See attached REFERENCE GUIDE.



Pos.	Item Number	Description	Remarks
1	106978	1/4-28 x 7/8 FH C/S	
2	106941	1/4-28 AUTOMATION NUT	

Pos.	Item Number	Description	Remarks
3	106943	WASHER FLAT AN 1/4 ROHS	
4A	483720	HANGER EXTENSION SADDLE LONG	USE W/ DOUBLE D EXT TUBE
4B	561055	3/4" SADDLE 1" OD	USE W/ ROUND EXT TUBE
5	541002	FTRST MOUNTING BRKT-3/8 RAD R	RIGHT
5	541003	FTRST MOUNTING BRKT-3/8 RAD L	LEFT
6	106945	WASHER FLAT SAE 1/4 ROHS	
7A	106962	BHCS 1/4-28 X 1-3/4 ROHS	USE W/ DOUBLE D EXT TUBE
7B	226167	1/4-28 x 1.625 BH C/S BLK	USE W/ ROUND EXT TUBE
8	550350	3/4" CLMP ADJ FT PLT	
9	106935	NUT NYLOCK THIN 1/4-28 ROHS	
10	561040	HEEL LOOP PEG	
11A	741154	HEEL LOOP 14-15 CMPST HEMI	USED W/ 10-11" ADULT ANG ADJ FTPLTS
11B	741155	HEEL LOOP 16-17 CMPST HEMI	USED W/ 12 -13" ADULT ANG ADJ FTPLTS
11C	741153	H/L 18-20 CMPST/14-15 ANG ADJ	USED W/ 14-15"/16-17" ADULT ANG ADJ FTPLTS
11D	741253	HEEL LOOP ADLT ADJ F/PLT 18-20	USED W/ 18 -20" ADULT ANG ADJ FTPLTS
12	500656	ADLT ANGL ADJ F/PLT 10/11" R	RIGHT
12	500657	ADLT ANGL ADJ F/PLT 10/11" L	LEFT
12	500658	ADLT ANGL ADJ F/PLT 12/13" R	RIGHT
12	500659	ADLT ANGL ADJ F/PLT 12/13" L	LEFT
12	500660	ADLT ANGL ADJ F/PLT 14/15	RIGHT
12	500661	ADLT ANGL ADJ F/PLT 14/15	LEFT
12	500662	ADLT ANGL ADJ F/PLT 16/17	RIGHT
12	500663	ADLT ANGL ADJ F/PLT 16/17	LEFT
12	500664	ADLT ANGL ADJ F/PLT 18-20	RIGHT
12	500665	ADLT ANGL ADJ F/PLT 18-20	LEFT
13	740260	TOE/ANKLE STRAP ADJ ADLT F/PLT	
14	106958	1/4-20 x 1 HEX C/S	
1-3,5,6,8,9,12	820526	AD ANG ADJ F/PLT R 12"/13" OMIT HL	RIGHT
1-3,5,6,8,9,12	820536	AD ANG ADJ F/PLT L 12"/13" OMT HL	LEFT
1-3,5,6,8,9,12	820460	FP ADLT ADJ 14/15 OMIT HL	RIGHT
1-3,5,6,8,9,12	820462	FP ADLT ADJ 14/15 OMIT HL	LEFT
1-3,5,6,8,9,12	820464	FP ADLT ADJ 16/17 OMIT HL	RIGHT
1-3,5,6,8,9,12	820466	FP ADLT ADJ 16/17 OMIT HL	LEFT
1-3,5,6,8,9,12	820468	FP ADLT ADJ 18-20 OMIT HL	RIGHT
1-3,5,6,8,9,12	820470	FP ADLT ADJ 18-20 OMIT HL	LEFT
1-3,5,6,8,9,12	921466	ADLT ANGL ADJ F/PLT 12"/13" OMIT HL	PAIR
1-3,5,6,8,9,12	921320	FP ADLT ADJ 14/15 OMIT HL	PAIR
1-3,5,6,8,9,12	921322	FP ADLT ADJ 16/17 OMIT HL	PAIR
1-3,5,6,8,9,12	921324	FP ADLT ADJ 18-20 OMIT HL	PAIR
1-3,5,6,8,9,12	820522	AD ANGL ADJ F/PLT R 12/13" H/L	RIGHT
1-3,5,6,8,9,12	820532	AD ANGL ADJ F/PLT L 12/13" H/L	LEFT
1-3,5,6,8-10,11C, 12,14	820461	FP ADLT ADJ 14/15 HL	RIGHT
1-3,5,6,8-10,11C, 12,14	820463	FP ADLT ADJ 14/15 HL	LEFT
1-3,5,6,8-10,11C, 12,14	820465	FP ADLT ADJ 16/17 HL	RIGHT
1-3,5,6,8-10,11C, 12,14	820467	FP ADLT ADJ 16/17 HL	LEFT
1-3,5,6,8-10,11D, 12,14	820469	FP ADLT ADJ 18-20 HL	RIGHT
1-3,5,6,8-10,11D, 12,14	820471	FP ADLT ADJ 18-20 HL	LEFT
1-3,5,6,8-10,11B, 12,14	921462	ADLT ANGL ADJ F/PLATE 12"/13" HL	PAIR
1-3,5,6,8-10,11C, 12,14	921321	FP ADLT ADJ 14/15 HL	PAIR
1-3,5,6,8-10,11C, 12,14	921323	FP ADLT ADJ 16/17 HL	PAIR
1-3,5,6,8-10,11D, 12,14	921325	FP ADLT ADJ 18-20 HL	PAIR
1-3,6,7A,9-10,14	101533	ADLT ANG ADJ FP D2 HDWR KIT	FOR DOUBLE D EXT TUBES
1-3B,4B,6,7B,9,10,14	101534	ADLT ANG ADJ FP RND HDWR KIT	FOR ROUND EXT TUBES (Q2 HP ONLY)



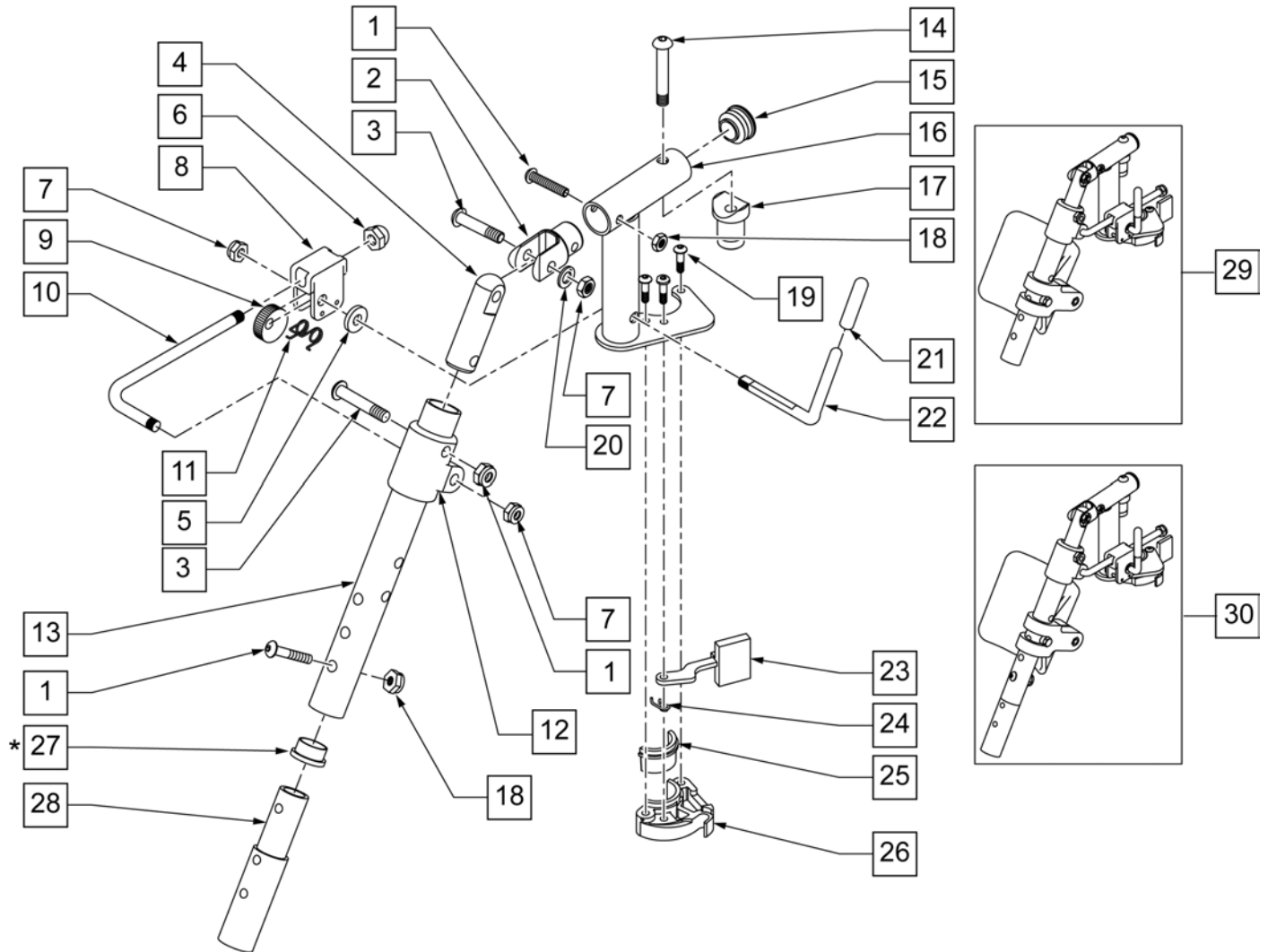
Pos.	Item Number	Description	Remarks
1	106978	FHCS 1/4 -28 x 7/8 ROHS	
2	500635	KIDS ANGL ADJ F/PLT 10" R	Right
2	500636	KIDS ANGL ADJ F/PLT 10" L	Left
2	500637	KIDS ANGL ADJ F/PLT 11" R	Right
2	500638	KIDS ANGL ADJ F/PLT 11" L	Left
2	500639	KIDS ANGL ADJ F/PLT 12" R	Right
2	500640	KIDS ANGL ADJ F/PLT 12" L	Left
2	500641	KIDS ANGL ADJ F/PLT 13" R	Right
2	500642	KIDS ANGL ADJ F/PLT 13" L	Left
2	500643	KIDS ANGL ADJ F/PLT 14" R	Right
2	500644	KIDS ANGL ADJ F/PLT 14" L	Left
2	500645	KIDS ANGL ADJ F/PLT 15" R	Right
2	500646	KIDS ANGL ADJ F/PLT 15" L	Left
2	500647	KIDS ANGL ADJ F/PLT 16" R	Right
2	500648	KIDS ANGL ADJ F/PLT 16" L	Left
3	550350	3/4" CLAMP ADJ FOOTPLATE	
4	106935	NUT NYLOCK THIN 1/4 -28 ROHS	
5	106962	1/4-28 x 1 3/4 BH C/S BLK ZN (D2 EXTENSION TUBES)	

Pos.	Item Number	Description	Remarks
5	226167	1/4-28 x 1.625 BH C/S BLK (ROUND EXTENSION TUBES)	
6	106945	1/4 SAE WASHER	
7	541002	FTRST MOUNTING BRKT-3/8 RAD R	
7	541003	FTRST MOUNTING BRKT-3/8 RAD L	
8	561055	3/4" SADDLE 1" OD	
9	106944	WASHER FLAT THIN AN 1/4 ROHS	
10	106941	NUT AUTOMATION 1/4 -28 ROHS	
1-7,9,10	828850	KIDS ANG ADJ F/PLT EXT-MNT 10"R	Right
1-7,9,10	828851	KIDS ANG ADJ F/PLT EXT-MNT 10"L	Left
1-7,9,10	828852	KIDS ANG ADJ F/PLT EXT-MNT 11"R	Right
1-7,9,10	828853	KIDS ANG ADJ F/PLT EXT-MNT 11"L	Left
1-7,9,10	828854	KIDS ANG ADJ F/PLT EXT-MNT 12"R	Right
1-7,9,10	828855	KIDS ANG ADJ F/PLT EXT-MNT 12"L	Left
1-7,9,10	828856	KIDS ANG ADJ F/PLT EXT-MNT 13"R	Right
1-7,9,10	828857	KIDS ANG ADJ F/PLT EXT-MNT 13"L	Left
1-7,9,10	828858	KIDS ANG ADJ F/PLT EXT-MNT 14"R	Right
1-7,9,10	828859	KIDS ANG ADJ F/PLT EXT-MNT 14"L	Left
1-7,9,10	828860	KIDS ANG ADJ F/PLT EXT-MNT 15"R	Right
1-7,9,10	828861	KIDS ANG ADJ F/PLT EXT-MNT 15"L	Left
1-7,9,10	828862	KIDS ANG ADJ F/PLT EXT-MNT 16"R	Right
1-7,9,10	828863	KIDS ANG ADJ F/PLT EXT-MNT 16"L	Left
1-7,9,10	921280	KIDS ANG ADJ F/PLT EXT-MNT 10"	Pair
1-7,9,10	921281	KIDS ANG ADJ F/PLT EXT-MNT 11"	Pair
1-7,9,10	921282	KIDS ANG ADJ F/PLT EXT-MNT 12"	Pair
1-7,9,10	921283	KIDS ANG ADJ F/PLT EXT-MNT 13"	Pair
1-7,9,10	921284	KIDS ANG ADJ F/PLT EXT-MNT 14"	Pair
1-7,9,10	921285	KIDS ANG ADJ F/PLT EXT-MNT 15"	Pair
1-7,9,10	921286	KIDS ANG ADJ F/PLT EXT-MNT 16"	Pair

90 DEG ELEVATING HANGER

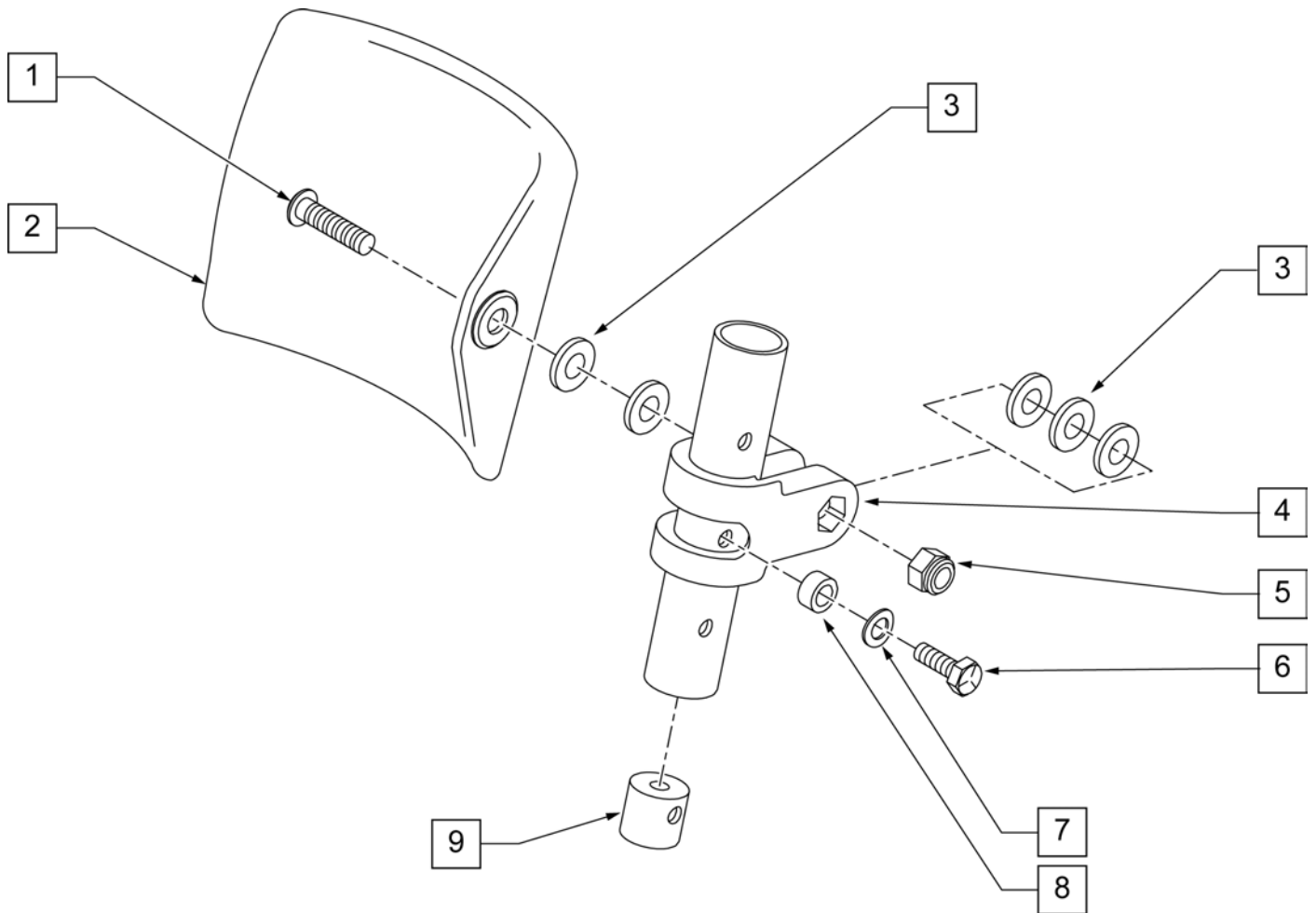
[11/2009]

NOTE: Order Item 27 (561002) when NOT using Footrest Extension.

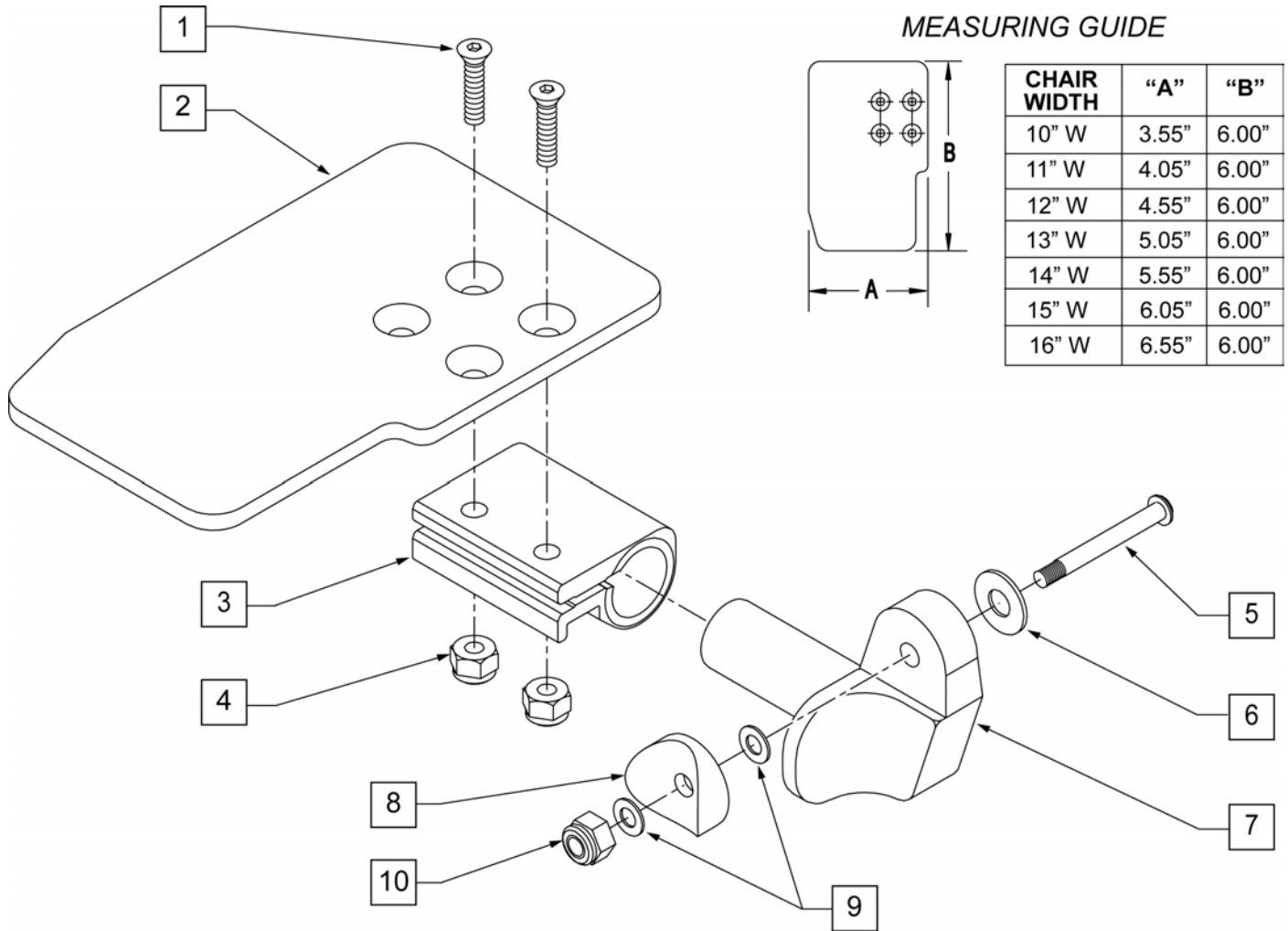


Pos.	Item Number	Description	Remarks
1	107027	BHCS 1/4-28 X 1-1/4 SHLDR ROHS	
2	505281	ELR CLEVIS	
3	107037	BHCS 5/16-24 X 1-1/2 SHLD ROHS	
4	540252	ELR PIVOT PRS	
5	561059	3/4 OD x .318 ID WASHER	
6	202109	5/16-24 ACORN NUT HEX	
7	106939	NUT NYLOCK THIN 5/16-24 ROHS	
8	880990	ELR LOCK HOUSING W/PIN	
9	481119	ELR CAM LOCKING POWDERED METAL	
10	481505	ELR LOCK ROD 90D	
11	321106	ELR TORSION SPRING	
12	560430	ELR ROD UPPER PIVOT	
13	505097S	ELR KIDS TUBE	SPECIFY COLOR
14	106983	BHCS 5/16-18 X 2 SHLDR ROHS	

Pos.	Item Number	Description	Remarks
15	561062	1" INSERT PLUG .065 RIBS	
17	561197	PLASTIC PIVOT SADDLE	
18	106935	NUT NYLOCK THIN 1/4-28 ROHS	
19	107035	BHCS 10-24 X .725 PL ROHS	
20	263100	5/16 AN WASHER FLAT	
21	561049	ELR RELEASE ROD COVER	
23	561079	S/A LATCH LEVER	
24	321136	S/A SPRING L RED	
24	321137	S/A SPRING R CLEAR	
27	561002	1" INSERT PLUG .083	
29	923067S	ELR HNGR ASSM 90D W/PAD	PAIR
30	923068S	ELR HNGR ASSM 90D W/PAD 2" EXT	PAIR
1,18,28	111505	2" FTREST EXT W/ HDWR	
25,26	881500	LATCH BLOCK ASSM R	RIGHT
25,26	881501	LATCH BLOCK ASSM L	LEFT
21,22	882411	ELR 90D ACTUATION ARM ASSM	
1-4,7,14-20,23-28	882413	ELR PIVOT BLOCK ASSM R	RIGHT
1-4,7,14-20,23-28	882414	ELR PIVOT BLOCK ASSM L	LEFT
1-26	641458S	ELR HNGR 90D W/O PAD PNTD R	RIGHT
1-26	641459S	ELR HNGR 90D W/O PAD PNTD L	LEFT
1-26,28	641468S	HANGER ELR 90 W/O PAD R 2" EXT	RIGHT
1-26,28	641469S	HANGER ELR 90 W/O PAD L 2" EXT	LEFT
19,23-26	881521	S/A LATCH KIT CASTING RIGHT	RIGHT
19,23-26	881522	S/A LATCH KIT CASTING LEFT	LEFT



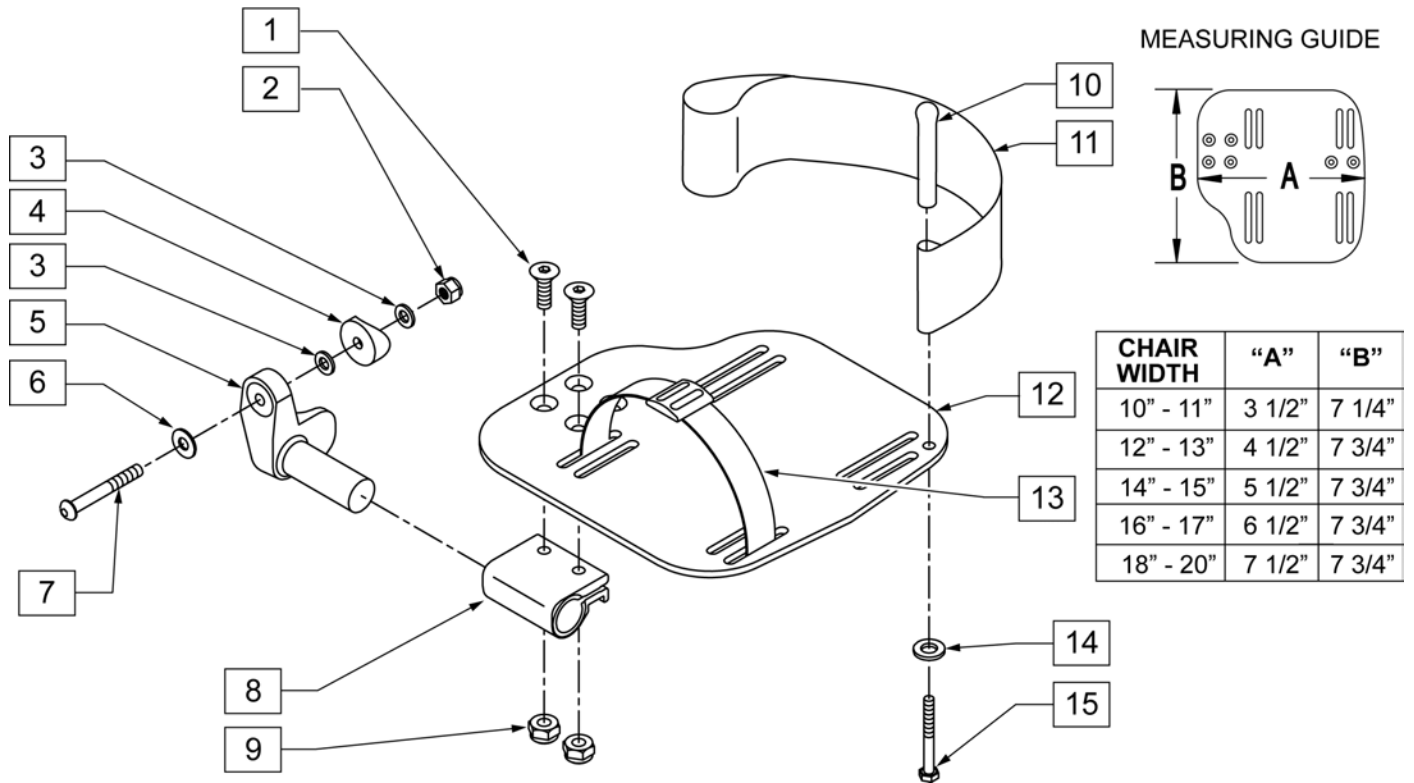
Pos.	Item Number	Description
1	226196	5/16-18 x 2 BH C/S ZN
2	755013	CALF PAD THROUGH STYLE KIDS
3	561016	1" WASHER 5/16" HOLE
4	561097	ELR ELEVATING TUBE CLAMP
5	106937	5/16 -18 NYLOCK NUT THIN
6	107017	1/4-20 x 1 1/4 G8 HEX C/S
7	262130	6mm WASHER WAVE
8	483027	1/4 x 1/4 ALUMINUM SPACER
9	500151	KIDS ALR RETAINING PLUG
1-9	880533	ELR TROUGH PAD ASSM KIDS



Pos.	Item Number	Description	Remarks	Pos.	Item Number	Description	Remarks
1	106978	FHCS 1/4-28 X 7/8 ROHS		7	541001	FTRST MOUNTING BRKT 1 RAD	LEFT
2	500635	KIDS ANGL ADJ F/PLT 10	RIGHT	8	561004	1 SADDLE 1/4 HOLE	
2	500636	KIDS ANGL ADJ F/PLT 10	LEFT	9	106943	WASHER FLAT THIN AN 1/4	
2	500637	KIDS ANGL ADJ F/PLT 11	RIGHT	10	106941	NUT AUTOMATION 1/4-28 ROHS	
2	500638	KIDS ANGL ADJ F/PLT 11	LEFT	1-10	828821	KIDS ANG ADJ F/PLT ASSM 10	RIGHT
2	500639	KIDS ANGL ADJ F/PLT 12	RIGHT	1-10	828822	KIDS ANG ADJ F/PLT ASSM 10	LEFT
2	500640	KIDS ANGL ADJ F/PLT 12	LEFT	1-10	828823	KIDS ANG ADJ F/PLT ASSM 11	RIGHT
2	500641	KIDS ANGL ADJ F/PLT 13	RIGHT	1-10	828824	KIDS ANG ADJ F/PLT ASSM 11	LEFT
2	500642	KIDS ANGL ADJ F/PLT 13	LEFT	1-10	828825	KIDS ANG ADJ F/PLT ASSM 12	RIGHT
2	500643	KIDS ANGL ADJ F/PLT 14	RIGHT	1-10	828826	KIDS ANG ADJ F/PLT ASSM 12	LEFT
2	500644	KIDS ANGL ADJ F/PLT 14	LEFT	1-10	828827	KIDS ANG ADJ F/PLT ASSM 13	RIGHT
2	500645	KIDS ANGL ADJ F/PLT 15	RIGHT	1-10	828828	KIDS ANG ADJ F/PLT ASSM 13	LEFT
2	500646	KIDS ANGL ADJ F/PLT 15	LEFT	1-10	828829	KIDS ANG ADJ F/PLT ASSM 14	RIGHT
2	500647	KIDS ANGL ADJ F/PLT 16	RIGHT	1-10	828830	KIDS ANG ADJ F/PLT ASSM 14	LEFT
2	500648	KIDS ANGL ADJ F/PLT 16	LEFT	1-10	828831	KIDS ANG ADJ F/PLT ASSM 15	RIGHT
3	550350	3/4 CLAMP ADJ FOOTPLATE		1-10	828832	KIDS ANG ADJ F/PLT ASSM 15	LEFT
4	106935	NUT NYLOCK THIN 1/4-28 ROHS		1-10	828833	KIDS ANG ADJ F/PLT ASSM 16	RIGHT
5	226147	1/4-28 X 1.85 BH C/S BLK ZN		1-10	828834	KIDS ANG ADJ F/PLT ASSM 16	LEFT
6	106945	WASHER FLAT SAE 1/4 ROHS		1-10	921226	KIDS ANG ADJ F/PLT ASSM 10	PAIR
7	541000	FTRST MOUNTING BRKT 1 RAD	RIGHT	1-10	921227	KIDS ANG ADJ F/PLT ASSM 11	PAIR

Pos.	Item Number	Description	Remarks	Pos.	Item Number	Description	Remarks
1-10	921228	KIDS ANG ADJ F/PLT ASSM 12	PAIR	1-10	921231	KIDS ANG ADJ F/PLT ASSM 15	PAIR
1-10	921229	KIDS ANG ADJ F/PLT ASSM 13	PAIR	1-10	921232	KIDS ANG ADJ F/PLT ASSM 16	PAIR
1-10	921230	KIDS ANG ADJ F/PLT ASSM 14	PAIR				

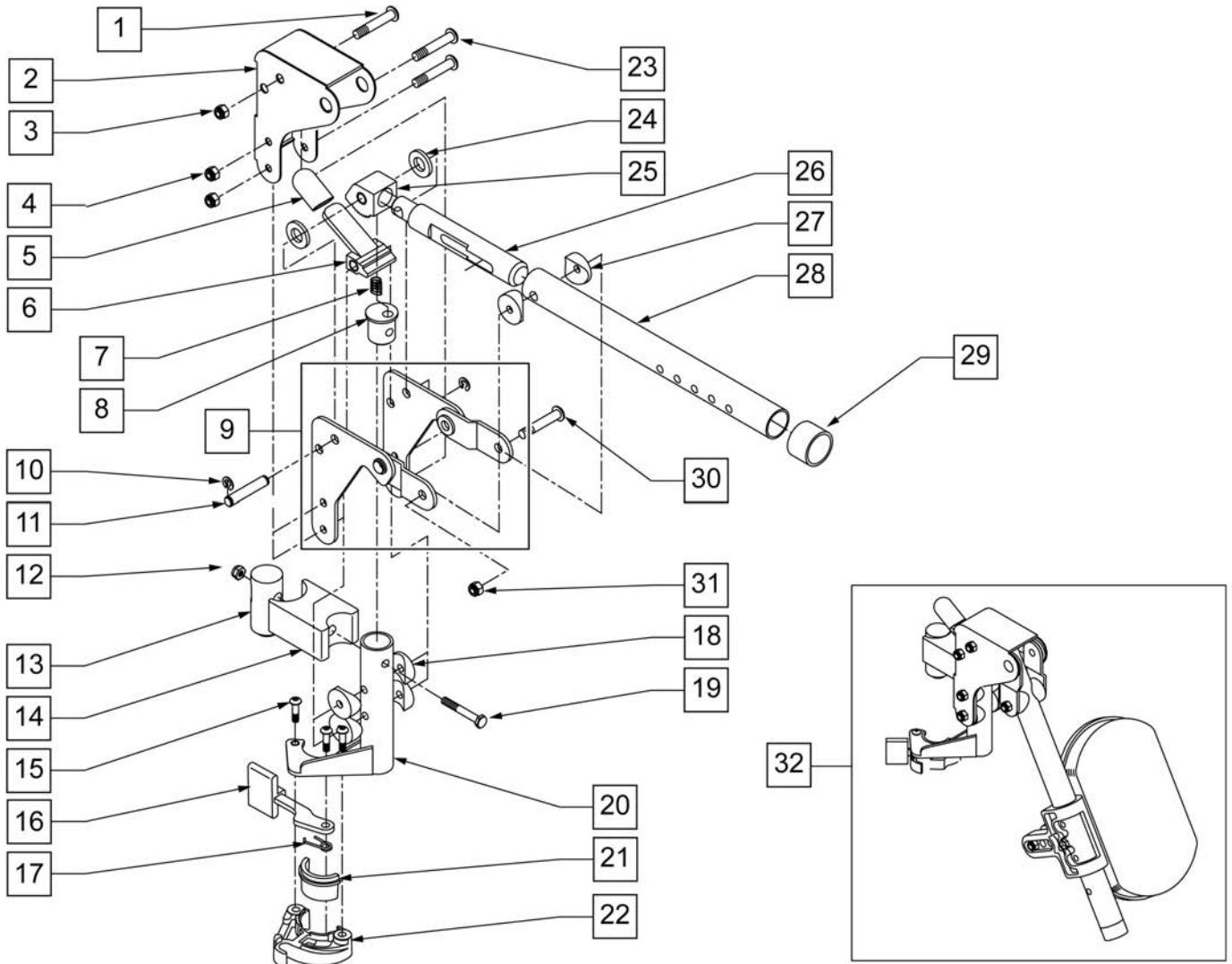
ADULT ANGLE-ADJ FOOTPLATE FRONT MOUNT



Pos.	Item Number	Description	Remarks
1	106978	FHCS 1/4-28 X 7/8 ROHS	
2	106941	NUT AUTOMATION 1/4-28 ROHS	
3	106943	WASHER FLAT AN 1/4 ROHS	
4	561004	1" SADDLE 1/4" HOLE	
5	541000	FOOTREST MOUNTING BRKT-1" RAD	RIGHT
5	541001	FOOTREST MOUNTING BRKT-1" RAD	LEFT
6	106945	WASHER FLAT SAE 1/4 ROHS	
7	106964	BHCS 1/4-28 X 2	
8	550350	3/4" CLAMP ADJ FOOTPLATE	
9	106935	NUT NYLOCK THIN 1/4-28 ROHS	
10	561040	HEEL LOOP PEG	
11	741153	HEEL LOOP 18-20 CMPST/14-15 ANG ADJ	USED W/ 14-15"/16-17" ADULT ANG ADJ FTPLTS
11	741253	HEEL LOOP ADLT ADJ F/PLT 18-20	USED W/ 18 -20" ADULT ANG ADJ FTPLTS
12	500656	ADULT ANGL ADJ F/PLT 10/11	RIGHT
12	500657	ADULT ANGL ADJ F/PLT 10/11	LEFT
12	500658	ADULT ANGL ADJ F/PLT 12/13	RIGHT
12	500659	ADULT ANGL ADJ F/PLT 12/13	LEFT
12	500660	ADULT ANGL ADJ F/PLT 14/15	RIGHT
12	500661	ADULT ANGL ADJ F/PLT 14/15	LEFT
12	500662	ADULT ANGL ADJ F/PLT 16/17	RIGHT
12	500663	ADULT ANGL ADJ F/PLT 16/17	LEFT
12	500664	ADULT ANGL ADJ F/PLT 18-20	RIGHT
12	500665	ADULT ANGL ADJ F/PLT 18-20	LEFT
13	740260	TOE-ANKLE STRAP ADJ ADULT FOOTPLATE	
14	106943	WASHER FLAT AN 1/4 ROHS	

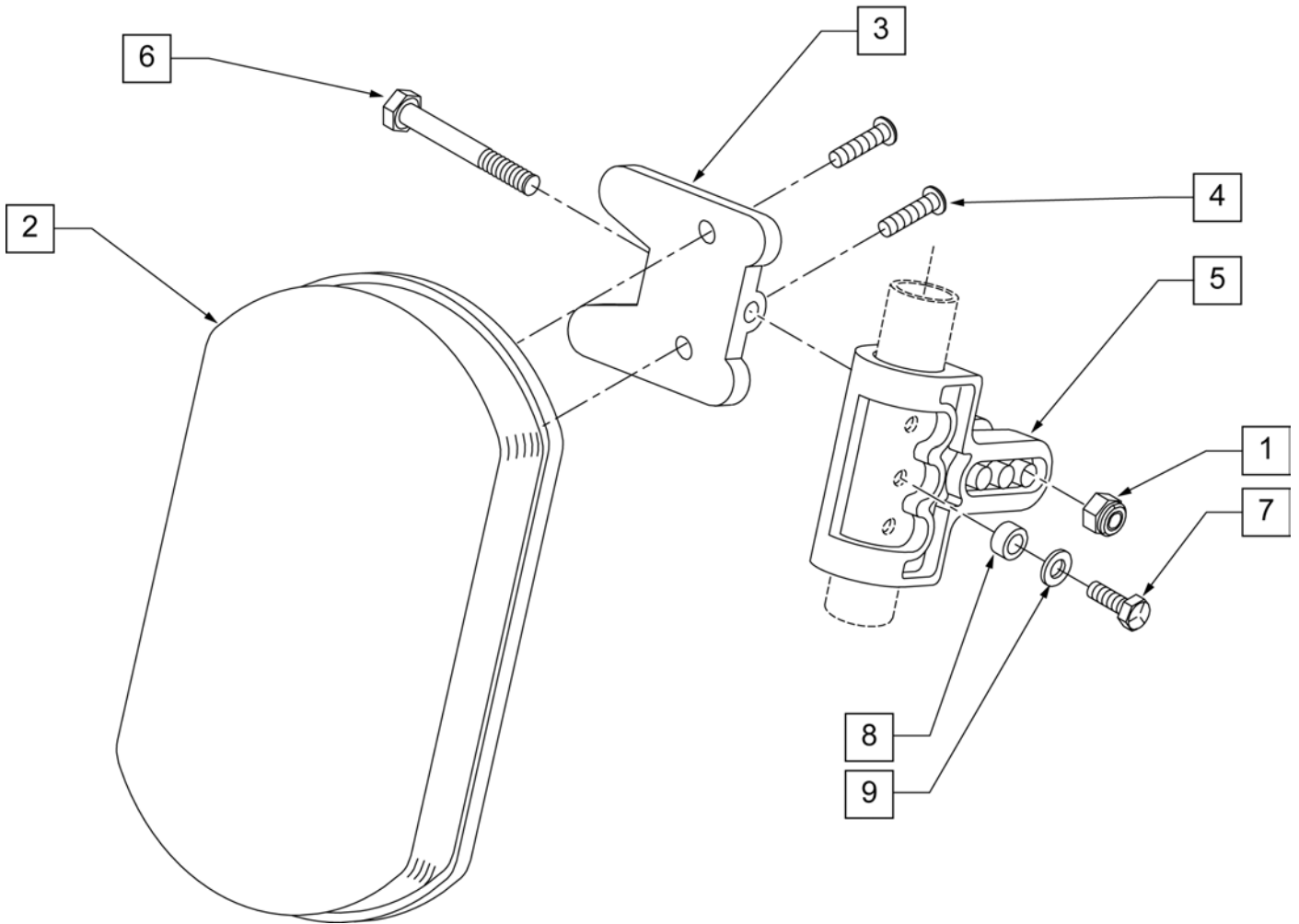
Pos.	Item Number	Description	Remarks
15	106958	HHCS 1/4-20 X 1 ROHS	
1-9,12	820544	FP ADULT ADJ 90D 10/11 R	RIGHT
1-9,12	820554	FP ADULT ADJ 90D 10/11 L	LEFT
1-9,12	820546	FP ADULT ADJ 90D 12/13 R	RIGHT
1-9,12	820556	FP ADULT ADJ 90D 12/13 L	LEFT
1-9,12	820472	FP ADULT ADJ 90D 14/15 R	RIGHT
1-9,12	820473	FP ADULT ADJ 90D 14/15 L	LEFT
1-9,12	820474	FP ADULT ADJ 90D 16/17 R	RIGHT
1-9,12	820475	FP ADULT ADJ 90D 16/17 L	LEFT
1-9,12	820476	FP ADULT ADJ 90D 18-20 R	RIGHT
1-9,12	820477	FP ADULT ADJ 90D 18-20 L	LEFT
1-9,12	921474	ADULT ANGL ADJ 90D 10/11 OMIT H/L	PAIR
1-9,12	921476	ADULT ANGL ADJ 90D 12/13 OMIT H/L	PAIR
1-9,12	921330	ADULT ANGL ADJ 90D 14/15 OMIT H/L	PAIR
1-9,12	921331	ADULT ANGL ADJ 90D 16/17 OMIT H/L	PAIR
1-9,12	921332	ADULT ANGL ADJ 90D 18-20 OMIT H/L	PAIR
1-12,14,15	820540	F/PLT ADULT ADJ 90D 10/11 R W/ HL	RIGHT
1-12,14,15	820550	F/PLT ADULT ADJ 90D 10/11 L W/ HL	LEFT
1-12,14,15	820542	F/PLT ADULT ADJ 90D 12/13 R W/ HL	RIGHT
1-12,14,15	820552	F/PLT ADULT ADJ 90D 12/13 L W/ HL	LEFT
1-12,14,15	820478	F/PLT ADULT ADJ 90D 14/15 R W/ HL	RIGHT
1-12,14,15	820479	F/PLT ADULT ADJ 90D 14/15 L W/ HL	LEFT
1-12,14,15	820480	F/PLT ADULT ADJ 90D 16/17 R W/ HL	RIGHT
1-12,14,15	820481	F/PLT ADULT ADJ 90D 16/17 L W/ HL	LEFT
1-12,14,15	820482	F/PLT ADULT ADJ 90D 18-20 R W/ HL	RIGHT
1-12,14,15	820483	F/PLT ADULT ADJ 90D 18-20 L W/ HL	LEFT
1-12,14,15	921470	F/PLT ADULT ADJ 90D 10/11 W/ HL	PAIR
1-12,14,15	921472	F/PLT ADULT ADJ 90D 12/13 W/ HL	PAIR
1-12,14,15	921333	F/PLT ADULT ADJ 90D 14/15 W/ HL	PAIR
1-12,14,15	921334	F/PLT ADULT ADJ 90D 16/17 W/ HL	PAIR
1-12,14,15	921335	F/PLT ADULT ADJ 90D 18-20 W/ HL	PAIR

NOTE: WHEN USING AN ARTICULATING LEGREST ASSEMBLY, THE PULL-TO-LOCK WHEEL LOCK MUST BE USED.



Pos.	Item Number	Description	Remarks
1	106983	5/16-18 x 2 BH C/S SHT THREAD	
2	562720	ALR COVER STD	
3	106937	5/16-18 NYLOCK NUT THIN	
4	106935	1/4-28 NYLOCK NUT THIN	
5	560501	ALR RELEASE LEVER COVER	
6	505902	ALR RELEASE LEVER	
7	321141	650L x 6 COIL SPRING	
8	483060	ALR SPRING PLUG	
9	880526	ALR BRACKET W/LINK R	RIGHT
9	880527	ALR BRACKET W/LINK L	LEFT
10	342000	1/4" E-CLIP	
11	481052	ALR RETAINING STUD	
12	106934	1/4-28 NYLOCK NUT	
13	122991	ALR PIVOT SADDLE WITH LEDGE	

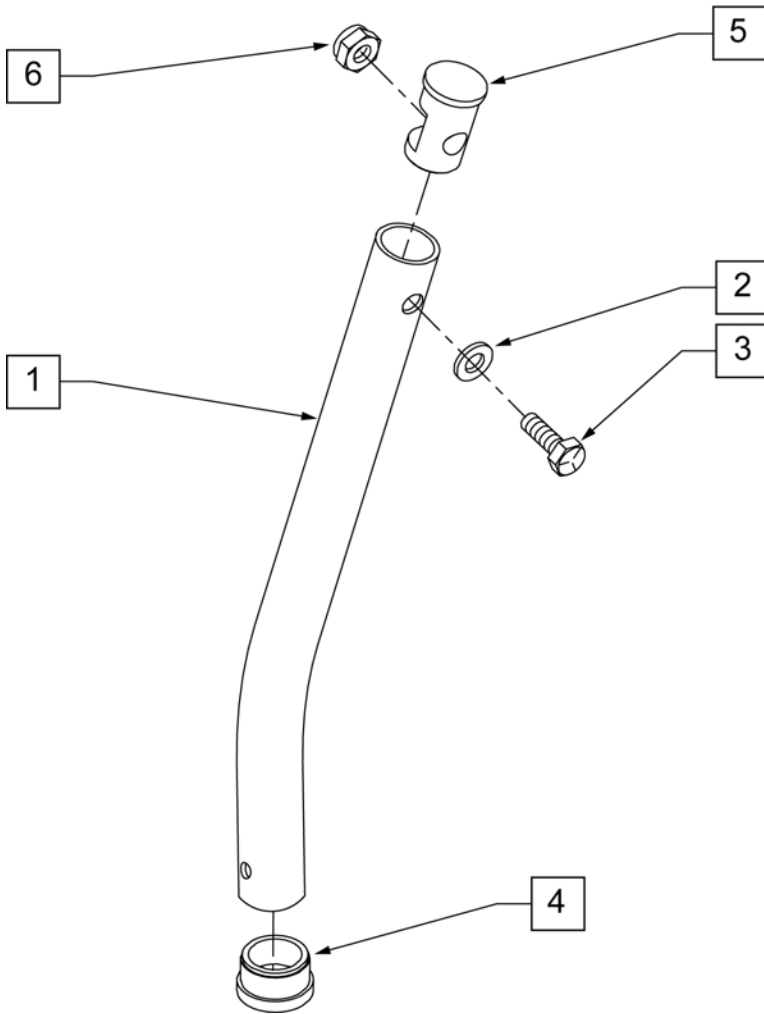
Pos.	Item Number	Description	Remarks
14	122992	ALR PIVOT SADDLE BLOCK W/NOTCH	
15	226057	10/24 x .725 BTTN HD SOC BZ	
16	561079	S/A LATCH LEVER	
17	321136	S/A SPRING L RED	
17	321137	S/A SPRING R CLEAR	
18	561004	1" SADDLE 1/4" HOLE	
19	107016	1/4-28 x 3 G8 HEX C/S	
20	882466	ALR S/A TUBE ASSM L	LEFT
20	882467	ALR S/A TUBE ASSM R	RIGHT
23	106964	1/4-28 x 2 BH C/S	
24	561016	1" WASHER 5/16" HOLE	
25	505900	ALR RATCHET BLOCK	
26	483062	ALR RATCHET ROD	
27	561006	1" SADDLE 5/16" HOLE	
28	505026S	ALR TUBE ONLY	
29	561082	1" TUBE END BUSHING THIN	
30	226195	5/16-18 x 1.82 BH C/S	
31	106937	NUT NYLOCK THIN 5/16-18 ROHS	
21,22	881500	LATCH BLOCK ASSM R	RIGHT
21,22	881501	LATCH BLOCK ASSM L	LEFT
1-26	880092	HANGER ALR SUB ASSM R	RIGHT
1-26	880093	HANGER ALR SUB ASSM L	LEFT
1-31	641464S	HANGER ALR W/O PAD PNTD R	RIGHT
1-31	641465S	HANGER ALR W/O PAD PNTD L	LEFT
32	923051S	ALR HANGER ASSM W/PAD ALUM LB	PAIR
15-17,21,22	881521	S/A LATCH KIT CASTING RIGHT	
15-17,21,22	881522	S/A LATCH KIT CASTING LEFT	



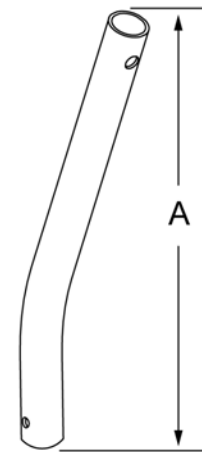
Pos.	Item Number	Description
1	106936	5/16-18 NYLOCK NUT THICK
2	755010	ALR/ELR PAD
3	561096	ALR/ELR CALF PAD BRACKET
4	281182	1/4-20 x 5/8 PAN PHIL
5	561099	CALF CLAMP ALR
6	107019	HHCS 5/16-18 X 3-1/2 ROHS
7	107017	1/4-20 x 1 1/4 G8 HEX C/S
8	483027	1/4 x 1/4 ALUMINUM SPACER BLK
9	104414	WAVE WASHER 6 MM
1-6	881399	ALR CALF PAD W/BRACKET
1,3-9	881398	ALR CALF CLAMP ASSM W/O PAD
1-9	881400	ALR CALF PAD ASSEMBLY (EA)

NOTE: (Discontinued on Quickie 2 for 60° and 70° Hangers 10/23/99- Parts only).

NOTE: Used on Articulating Hanger Assemblies.



MEASURING GUIDE



	"A"
SHORT	6 5/8"
MED	9"
LONG	11 5/8"
X-LONG	13 1/2"

Pos.	Item Number	Description
1	521010	FOOTREST EXT TUBE ONLY SHT BLK
1	521011	FOOTREST EXT TUBE ONLY MED BLK
1	521012	FOOTREST EXT TUBE ONLY LNG BLK
1	521013	FOOTREST EXT TUBE ONLY X-LNG BLK
2	104414	WAVE WASHER 6 MM
3	106958	HHCS 1/4-20 X 1 ROHS
4	561000-QU	3/4" INSERT PLUG .083
5	483553	FOOTREST INSERT PLUG Q2
6	106932	NUT NYLOCK 1/4-20 ROHS
1-6	921221	FOOTREST EXT TUBE SHT ASSM BLK (EA)
1-6	921222	FOOTREST EXT TUBE MED ASSM BLK (EA)
1-6	921223	FOOTREST EXT TUBE LNG ASSM BLK (EA)
1-6	921224	FOOTREST EXT TUBE X-LNG ASSM BLK (EA)

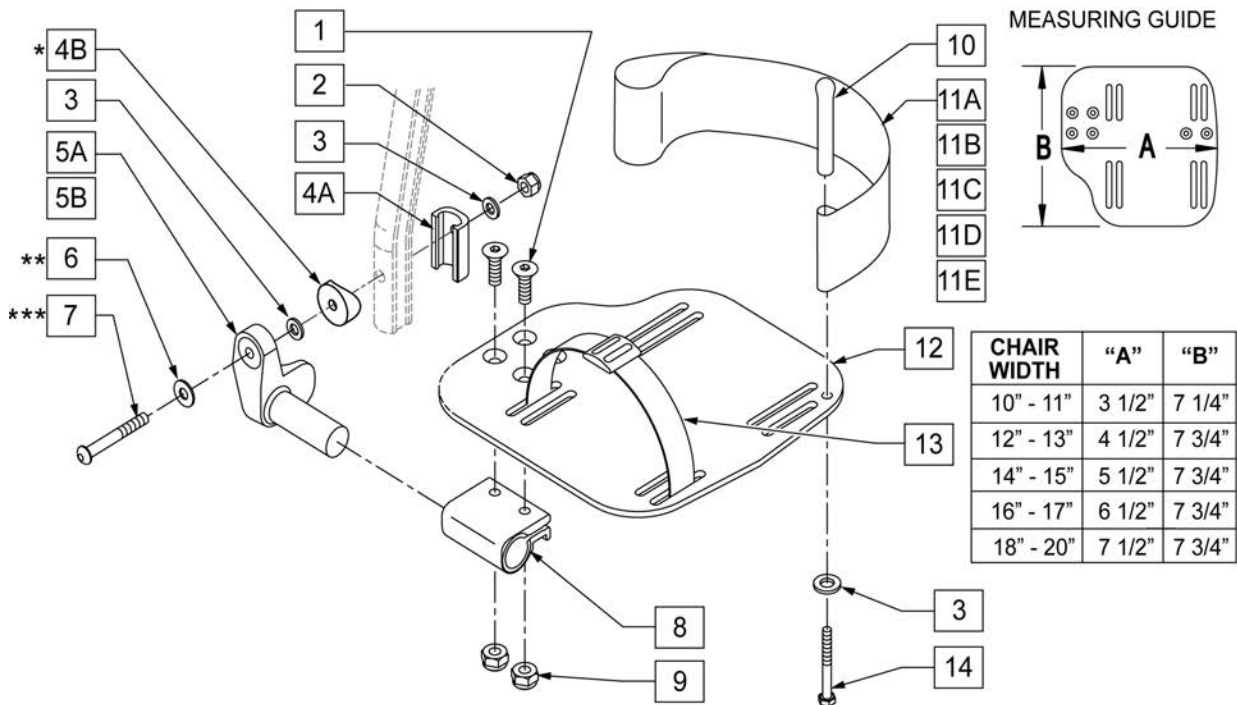
NOTE: FOR HIGH-MOUNT ADULT ANGLE-ADJUSTABLE FOOTPLATE, SEE "HIGH-MOUNT EXTENSION TUBE" PAGE.

NOTE: ORDER ITEM 4B FOR CHAIRS PRIOR TO 8/13/01.

NOTE: ONLY 1 WASHER PRIOR TO 8/13/01.

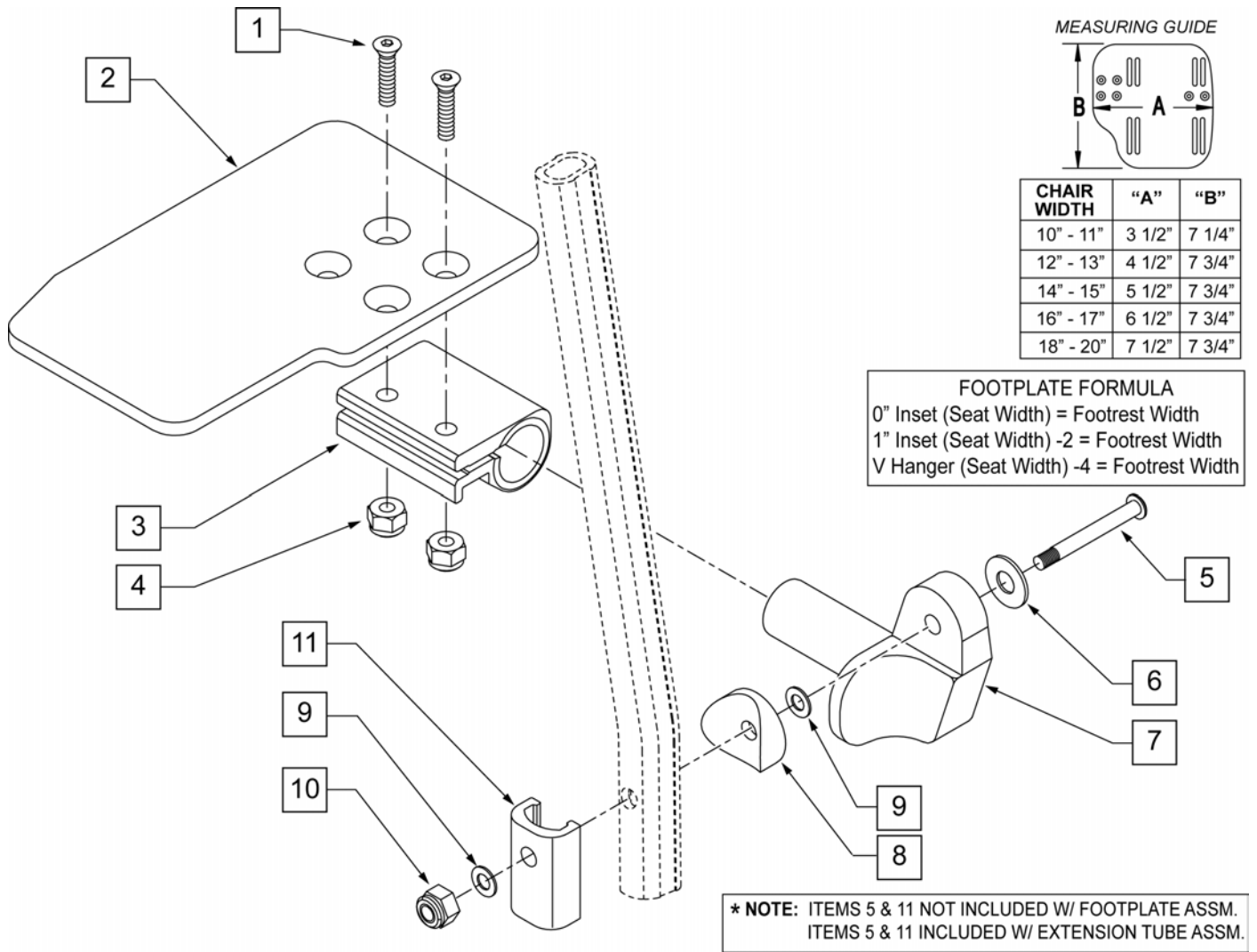
NOTE: ORDER PART 226167 PRIOR TO 8/13/01.

NOTE: See attached REFERENCE GUIDE.



Pos.	Item Number	Description	Remarks
1	106978	1/4-28 x 7/8 FH C/S	
2	106941	1/4-28 AUTOMATION NUT	

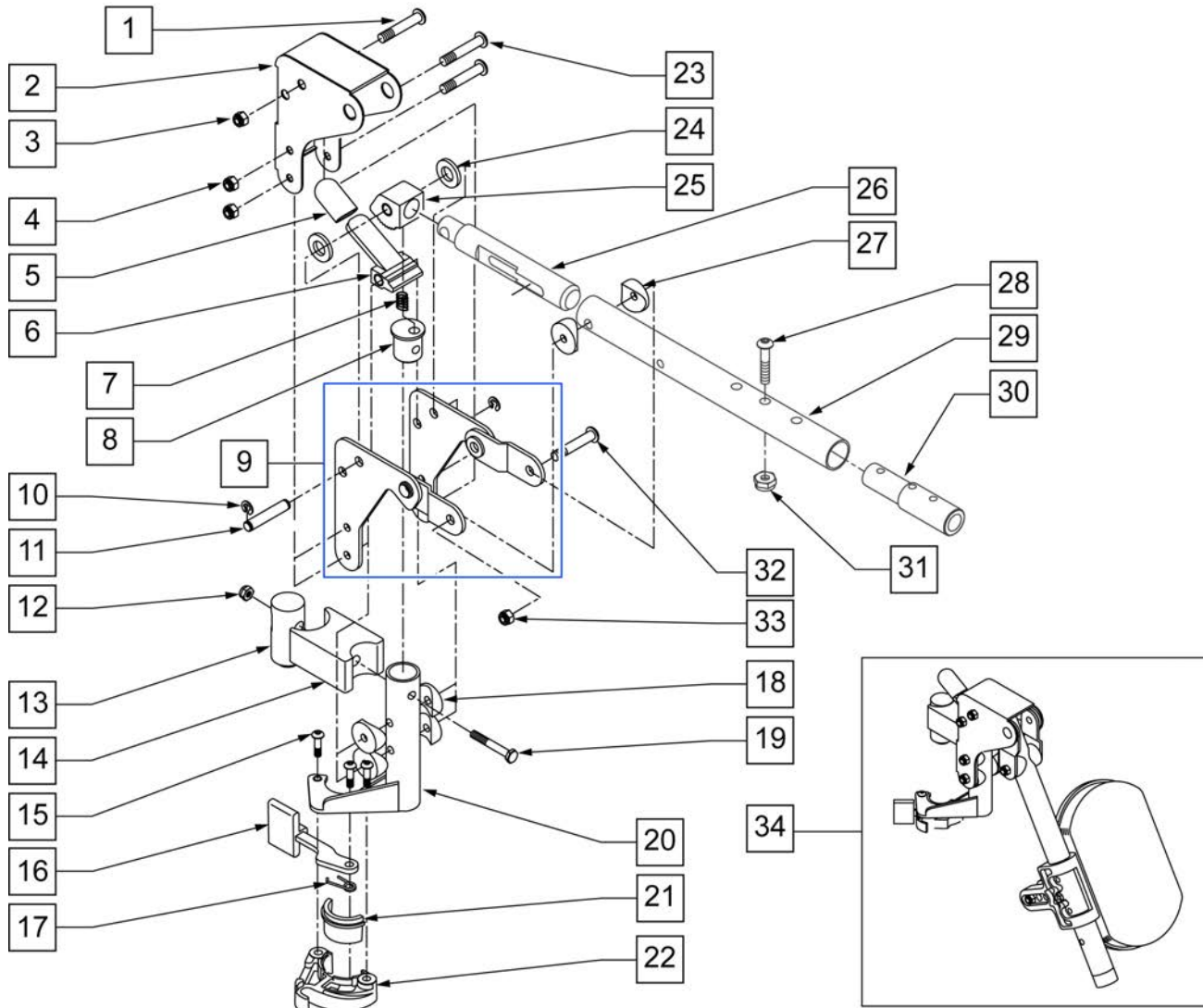
Pos.	Item Number	Description	Remarks
3	106943	WASHER FLAT AN 1/4 ROHS	
4A	483720	HANGER EXTENSION SADDLE LONG	USE W/ DOUBLE D EXT TUBE
4B	561055	3/4" SADDLE 1" OD	USE W/ ROUND EXT TUBE
5	541002	FTRST MOUNTING BRKT-3/8 RAD R	RIGHT
5	541003	FTRST MOUNTING BRKT-3/8 RAD L	LEFT
6	106945	WASHER FLAT SAE 1/4 ROHS	
7A	106962	BHCS 1/4-28 X 1-3/4 ROHS	USE W/ DOUBLE D EXT TUBE
7B	226167	1/4-28 x 1.625 BH C/S BLK	USE W/ ROUND EXT TUBE
8	550350	3/4" CLMP ADJ FT PLT	
9	106935	NUT NYLOCK THIN 1/4-28 ROHS	
10	561040	HEEL LOOP PEG	
11A	741154	HEEL LOOP 14-15 CMPST HEMI	USED W/ 10-11" ADULT ANG ADJ FTPLTS
11B	741155	HEEL LOOP 16-17 CMPST HEMI	USED W/ 12 -13" ADULT ANG ADJ FTPLTS
11C	741153	H/L 18-20 CMPST/14-15 ANG ADJ	USED W/ 14-15"/16-17" ADULT ANG ADJ FTPLTS
11D	741253	HEEL LOOP ADLT ADJ F/PLT 18-20	USED W/ 18 -20" ADULT ANG ADJ FTPLTS
12	500656	ADLT ANGL ADJ F/PLT 10/11" R	RIGHT
12	500657	ADLT ANGL ADJ F/PLT 10/11" L	LEFT
12	500658	ADLT ANGL ADJ F/PLT 12/13" R	RIGHT
12	500659	ADLT ANGL ADJ F/PLT 12/13" L	LEFT
12	500660	ADLT ANGL ADJ F/PLT 14/15	RIGHT
12	500661	ADLT ANGL ADJ F/PLT 14/15	LEFT
12	500662	ADLT ANGL ADJ F/PLT 16/17	RIGHT
12	500663	ADLT ANGL ADJ F/PLT 16/17	LEFT
12	500664	ADLT ANGL ADJ F/PLT 18-20	RIGHT
12	500665	ADLT ANGL ADJ F/PLT 18-20	LEFT
13	740260	TOE/ANKLE STRAP ADJ ADLT F/PLT	
14	106958	1/4-20 x 1 HEX C/S	
1-3,5,6,8,9,12	820526	AD ANG ADJ F/PLT R 12"/13" OMIT HL	RIGHT
1-3,5,6,8,9,12	820536	AD ANG ADJ F/PLT L 12"/13" OMT HL	LEFT
1-3,5,6,8,9,12	820460	FP ADLT ADJ 14/15 OMIT HL	RIGHT
1-3,5,6,8,9,12	820462	FP ADLT ADJ 14/15 OMIT HL	LEFT
1-3,5,6,8,9,12	820464	FP ADLT ADJ 16/17 OMIT HL	RIGHT
1-3,5,6,8,9,12	820466	FP ADLT ADJ 16/17 OMIT HL	LEFT
1-3,5,6,8,9,12	820468	FP ADLT ADJ 18-20 OMIT HL	RIGHT
1-3,5,6,8,9,12	820470	FP ADLT ADJ 18-20 OMIT HL	LEFT
1-3,5,6,8,9,12	921466	ADLT ANGL ADJ F/PLT 12"/13" OMIT HL	PAIR
1-3,5,6,8,9,12	921320	FP ADLT ADJ 14/15 OMIT HL	PAIR
1-3,5,6,8,9,12	921322	FP ADLT ADJ 16/17 OMIT HL	PAIR
1-3,5,6,8,9,12	921324	FP ADLT ADJ 18-20 OMIT HL	PAIR
1-3,5,6,8,9,12	820522	AD ANGL ADJ F/PLT R 12/13" H/L	RIGHT
1-3,5,6,8,9,12	820532	AD ANGL ADJ F/PLT L 12/13" H/L	LEFT
1-3,5,6,8-10,11C, 12,14	820461	FP ADLT ADJ 14/15 HL	RIGHT
1-3,5,6,8-10,11C, 12,14	820463	FP ADLT ADJ 14/15 HL	LEFT
1-3,5,6,8-10,11C, 12,14	820465	FP ADLT ADJ 16/17 HL	RIGHT
1-3,5,6,8-10,11C, 12,14	820467	FP ADLT ADJ 16/17 HL	LEFT
1-3,5,6,8-10,11D, 12,14	820469	FP ADLT ADJ 18-20 HL	RIGHT
1-3,5,6,8-10,11D, 12,14	820471	FP ADLT ADJ 18-20 HL	LEFT
1-3,5,6,8-10,11B, 12,14	921462	ADLT ANGL ADJ F/PLATE 12"/13" HL	PAIR
1-3,5,6,8-10,11C, 12,14	921321	FP ADLT ADJ 14/15 HL	PAIR
1-3,5,6,8-10,11C, 12,14	921323	FP ADLT ADJ 16/17 HL	PAIR
1-3,5,6,8-10,11D, 12,14	921325	FP ADLT ADJ 18-20 HL	PAIR
1-3,6,7A,9-10,14	101533	ADLT ANG ADJ FP D2 HDWR KIT	FOR DOUBLE D EXT TUBES
1-3B,4B,6,7B,9,10,14	101534	ADLT ANG ADJ FP RND HDWR KIT	FOR ROUND EXT TUBES (Q2 HP ONLY)



Pos.	Item Number	Description	Remarks
1	106978	FHCS 1/4 -28 x 7/8 ROHS	
2	500635	KIDS ANGL ADJ F/PLT 10" R	Right
2	500636	KIDS ANGL ADJ F/PLT 10" L	Left
2	500637	KIDS ANGL ADJ F/PLT 11" R	Right
2	500638	KIDS ANGL ADJ F/PLT 11" L	Left
2	500639	KIDS ANGL ADJ F/PLT 12" R	Right
2	500640	KIDS ANGL ADJ F/PLT 12" L	Left
2	500641	KIDS ANGL ADJ F/PLT 13" R	Right
2	500642	KIDS ANGL ADJ F/PLT 13" L	Left
2	500643	KIDS ANGL ADJ F/PLT 14" R	Right
2	500644	KIDS ANGL ADJ F/PLT 14" L	Left
2	500645	KIDS ANGL ADJ F/PLT 15" R	Right
2	500646	KIDS ANGL ADJ F/PLT 15" L	Left
2	500647	KIDS ANGL ADJ F/PLT 16" R	Right
2	500648	KIDS ANGL ADJ F/PLT 16" L	Left
3	550350	3/4" CLAMP ADJ FOOTPLATE	
4	106935	NUT NYLOCK THIN 1/4 -28 ROHS	
5	106962	1/4-28 x 1 3/4 BH C/S BLK ZN (D2 EXTENSION TUBES)	

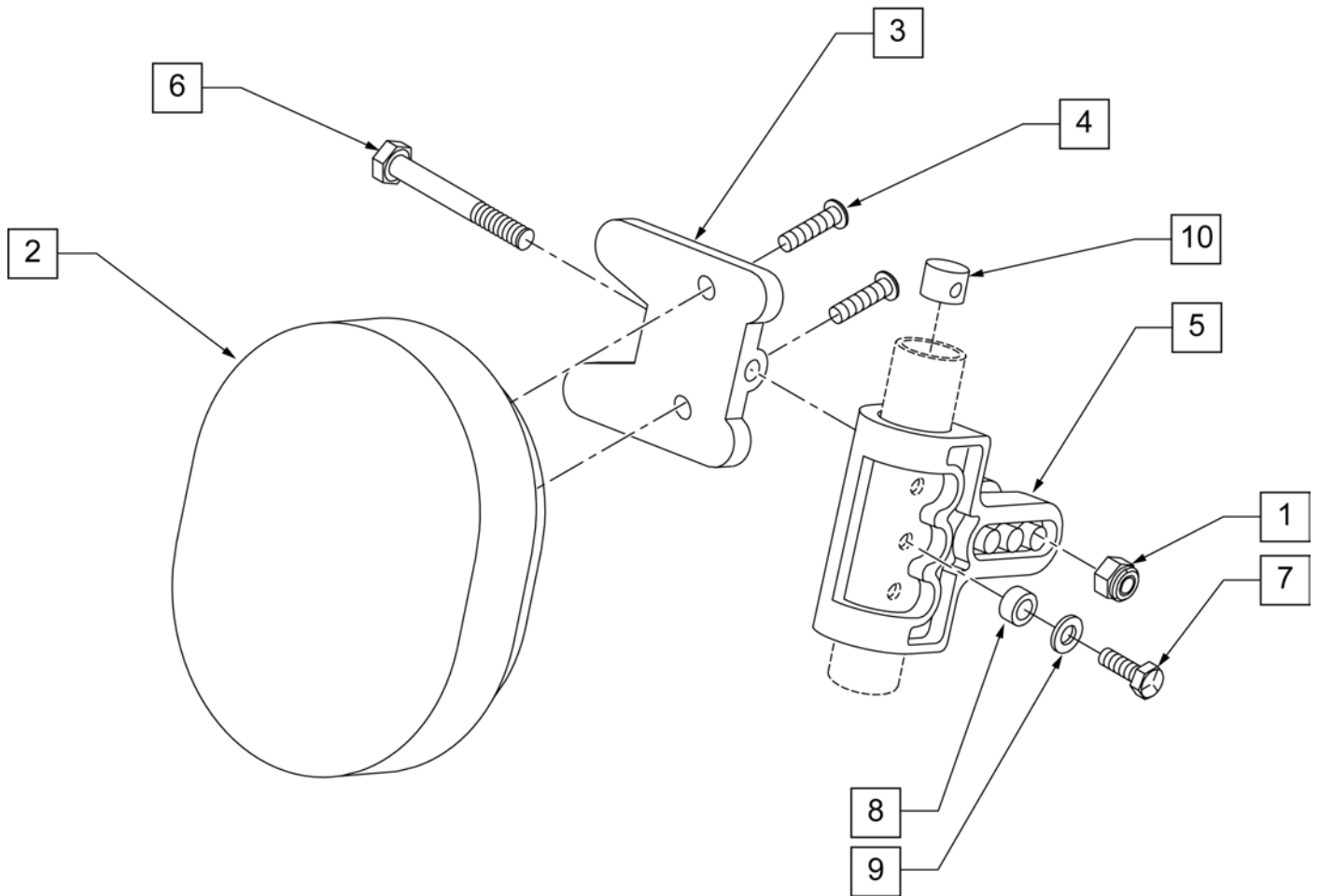
Pos.	Item Number	Description	Remarks
5	226167	1/4-28 x 1.625 BH C/S BLK (ROUND EXTENSION TUBES)	
6	106945	1/4 SAE WASHER	
7	541002	FTRST MOUNTING BRKT-3/8 RAD R	
7	541003	FTRST MOUNTING BRKT-3/8 RAD L	
8	561055	3/4" SADDLE 1" OD	
9	106944	WASHER FLAT THIN AN 1/4 ROHS	
10	106941	NUT AUTOMATION 1/4 -28 ROHS	
1-7,9,10	828850	KIDS ANG ADJ F/PLT EXT-MNT 10"R	Right
1-7,9,10	828851	KIDS ANG ADJ F/PLT EXT-MNT 10"L	Left
1-7,9,10	828852	KIDS ANG ADJ F/PLT EXT-MNT 11"R	Right
1-7,9,10	828853	KIDS ANG ADJ F/PLT EXT-MNT 11"L	Left
1-7,9,10	828854	KIDS ANG ADJ F/PLT EXT-MNT 12"R	Right
1-7,9,10	828855	KIDS ANG ADJ F/PLT EXT-MNT 12"L	Left
1-7,9,10	828856	KIDS ANG ADJ F/PLT EXT-MNT 13"R	Right
1-7,9,10	828857	KIDS ANG ADJ F/PLT EXT-MNT 13"L	Left
1-7,9,10	828858	KIDS ANG ADJ F/PLT EXT-MNT 14"R	Right
1-7,9,10	828859	KIDS ANG ADJ F/PLT EXT-MNT 14"L	Left
1-7,9,10	828860	KIDS ANG ADJ F/PLT EXT-MNT 15"R	Right
1-7,9,10	828861	KIDS ANG ADJ F/PLT EXT-MNT 15"L	Left
1-7,9,10	828862	KIDS ANG ADJ F/PLT EXT-MNT 16"R	Right
1-7,9,10	828863	KIDS ANG ADJ F/PLT EXT-MNT 16"L	Left
1-7,9,10	921280	KIDS ANG ADJ F/PLT EXT-MNT 10"	Pair
1-7,9,10	921281	KIDS ANG ADJ F/PLT EXT-MNT 11"	Pair
1-7,9,10	921282	KIDS ANG ADJ F/PLT EXT-MNT 12"	Pair
1-7,9,10	921283	KIDS ANG ADJ F/PLT EXT-MNT 13"	Pair
1-7,9,10	921284	KIDS ANG ADJ F/PLT EXT-MNT 14"	Pair
1-7,9,10	921285	KIDS ANG ADJ F/PLT EXT-MNT 15"	Pair
1-7,9,10	921286	KIDS ANG ADJ F/PLT EXT-MNT 16"	Pair

NOTE: WHEN USING AN ARTICULATING LEGREST ASSEMBLY, THE PULL-TO-LOCK WHEEL LOCK MUST BE USED.

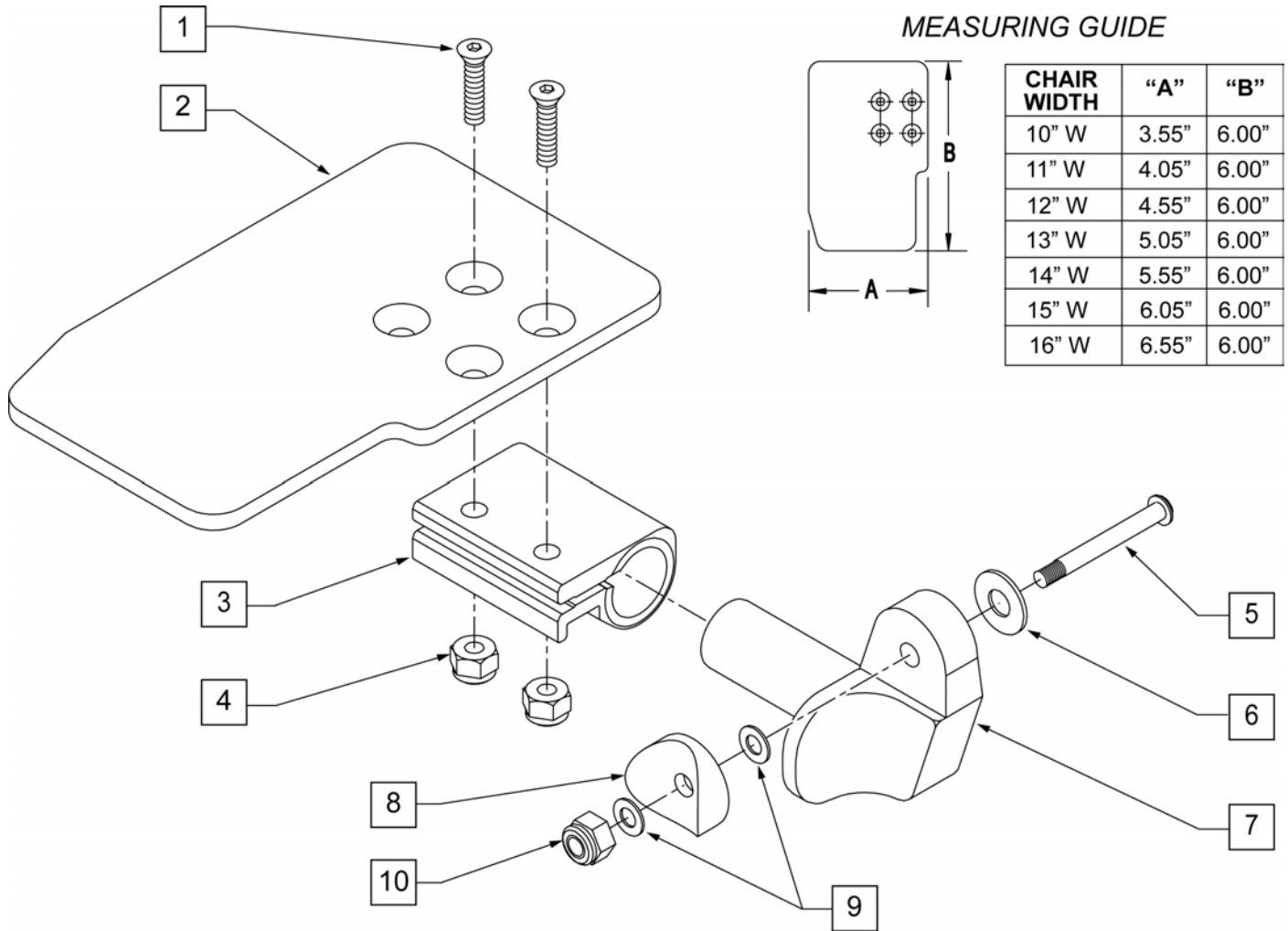


Pos.	Item Number	Description	Remarks
1	106983	5/16-18 x 2 BH C/S SHT THREAD	
2	562720	ALR COVER STD	
3	106937	5/16-18 NYLOCK NUT THIN	
4	106935	NUT NYLOCK THIN 1/4-28 ROHS	
5	560501	ALR RELEASE LEVER COVER	
6	505902	ALR RELEASE LEVER	
7	321141	650L x 6 COIL SPRING	
8	483060	ALR SPRING PLUG	
9	880526	ALR BRACKET W/LINK R	
9	880527	ALR BRACKET W/LINK L	
10	342000	1/4" E-CLIP	
11	481052	ALR RETAINING STUD	
12	106934	1/4-28 NYLOCK NUT	

Pos.	Item Number	Description	Remarks
13	500177	ALR PIVOT SADDLE .125	
14	500178	ALR PIVOT SADDLE BLOCK	
15	226057	10/24 x .725 BTTN HD SOC BZ	
16	561079	S/A LATCH LEVER	
17	321136	S/A SPRING R CLEAR	
17	321137	S/A SPRING R	
18	561004	1' SADDLE 1/4 HOLE	
19	107016	1/4-28 x 3 G8 HEX C/S	
20	882466	ALR S/A TUBE ASSM L	
20	882467	ALR S/A TUBE ASSM R	
23	106964	1/4-28 x 2 BH C/S	
24	561016	1" WASHER 5/16 HOLE	
25	505900	ALR RATCHET BLOCK	
26	483062	ALR RATCHET ROD	
27	561006	1" SADDLE 5/16" HOLE	
28	106961	1/4-28 x 1 1/4 BH C/S	
29	505025S	KIDS ALR LEGREST TUBE 11-13"	
30	500150	2" FOOTREST EXT TUBE	
31	106935	NUT NYLOCK THIN 1/4-28 ROHS	
32	226195	5/16-18 x 1.82 BH C/S	
33	106937	5/16-18 NYLOCK NUT THIN	
34	923053S	KIDS ALR HANGER ASSEM W/PAD	(PR) (SPECIFY COLOR)
28,30,31	111505	2" FTREST EXT W/ HDWR	
21,22	881500	LATCH BLOCK ASSM R	
21,22	881501	LATCH BLOCK ASSM L	
1-31	641432S	KIDS ALR HNGR W/O PAD R 2" EXT	
1-31	641433S	KIDS ALR HNGR W/O PAD L 2" EXT	

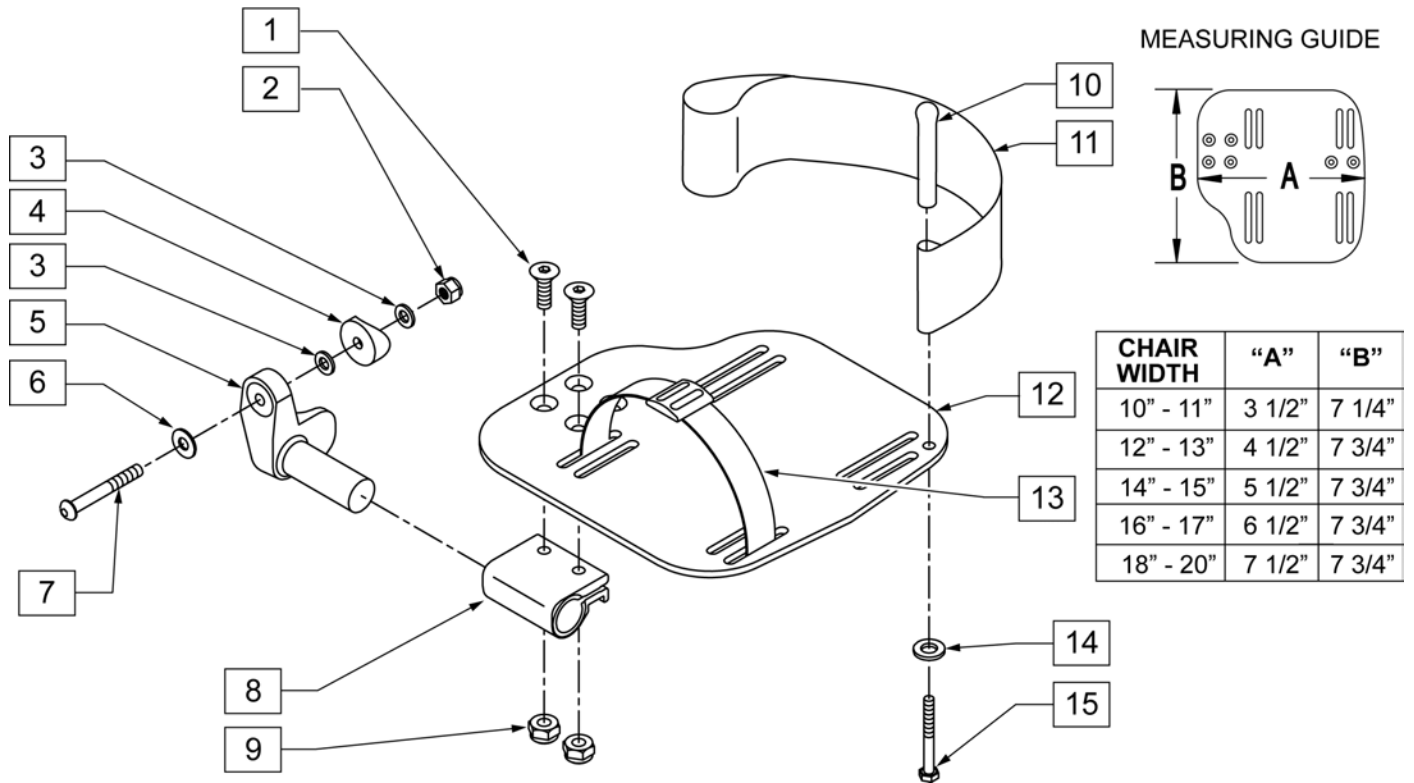


Pos.	Item Number	Description
1	106936	5/16-18 NYLOCK NUT THICK
2	755020	4 x 5 OVAL PAD
3	561096	ALR/ELR CALF PAD BRACKET
4	281181	1/4-20 x 3/4 PAN PHIL
5	561099	CALF CLAMP ALR
6	107019	HHCS 5/16-18 X 3-1/2 ROHS
7	107017	1/4-20 x 1 1/4 G8 HEX C/S
8	483027	1/4 x 1/4 ALUMINUM SPACER
9	262130	6mm WASHER WAVE
10	500151	KIDS ALR RETAINING PLUG
1-6	881401	KIDS ALR OVAL PAD W/BRACKET
1-10	881402	KIDS ALR OVAL PAD ASSEMBLY (EA)



Pos.	Item Number	Description	Remarks	Pos.	Item Number	Description	Remarks
1	106978	FHCS 1/4-28 X 7/8 ROHS		7	541001	FTRST MOUNTING BRKT 1 RAD	RIGHT
2	500635	KIDS ANGL ADJ F/PLT 10	RIGHT	8	561004	1 SADDLE 1/4 HOLE	
2	500636	KIDS ANGL ADJ F/PLT 10	LEFT	9	106943	WASHER FLAT THIN AN 1/4	
2	500637	KIDS ANGL ADJ F/PLT 11	RIGHT	10	106941	NUT AUTOMATION 1/4-28 ROHS	
2	500638	KIDS ANGL ADJ F/PLT 11	LEFT	1-10	828821	KIDS ANG ADJ F/PLT ASSM 10	RIGHT
2	500639	KIDS ANGL ADJ F/PLT 12	RIGHT	1-10	828822	KIDS ANG ADJ F/PLT ASSM 10	LEFT
2	500640	KIDS ANGL ADJ F/PLT 12	LEFT	1-10	828823	KIDS ANG ADJ F/PLT ASSM 11	RIGHT
2	500641	KIDS ANGL ADJ F/PLT 13	RIGHT	1-10	828824	KIDS ANG ADJ F/PLT ASSM 11	LEFT
2	500642	KIDS ANGL ADJ F/PLT 13	LEFT	1-10	828825	KIDS ANG ADJ F/PLT ASSM 12	RIGHT
2	500643	KIDS ANGL ADJ F/PLT 14	RIGHT	1-10	828826	KIDS ANG ADJ F/PLT ASSM 12	LEFT
2	500644	KIDS ANGL ADJ F/PLT 14	LEFT	1-10	828827	KIDS ANG ADJ F/PLT ASSM 13	RIGHT
2	500645	KIDS ANGL ADJ F/PLT 15	RIGHT	1-10	828828	KIDS ANG ADJ F/PLT ASSM 13	LEFT
2	500646	KIDS ANGL ADJ F/PLT 15	LEFT	1-10	828829	KIDS ANG ADJ F/PLT ASSM 14	RIGHT
2	500647	KIDS ANGL ADJ F/PLT 16	RIGHT	1-10	828830	KIDS ANG ADJ F/PLT ASSM 14	LEFT
2	500648	KIDS ANGL ADJ F/PLT 16	LEFT	1-10	828831	KIDS ANG ADJ F/PLT ASSM 15	RIGHT
3	550350	3/4 CLAMP ADJ FOOTPLATE		1-10	828832	KIDS ANG ADJ F/PLT ASSM 15	LEFT
4	106935	NUT NYLOCK THIN 1/4-28 ROHS		1-10	828833	KIDS ANG ADJ F/PLT ASSM 16	RIGHT
5	226147	1/4-28 X 1.85 BH C/S BLK ZN		1-10	828834	KIDS ANG ADJ F/PLT ASSM 16	LEFT
6	106945	WASHER FLAT SAE 1/4 ROHS		1-10	921226	KIDS ANG ADJ F/PLT ASSM 10	PAIR
7	541000	FTRST MOUNTING BRKT 1 RAD	RIGHT	1-10	921227	KIDS ANG ADJ F/PLT ASSM 11	PAIR

Pos.	Item Number	Description	Remarks	Pos.	Item Number	Description	Remarks
1-10	921228	KIDS ANG ADJ F/PLT ASSM 12	PAIR	1-10	921231	KIDS ANG ADJ F/PLT ASSM 15	PAIR
1-10	921229	KIDS ANG ADJ F/PLT ASSM 13	PAIR	1-10	921232	KIDS ANG ADJ F/PLT ASSM 16	PAIR
1-10	921230	KIDS ANG ADJ F/PLT ASSM 14	PAIR				



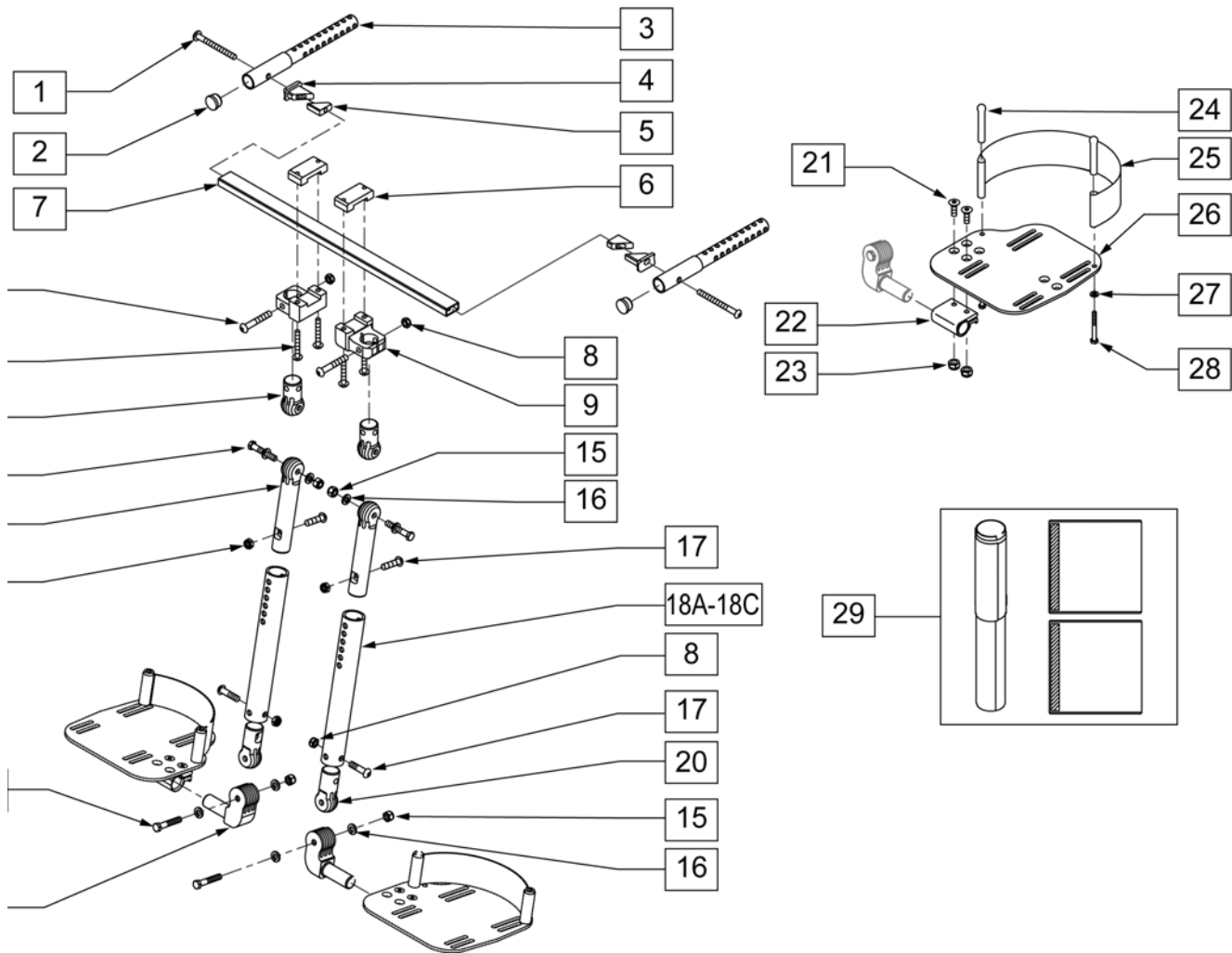
Pos.	Item Number	Description	Remarks
1	106978	FHCS 1/4-28 X 7/8 ROHS	
2	106941	NUT AUTOMATION 1/4-28 ROHS	
3	106943	WASHER FLAT AN 1/4 ROHS	
4	561004	1" SADDLE 1/4" HOLE	
5	541000	FOOTREST MOUNTING BRKT-1" RAD	RIGHT
5	541001	FOOTREST MOUNTING BRKT-1" RAD	LEFT
6	106945	WASHER FLAT SAE 1/4 ROHS	
7	106964	BHCS 1/4-28 X 2	
8	550350	3/4" CLAMP ADJ FOOTPLATE	
9	106935	NUT NYLOCK THIN 1/4-28 ROHS	
10	561040	HEEL LOOP PEG	
11	741153	HEEL LOOP 18-20 CMPST/14-15 ANG ADJ	USED W/ 14-15"/16-17" ADULT ANG ADJ FTPLTS
11	741253	HEEL LOOP ADLT ADJ F/PLT 18-20	USED W/ 18 -20" ADULT ANG ADJ FTPLTS
12	500656	ADULT ANGL ADJ F/PLT 10/11	RIGHT
12	500657	ADULT ANGL ADJ F/PLT 10/11	LEFT
12	500658	ADULT ANGL ADJ F/PLT 12/13	RIGHT
12	500659	ADULT ANGL ADJ F/PLT 12/13	LEFT
12	500660	ADULT ANGL ADJ F/PLT 14/15	RIGHT
12	500661	ADULT ANGL ADJ F/PLT 14/15	LEFT
12	500662	ADULT ANGL ADJ F/PLT 16/17	RIGHT
12	500663	ADULT ANGL ADJ F/PLT 16/17	LEFT
12	500664	ADULT ANGL ADJ F/PLT 18-20	RIGHT
12	500665	ADULT ANGL ADJ F/PLT 18-20	LEFT
13	740260	TOE-ANKLE STRAP ADJ ADULT FOOTPLATE	
14	106943	WASHER FLAT AN 1/4 ROHS	

Pos.	Item Number	Description	Remarks
15	106958	HHCS 1/4-20 X 1 ROHS	
1-9,12	820544	FP ADULT ADJ 90D 10/11 R	RIGHT
1-9,12	820554	FP ADULT ADJ 90D 10/11 L	LEFT
1-9,12	820546	FP ADULT ADJ 90D 12/13 R	RIGHT
1-9,12	820556	FP ADULT ADJ 90D 12/13 L	LEFT
1-9,12	820472	FP ADULT ADJ 90D 14/15 R	RIGHT
1-9,12	820473	FP ADULT ADJ 90D 14/15 L	LEFT
1-9,12	820474	FP ADULT ADJ 90D 16/17 R	RIGHT
1-9,12	820475	FP ADULT ADJ 90D 16/17 L	LEFT
1-9,12	820476	FP ADULT ADJ 90D 18-20 R	RIGHT
1-9,12	820477	FP ADULT ADJ 90D 18-20 L	LEFT
1-9,12	921474	ADULT ANGL ADJ 90D 10/11 OMIT H/L	PAIR
1-9,12	921476	ADULT ANGL ADJ 90D 12/13 OMIT H/L	PAIR
1-9,12	921330	ADULT ANGL ADJ 90D 14/15 OMIT H/L	PAIR
1-9,12	921331	ADULT ANGL ADJ 90D 16/17 OMIT H/L	PAIR
1-9,12	921332	ADULT ANGL ADJ 90D 18-20 OMIT H/L	PAIR
1-12,14,15	820540	F/PLT ADULT ADJ 90D 10/11 R W/ HL	RIGHT
1-12,14,15	820550	F/PLT ADULT ADJ 90D 10/11 L W/ HL	LEFT
1-12,14,15	820542	F/PLT ADULT ADJ 90D 12/13 R W/ HL	RIGHT
1-12,14,15	820552	F/PLT ADULT ADJ 90D 12/13 L W/ HL	LEFT
1-12,14,15	820478	F/PLT ADULT ADJ 90D 14/15 R W/ HL	RIGHT
1-12,14,15	820479	F/PLT ADULT ADJ 90D 14/15 L W/ HL	LEFT
1-12,14,15	820480	F/PLT ADULT ADJ 90D 16/17 R W/ HL	RIGHT
1-12,14,15	820481	F/PLT ADULT ADJ 90D 16/17 L W/ HL	LEFT
1-12,14,15	820482	F/PLT ADULT ADJ 90D 18-20 R W/ HL	RIGHT
1-12,14,15	820483	F/PLT ADULT ADJ 90D 18-20 L W/ HL	LEFT
1-12,14,15	921470	F/PLT ADULT ADJ 90D 10/11 W/ HL	PAIR
1-12,14,15	921472	F/PLT ADULT ADJ 90D 12/13 W/ HL	PAIR
1-12,14,15	921333	F/PLT ADULT ADJ 90D 14/15 W/ HL	PAIR
1-12,14,15	921334	F/PLT ADULT ADJ 90D 16/17 W/ HL	PAIR
1-12,14,15	921335	F/PLT ADULT ADJ 90D 18-20 W/ HL	PAIR

NOTE: 20" WIDE FOOTPLATE AND COMPONENTS ARE ALSO USED FOR THE 21" AND 22" WIDTHS.

NOTE: WHEN RETRO-FITTING CONTRACTURE FOOTREST TO AN EXISTING IRIS CHAIR WITH S/N PREFIX CGT, NEW SEAT RAILS ARE REQUIRED. ITEM 520234 QUANTITY 2.

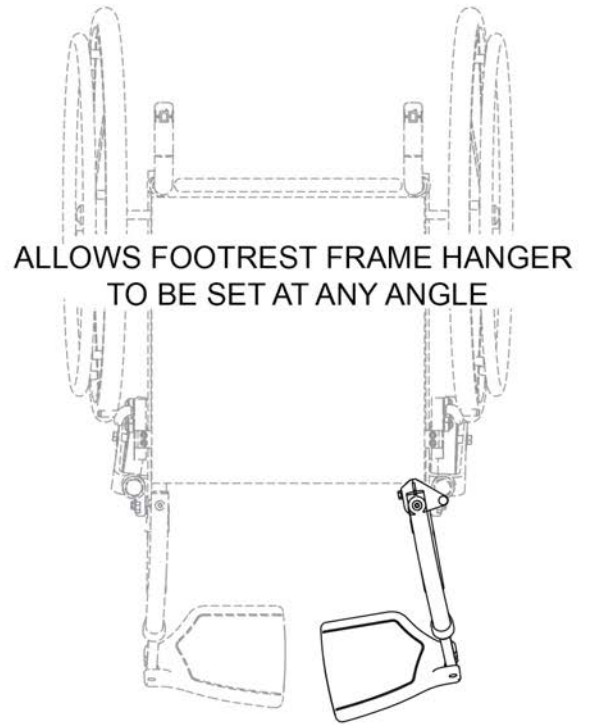
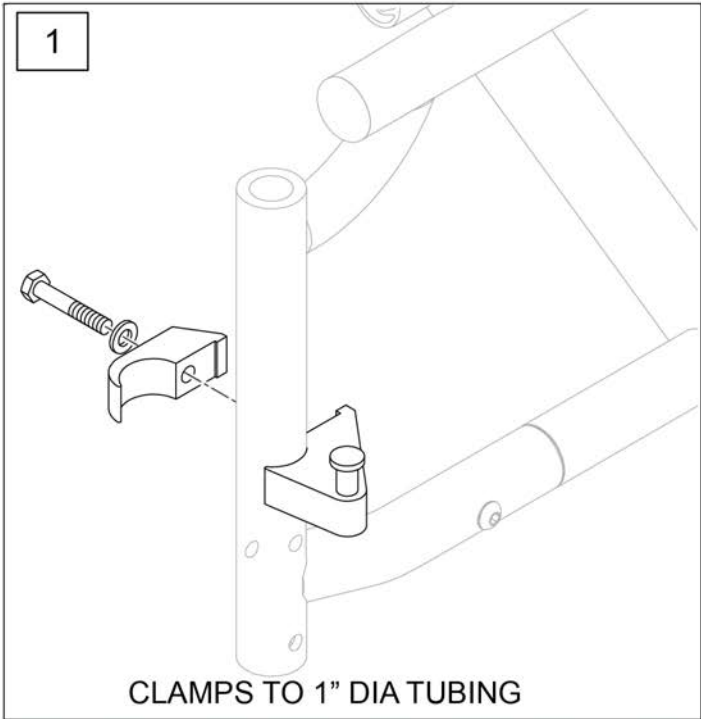
NOTE: WHEN RETRO-FITTING CONTRACTURE FOOTREST TO AN EXISTING IRIS CHAIR WITH S/N PREFIX IRS OR IRSE, NEW SEAT RAILS ARE REQUIRED. ITEM 105800-004 (NON-HEAVY DUTY) QUANTITY 2 OR 105800-008 (HEAVY DUTY) QUANTITY 2.



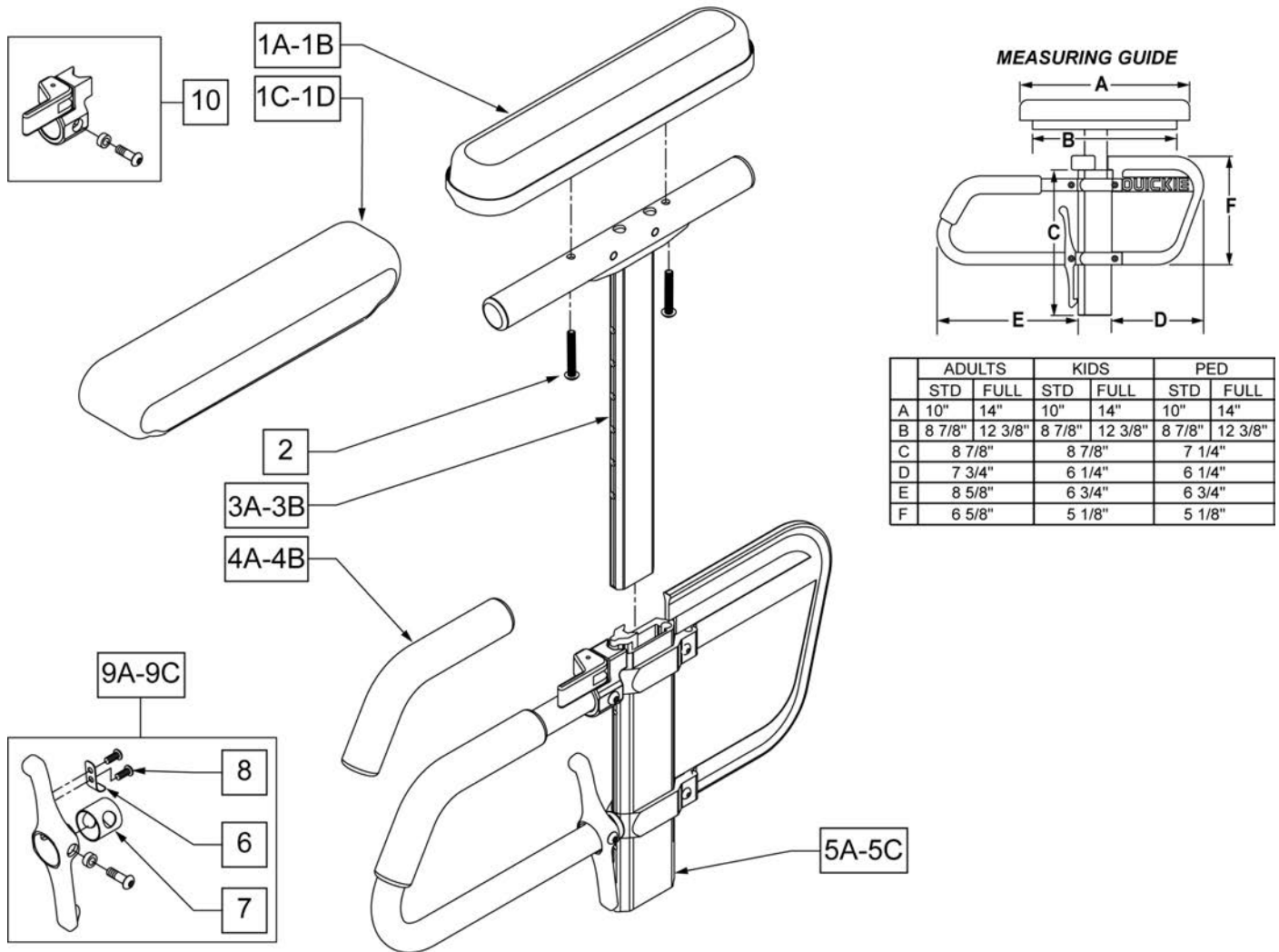
Pos.	Item Number	Description	Remarks
1	107227	1/4 -28 x 2 1/2 BH C/S BLK	
2	561002	1 INSERT PLUG .083	
3	540597	WELDMENT CONTRACTURE FOOTREST	
4	500792	CONTRACTURE FOOTREST TAB BODY	

Pos.	Item Number	Description	Remarks
5	500791	CONTRACTURE FOOTREST TAB SLIDE	
6	550465	CLAMP TOP QTS	
7	521460	CONTRACTURE FOOTREST RAIL 14"	
7	521461	CONTRACTURE FOOTREST RAIL 15"	
7	521462	CONTRACTURE FOOTREST RAIL 16"	
7	521463	CONTRACTURE FOOTREST RAIL 17"	
7	521464	CONTRACTURE FOOTREST RAIL 18"	
7	521465	CONTRACTURE FOOTREST RAIL 19"	
7	521466	CONTRACTURE FOOTREST RAIL 20"	
7	521467	CONTRACTURE FOOTREST RAIL 21"	
7	521468	CONTRACTURE FOOTREST RAIL 22"	
8	202117	5/16-18 NYLOCK NUT THICK BLK	
9	483180	OFFSET CLAMP BODY QTS	
10	106983	BHCS 5/16 -18 x 2 SHOULDER ROHS	
11	106961	BHCS 1/4 -28 x 1 1/4 ROHS	
12	483191	EXTERIOR LOCKING JOINT QTS	
13	222235	5/16-18 x 1 3/4 HEX C/S BLK	
14	503005	ADJUSTMENT LOCKING JOINT	
15	202117	5/16-18 NYLOCK NUT THICK BLK	
16	265103	5/16 WASHER MED BLK LK SPLT	
17	222109	5/16-18 x 1 1/4 BH C/S BLK ZN	
18A	524041	SHORT CONTRACTURE FOOTREST MOUNT TUBE	10.5" -13"Leg Lengths
18B	524044	MEDIUM CONTRACTURE FOOTREST MOUNT TUBE	12.5" -15"Leg Lengths
18C	524045	CONTRACTURE FOOTREST MOUNT TUBE-LONG	14.5 -17"Leg Lengths
19	483189	FOOTREST JOINT QTS	
20	483181	INTERIOR LOCKING JOINT QTS	
21	106978	FHCS 1/4 -28 x 7/8 ROHS	
22	550350	3/4 CLAMP ADJUSTABLE FOOT PLATE	
23	106935	NUT NYLOCK THIN 1/4 -28 ROHS	
24	561040	HEEL LOOP PEG	
25	741130	HEEL LOOP MULTI-POSITION 14/15	
25	741131	HEEL LOOP MULTI-POSITION 16/17	
25	741132	HEEL LOOP MULTI-POSITION 18-20	
26A	500660	ADULT ANGLE ADJUSTABLE FOOT PLATE 14/15	RIGHT
26A	500661	ADULT ANGLE ADJUSTABLE FOOT PLATE 14/15	LEFT
26B	500662	ADULT ANGLE ADJUSTABLE FOOT PLATE 16/17	RIGHT
26B	500663	ADULT ANGLE ADJUSTABLE FOOT PLATE 16/17	LEFT
26C	500664	ADULT ANGLE ADJUSTABLE FOOT PLATE 18-20	RIGHT
26C	500665	ADULT ANGLE ADJUSTABLE FOOT PLATE 18-20	LEFT
27	106944	WASHER FLAT THIN AN 1/4 ROHS	
28	106958	HHCS 1/4 -28 x 1 ROHS	
29	731101	COVER PAD CONTRACTURE FOOT REST	
8, 12-20	888810	CONTRACTURE FOOT REST MOUNT TUBE ASSM-SHORT	SHORT
8, 12-20	888811	CONTRACTURE FOOT REST MOUNT TUBE ASSM-MED	MED
1-18A,19-29	921958	CONTRACTURE FOOT REST KIT IRIS 14 SHORT	
1-18B,19-29	921959	CONTRACTURE FOOT REST KIT IRIS 14 MED	
1-18C,19-29	921960	CONTRACTURE FOOT REST KIT IRIS 14" LONG	
1-18A,19-29	921961	CONTRACTURE FOOT REST KIT IRIS 15 SHORT	
1-18B,19-29	921962	CONTRACTURE FOOT REST KIT IRIS 15 MED	
1-18C,19-29	921963	CONTRACTURE FOOT REST KIT IRIS 15" LONG	
1-18A,19-29	921964	CONTRACTURE FOOT REST KIT IRIS 16 SHORT	
1-18B,19-29	921965	CONTRACTURE FOOT REST KIT IRIS 16 MED	
1-18C,19-29	921966	CONTRACTURE FOOT REST KIT IRIS 16" LONG	
1-18A,19-29	921967	CONTRACTURE FOOT REST KIT IRIS 17 SHORT	
1-18B,19-29	921968	CONTRACTURE FOOT REST KIT IRIS 17 MED	
1-18C,19-29	921969	CONTRACTURE FOOT REST KIT IRIS 17" LONG	

Pos.	Item Number	Description	Remarks
1-18A,19-29	921970	CONTRACTURE FOOT REST KIT IRIS 18 SHORT	
1-18B,19-29	921971	CONTRACTURE FOOT REST KIT IRIS 18 MED	
1-18C,19-29	921972	CONTRACTURE FOOT REST KIT IRIS 18" LONG	
1-18A,19-29	921973	CONTRACTURE FOOT REST KIT IRIS 19 SHORT	
1-18B,19-29	921974	CONTRACTURE FOOT REST KIT IRIS 19 MED	
1-18C,19-29	921975	CONTRACTURE FOOT REST KIT IRIS 19" LONG	
1-18A,19-29	921976	CONTRACTURE FOOT REST KIT IRIS 20 SHORT	
1-18B,19-29	921977	CONTRACTURE FOOT REST KIT IRIS 20 MED	
1-18C,19-29	921978	CONTRACTURE FOOT REST KIT IRIS 20" LONG	
1-18A,19-29	921979	CONTRACTURE FOOT REST KIT IRIS 21 SHORT	
1-18B,19-29	921984	CONTRACTURE FOOT REST KIT IRIS 21 MED	
1-18C,19-29	921985	CONTRACTURE FOOT REST KIT IRIS 21" LONG	
1-18A,19-29	921986	CONTRACTURE FOOT REST KIT IRIS 22 SHORT	
1-18B,19-29	921987	CONTRACTURE FOOT REST KIT IRIS 22 MED	
1-18C,19-29	921988	CONTRACTURE FOOT REST KIT IRIS 22" LONG	

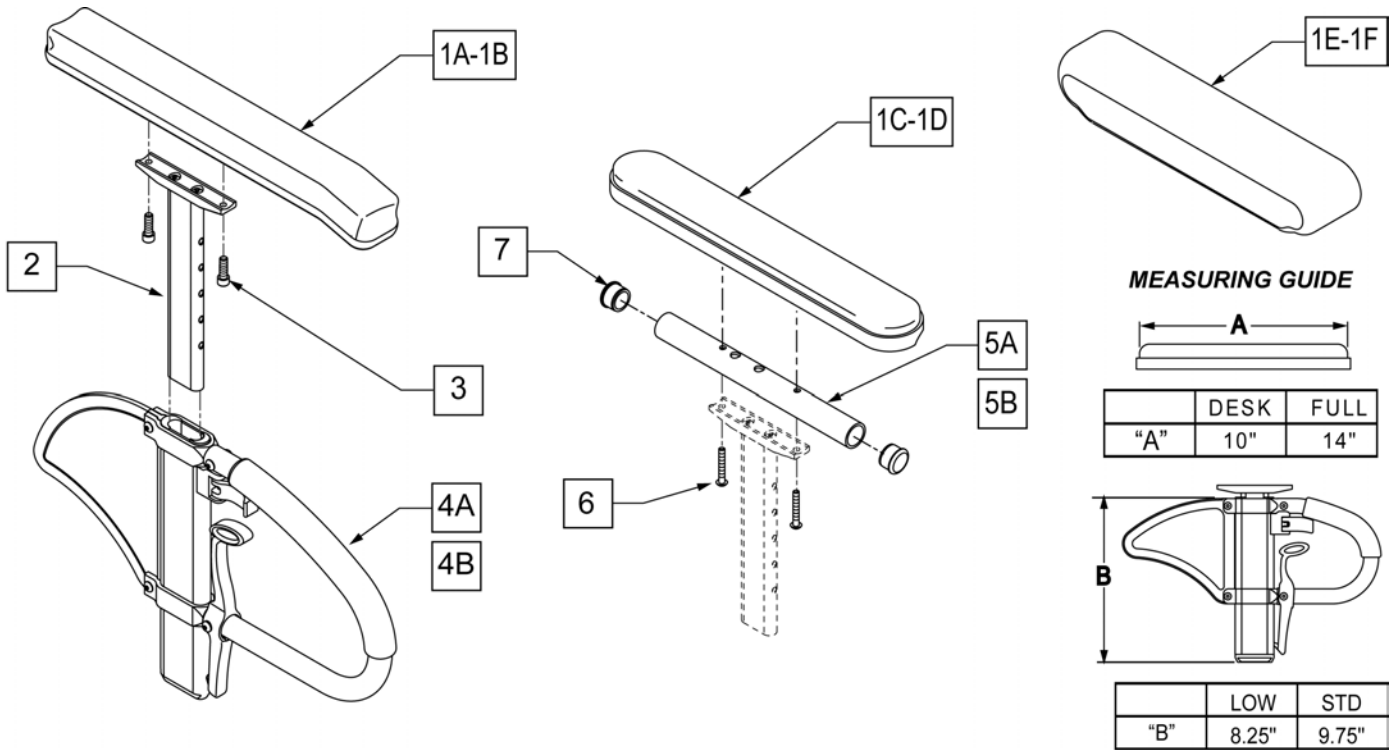


Pos.	Item Number	Description	Remarks
1	112807	LATCH STUD SUPPORT R MULTIPOS	Single
1	112808	LATCH STUD SUPPORT L MULTIPOS	Single
1	112809	LATCH STUD SUPPORT PR MULTIPOS	Pair



Pos.	Item Number	Description	Remarks
1A	561024	ARMREST PAD 10" DESK	DESK PAD
1B	561031	ARMREST PAD 14" FULL	FULL PAD
1C	561280	ARMREST PAD 10" L W/F	LEFT - DESK WATERFALL PAD
1C	561281	ARMREST PAD 10" R W/F	RIGHT - DESK WATERFALL PAD
1D	561284	ARMREST PAD 14" L W/F	LEFT - FULL WATERFALL PAD
1D	561285	ARMREST PAD 14" R W/F	RIGHT - FULL WATERFALL PAD
2	226038	10-32 x 1 3/8 BH C/S BLK	
4A	560610	5" x .705 x .125 FOAM TUBE	ADULT
4B	560627	7-1/2" x .705 x .125 FOAM TUBE	PEDS/KIDS
5A	882084	HT ADJ LOWER DC ARM ASSM STD R	RIGHT - STANDARD/ADULT
5A	882085	HT ADJ LOWER DC ARM ASSM STD L	LEFT - STANDARD/ADULT
5B	882082	HT ADJ LOWER DC ARM ASM KIDS R	RIGHT - KIDS
5B	882083	HT ADJ LOWER DC ARM ASM KIDS L	LEFT - KIDS
5C	882080	HT ADJ LOWER ARM ASSM PE D R	RIGHT - PEDIATRIC
5C	882081	HT ADJ LOWER ARM ASSM PE D L	LEFT - PEDIATRIC
6	321721	LEVER RETURN SPRING	
7	562825	RELEASE LEVER INNER SLEEVE	
8	281045	#6 x 1/4 PAN PHIL S/M/S	

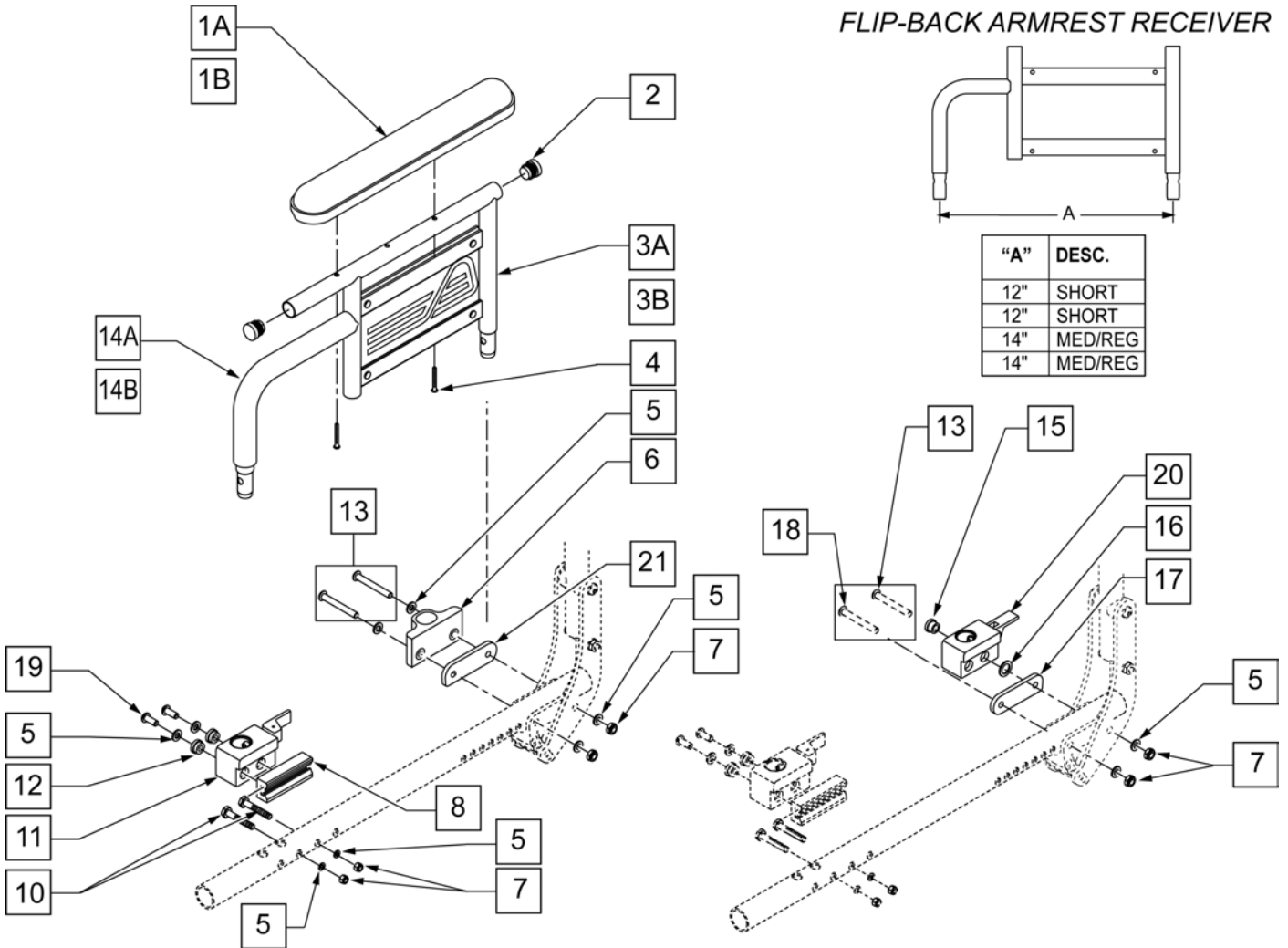
Pos.	Item Number	Description	Remarks
9A	888000	HT ADJ REC REL LEVER ASSM STD	ADULT
9B	888001	HT ADJ REC REL LEVER ASSM KIDS	KIDS
9C	888002	HT ADJ REC REL LEVER ASSM PEDS	PEDS
10	888003	HT ADJ UPPER ARM REL ASSM R	RIGHT
10	888004	HT ADJ UPPER ARM REL ASSM L	LEFT
>>>>		ADULT UPPER ASSEMBLIES	
1A-3A	880192	HT ADJ UPPER ARM ASSM DESK R	RIGHT - ADULT DESK PAD
1A-3A	880198	HT ADJ UPPER ARM ASSM DESK L	LEFT - ADULT DESK PAD
1B-3A	880193	HT ADJ UPPER ARM ASSM FL R	RIGHT - ADULT FULL PAD
1B-3A	880199	HT ADJ UPPER ARM ASSM FL L	LEFT - ADULT FULL PAD
>>>>		ADULT UPPER ASSEMBLIES	
1C-3A	881230	HT ADJ UPPER L ARM ASSM DESK W/F	RIGHT - ADULT DESK WATER FALL PAD
1C-3A	881231	HT ADJ UPPER R ARM ASSM DESK W/F	LEFT - ADULT DESK WATER FALL PAD
1D-3A	881232	HT ADJ UPPER L ARM ASSM FL W/F	RIGHT - ADULT FULL WATER FALL PAD
1D-3A	881233	HT ADJ UPPER R ARM ASSM FL W/F	LEFT - ADULT FULL WATER FALL PAD
>>>>		PEDIATRIC AND KIDS UPPER ASSEMBLIES	
1A-3B	880174	HT ADJ UPPER ARM PED PWR DESK R	RIGHT - PED/KIDS DESK PAD
1A-3B	880175	HT ADJ UPPER ARM PED PWR DESK L	LEFT - PED/KIDS DESK PAD
1B-3B	880176	HT ADJ UPPER ARM PED PWR FULL R	RIGHT - PED/KIDS FULL PAD
1B-3B	880177	HT ADJ UPPER ARM PED PWR FULL L	LEFT - PED/KIDS FULL PAD
>>>>		PEDIATRIC AND KIDS UPPER ASSEMBLIES	
1C-3B	888341	HT ADJ PED UPPER R ARM ASSM D WF	RIGHT - PED/KIDS DESK WATER FALL PAD
1C-3B	888342	HT ADJ PED UPPER L ARM ASSM D WF	LEFT - PED/KIDS DESK WATER FALL PAD
1D-3B	888343	HT ADJ PED UPPER R ARM ASSM F WF	RIGHT - PED/KIDS FULL WATER FALL PAD
1D-3B	888344	HT ADJ PED UPPER L ARM ASSM F WF	LEFT - PED/KIDS FULL WATER FALL PAD
>>>>		COMPLETE ADULT ARMREST ASSEMBLY	
1A-3A-5A	880210	HT ADJ STD R W/DESK ARM PAD	RIGHT - ADULT - DESK PAD
1A-3A-5A	880211	HT ADJ STD L W/DESK ARM PAD	LEFT - ADULT - DESK PAD
1B-3A-5A	880212	HT ADJ STD R W/FULL ARM PAD	RIGHT - ADULT - FULL PAD
1B-3A-5A	880213	HT ADJ STD L W/FULL ARM PAD	LEFT - ADULT - FULL PAD
1C-3A-5A	881301	HT ADJ STD R W/DESK W/F PAD	RIGHT - ADULT - WATERFALL DESK PAD
1C-3A-5A	881300	HT ADJ STD L W/DESK W/F PAD	LEFT - ADULT - WATERFALL DESK PAD
1D-3A-5A	881305	HT ADJ STD R W/FULL W/F PAD	RIGHT - ADULT - WATERFALL FULL PAD
1D-3A-5A	881304	HT ADJ STD L W/FULL W/F PAD	LEFT - ADULT - WATERFALL FULL PAD
>>>>		COMPLETE KIDS ARMREST ASSEMBLY	
1A-3B-5B	880214	HT ADJ KIDS R W/DESK ARM PAD	RIGHT - KIDS - DESK PAD
1A-3B-5B	880215	HT ADJ KIDS L W/DESK ARM PAD	LEFT - KIDS - DESK PAD
1B-3B-5B	880216	HT ADJ KIDS R W/FULL ARM PAD	RIGHT - KIDS - FULL PAD
1B-3B-5B	880217	HT ADJ KIDS L W/FULL ARM PAD	LEFT - KIDS - FULL PAD
1C-3B-5B	881303	HT ADJ KIDS R W/DESK W/F PAD	RIGHT - KIDS - WATERFALL DESK PAD
1C-3B-5B	881302	HT ADJ KIDS L W/DESK W/F PAD	LEFT - KIDS - WATERFALL DESK PAD
1D-3B-5B	881307	HT ADJ KIDS R W/FULL W/F PAD	RIGHT - KIDS - WATERFALL FULL PAD
1D-3B-5B	881306	HT ADJ KIDS L W/FULL W/F PAD	LEFT - KIDS - WATERFALL FULL PAD
>>>>		COMPLETE PEDIATRIC ARMREST ASSEMBLY	
1A-3B-5C	880226	HT ADJ PED R W/DESK ARM PAD	RIGHT - PEDS - DESK PAD
1A-3B-5C	880227	HT ADJ PED L W/DESK ARM PAD	LEFT - PEDS - DESK PAD
1B-3B-5C	880228	HT ADJ PED R W/FULL ARM PAD	RIGHT - PEDS - FULL PAD
1B-3B-5C	880229	HT ADJ PED L W/FULL ARM PAD	LEFT - PEDS - FULL PAD
1C-3B-5C	888345	HT ADJ PED R W/DESK W/F PAD	RIGHT - PEDS - WATERFALL DESK PAD
1C-3B-5C	888346	HT ADJ PED L W/DESK W/F PAD	LEFT - PEDS - WATERFALL DESK PAD
1D-3B-5C	888347	HT ADJ PED R W/FULL W/F PAD	RIGHT - PEDS - WATERFALL FULL PAD
1D-3B-5C	888348	HT ADJ PED L W/FULL W/F PAD	LEFT - PEDS - WATERFALL FULL PAD



Pos.	Item Number	Description	Remarks
1A	104568-001	SPHA PAD DESK	CONTOUR DESK
1B	104568-002	SPHA PAD FULL	CONTOUR FULL
1C	561024	ARMREST PAD 10" DESK	CLASSIC DESK
1D	561031	ARMREST PAD 14" FULL	CLASSIC FULL
1E	561280	ARMREST PAD 10" LEFT W/F	Leftt-Waterfall Desk
1E	561281	ARMREST PAD 10" RIGHT W/F	Rightt-Waterfall Desk
1F	561284	ARMREST PAD 14" LEFT W/F	Leftt-Waterfall Full
1F	561285	ARMREST PAD 14" RIGHT W/F	Rightt-Waterfall Full
2	116312	SNGL POST UPPR ASSM LOW	LOW/SMALL
2	116313	SNGL POST UPPR ASSM STD	STANDARD
3	106956	SHCS 10-32 X 3/4 ROHS	
2,4A	104509-001	SPHA ARMREST ASSY STD	STANDARD
2,4B	104509-002	SPHA ARMREST ASSY LOW	LOW/SMALL
5A	521812	HT ADJ PD TUBE 10IN DESK POWE	Desk
5B	521813	HT ADJ PD TUBE 14IN FULL POWE	Full
6	107024	BHCS 10-32 X 1 1/2 ROHS	
7	560735	7/8" ROUND TUBE PLUG	
1C-4A-5A,6,7	108599	SPHA STD CLASIC DESK PAD R	Right
1C-4A-5A,6,7	108603	SPHA STD CLASIC DESK PAD L	Left
1D-4A-5B-7	108601	SPHA STD CLASIC FULL PAD R	Right
1D-4A-5B-7	108605	SPHA STD CLASIC FULL PAD L	Left
1A-4A	108595	SPHA STD CNTUR DESK PAD	
1B-4A	108597	SPHA STD CNTUR FULL PAD	
1C-4B-5A,6,7	108600	SPHA LOW CLASIC DESK PAD R	Right
1C-4B-5A,6,7	108604	SPHA LOW CLASIC DESK PAD L	Left
1D-4B-5B-7	108602	SPHA LOW CLASIC FULL PAD R	Right
1D-4B-5B-7	108606	SPHA LOW CLASIC FULL PAD L	Left
1A-4B	108596	SPHA LOW CNTUR DESK PAD	

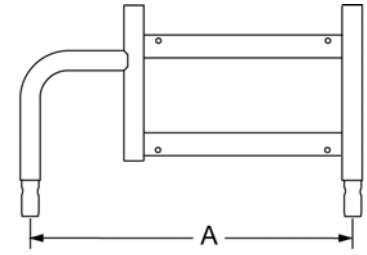
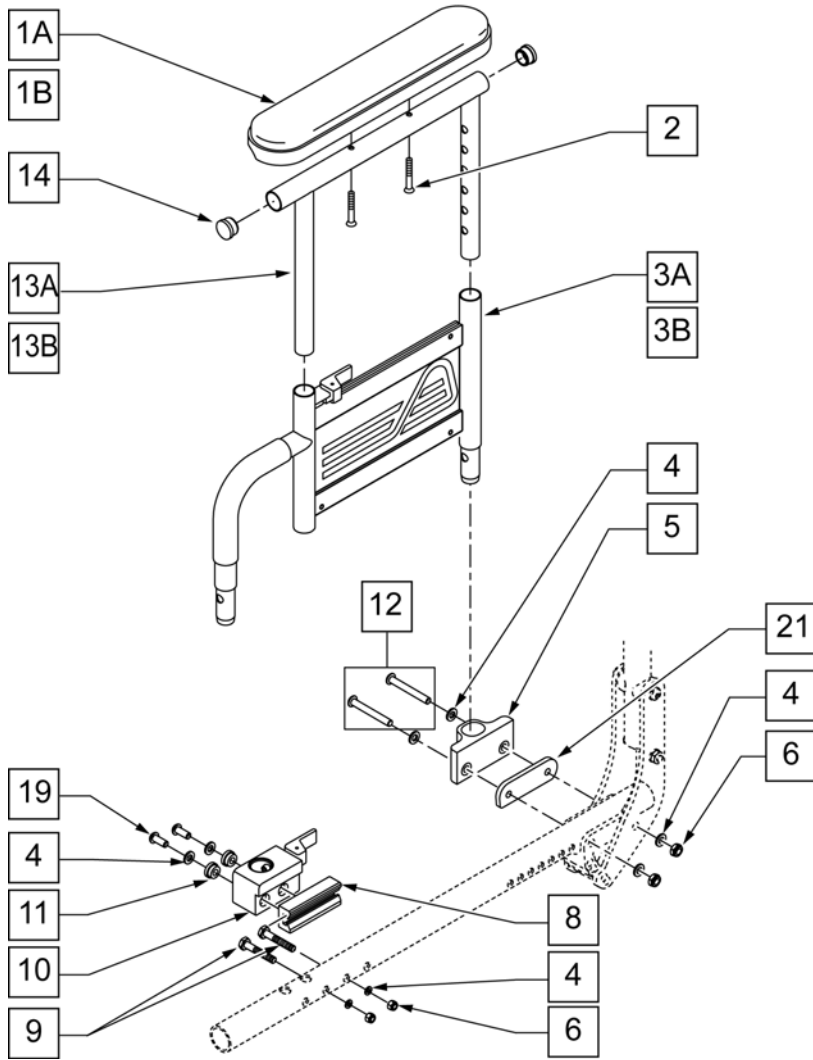
Pos.	Item Number	Description	Remarks
1B-4B	108598	SPHA LOW CNTUR FULL PAD	

FLIP-BACK ARMREST RECEIVER



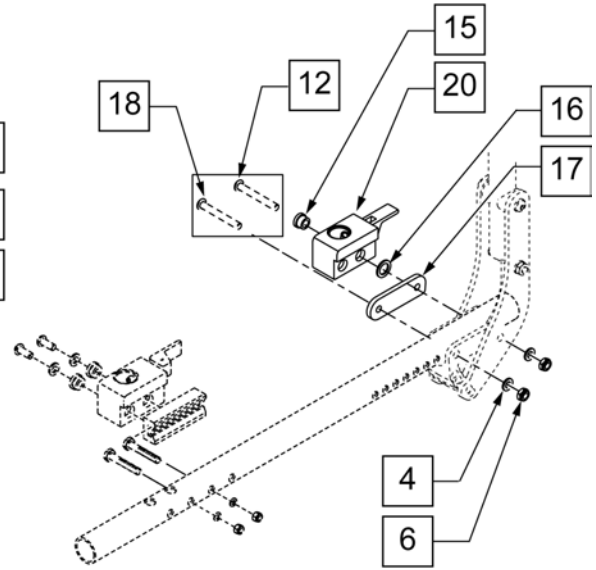
Pos.	Item Number	Description	Remarks
1A	561024	ARMREST PAD 10" DESK	
1B	561031	ARMREST PAD 14" FULL	
2	560735	7/8" ROUND TUBE PLUG	
4	107023	BHCS 10-32 x 1 3/8 ROHS	
5	106943	WASHER FLAT AN 1/4 ROHS	
6	552190	RECEIVER ARMREST DUAL POST REAR FIXED	
7	106935	NUT NYLOCK THIN 1/4 -28 ROHS	
8	506137	ADAPTER FR UNI RECEIVER 1.0 OFFSET	
10	106972	HHCS 1/4 -28 x 1 1/2 ROHS	
11	506366	UNIVERSAL ARMREST RECEIVER ASSM RH	RIGHT-FRONT
11	506367	UNIVERSAL ARMREST RECEIVER ASSM LH	LEFT -FRONT
12	340143	BUSHING .257 ID x .25 LG SST	
13	106967	BHCS 1/4 -28 x 2 1/2 SHLDR ROHS	
14A	560514	FOAM 8" x .840 TUBE	MEDIUM
14B	560515	FOAM 6" x .840 TUBE	SHORT
15	340144	BUSHING STEEL .257 ID x .346 LG SST	
16	561273	1/2 x 3/4 x .060 NYLON WASHER	
17	506140	BACKREST PIVOT ARMREST RECEIVER	
18	106966	BHCS 1/4 -28 x 2 1/4 SHLDR ROHS	

Pos.	Item Number	Description	Remarks
19	226313	BHCS 1/4 -28 x 5/8 SHLDR ROHS	
20	506368	UNIVERSAL ARMREST RECEIVER ASSM RV	RIGHT-REAR
20	506369	UNIVERSAL ARMREST RECEIVER ASSM LV	LEFT -REAR
21	506140	ADAPTER PVT DP UNIV ARMREST IRIS	FITS CHAIRS W/ SN# Prefix CGT Only.
5,7,8,10-12,19	506408	UNIVERSAL DP ARM REC ASSM RFH QTS/IR	RIGHT
5,7,8,10-12,19	506409	UNIVERSAL DP ARM REC ASSM LFH QTS/IR	LEFT
5,7,8,10-12,19,21	920598	DP/DP HEIGHT ADJ ARM RECEIVER KIT	FITS CHAIRS W/ SN# Prefix CGT Only. Left & Rt
1A,2,3A,4	881616	DUAL POST ARM W/ DESK QTS SHORT R	DESK R SHORT
1A,2,3A,4	881617	DUAL POST ARM W/ DESK QTS SHORT L	DESK L SHORT
1B,2,3A,4	881618	DUAL POST ARM W/ FULL QTS SHORT R	FULL R SHORT
1B,2,3A,4	881619	DUAL POST ARM W/ FULL QTS SHORT L	FULL L SHORT
1A,2,3B,4	881580	DUAL POST ARM SHORT W/ DESK R PWR	DESK R MED
1A,2,3B,4	881581	DUAL POST ARM SHORT W/ DESK L PWR	DESK L MED
1B,2,3B,4	881582	DUAL POST ARM SHORT W/ FULL R PWR	FULL R MED
1B,2,3B,4	881583	DUAL POST ARM SHORT W/ FULL L PWR	FULL L MED
5,7,15-17,20	506410	UNIV DP ARMREST RECEIVER ASSM RRV IRIS	RIGHT-REAR
5,7,15-17,20	506411	UNIV DP ARMREST RECEIVER ASSM LRV IRIS	LEFT -REAR
5,7,8,10-12,15-17,20	920599	DP FB/DPST FB HA ARM RECEIVER KIT	FLIP BACK ARM REC. KIT (Includes Frt & Rear Rec's)



ASSEMBLY PART NO.	"A"	DESC.
881686	12"	SHORT
881687	12"	SHORT
881556	14"	MED/REG
881557	14"	MED/REG

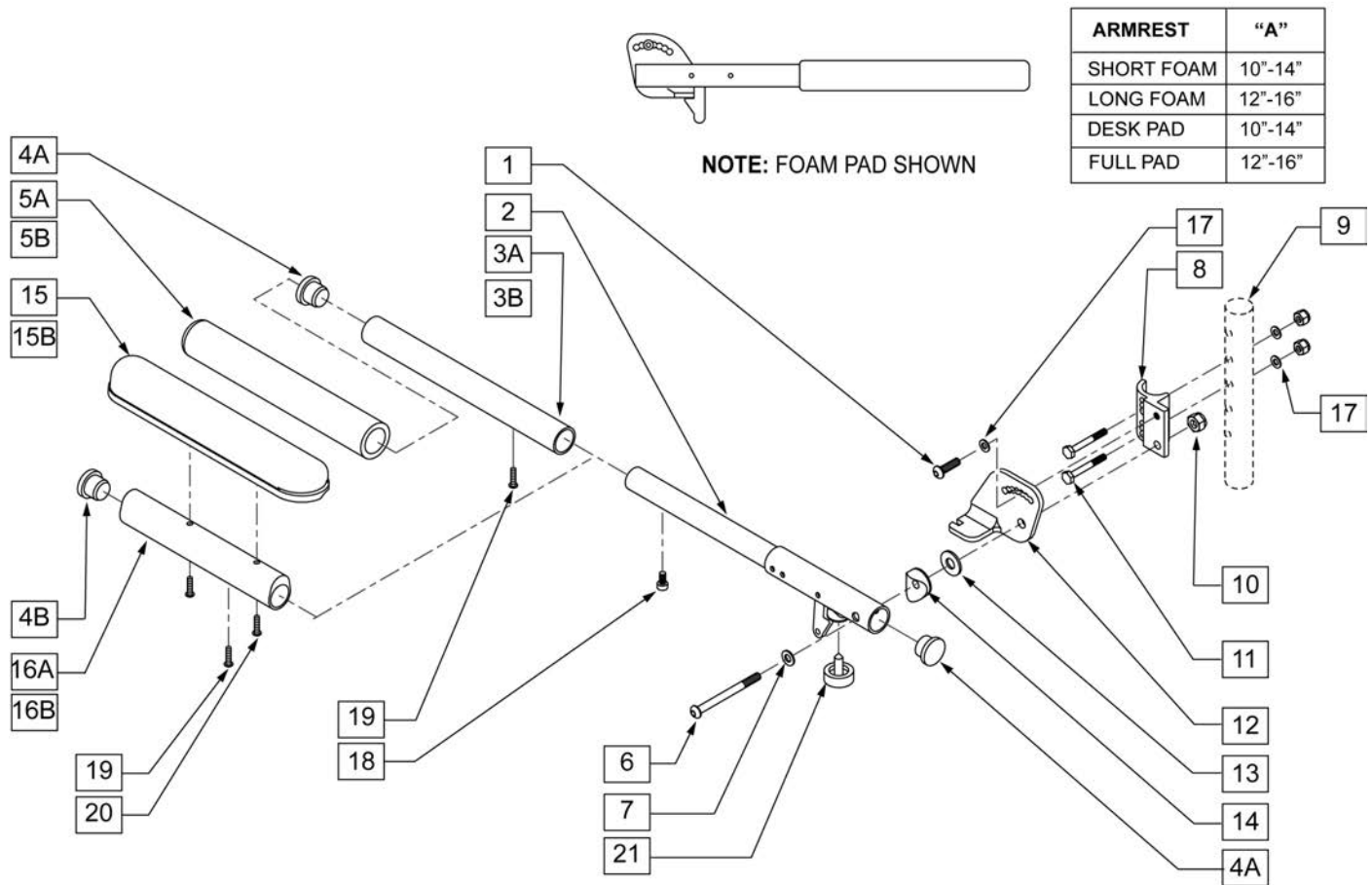
FLIP-BACK ARMREST RECEIVER



Pos.	Item Number	Description	Remarks
1A	561024	ARMREST PAD 10" DESK	
1B	561031	ARMREST PAD 14" FULL	
2	107023	BHCS 10-32 x 1 3/8 ROHS	
3A	881686	DUAL POST ADJ LOWER ARM R	SHORT RIGHT
3A	881687	DUAL POST ADJ LOWER ARM L	SHORT LEFT
3B	881556	ARM ASSM LOWER HT ADJ REGULAR R	REG/MED RIGHT
3B	881557	ARM ASSM LOWER HT ADJ REGULAR L	REG/MED LEFT
4	106943	WASHER FLAT AN 1/4 ROHS	
5	552190	RECEIVER ARMREST DUAL POST REAR FIXED	
6	106935	NUT NYLOCK THIN 1/4 -28 ROHS	
8	506137	ADAPTER FR UNI RECEIVER 1.0 OFFSET	
9	106972	HHCS 1/4 -28 x 1 1/2 ROHS	
10	506366	UNIVERSAL ARMREST RECEIVER ASSM RH	RIGHT-FRONT
10	506367	UNIVERSAL ARMREST RECEIVER ASSM LH	LEFT -FRONT
11	340143	BUSHING .257 ID x .25 LG SST	
12	106967	BHCS 1/4 -28 x 2 1/2 SHLDR ROHS	
13A	521841	DUAL POST ADJ UPPER ARM DESK	

Pos.	Item Number	Description	Remarks
13B	521843	DUAL POST ADJ UPPER ARM FULL	
14	560735	7/8" ROUND TUBE PLUG	
15	340144	BUSHING STEEL .257 ID x .346 LG SST	
16	561273	1/2 x 3/4 x .060 NYLON WASHER	
17	506140	BACKREST PIVOT ARMREST RECEIVER	
18	106966	BHCS 1/4 -28 x 2 1/4 SHOULDER ROHS	
19	226313	BHCS 1/4 -28 x 5/8 PL ROHS	
20	506368	UNIVERSAL ARMREST RECEIVER ASSM RV	RIGHT-REAR
20	506369	UNIVERSAL ARMREST RECEIVER ASSM LV	LEFT -REAR
21	506140	ADAPTER PVT DP UNIV ARMREST IRIS	FITS CHAIRS W/ SN# Prefix CGT Only.
4,6,8-11,19	506408	UNIVERSAL DP ARM REC ASSM RFH QTS/IR	RIGHT-FRONT
4,6,8-11,19	506409	UNIVERSAL DP ARM REC ASSM LFH QTS/IR	LEFT -FRONT
4,6,8-11,19	920598	DP/DP HEIGHT ADJ ARM RECEIVER KIT	FITS CHAIRS W/ SN# Prefix CGT Only.
1A,2,14,13A	881446	DUAL POST UHA ARMREST RH INC DESK	DESK RIGHT
1A,2,14,13A	881447	DUAL POST UHA ARMREST LH INC DESK	DESK LEFT
1B,2,14,13B	881448	DUAL POST UHA ARMREST RH INC FULL	FULL RIGHT
1B,2,14,13B	881449	DUAL POST UHA ARMREST LH INC FULL	FULL LEFT
4,6,15,16,17,20	506410	UNIV DP ARMREST RECEIVER ASSM RRV IRIS	RIGHT-REAR
4,6,15,16,17,20	506411	UNIV DP ARMREST RECEIVER ASSM LRV IRIS	LEFT -REAR
4,6,8-11,15-17,19,20	920599	DP FB/DPST FB HA ARM RECEIVER KIT	FLIP BACK ARM REC. KIT (Includes Frt & Rear Rec's)
1A,2,3A,13A,14	881682	DUAL POST ADJ ARM W/DESK QTS R	RIGHT - DESK LENGTH PAD - SHORT ARM LENGTH
1A,2,3A,13A,14	881683	DUAL POST ADJ ARM W/DESK QTS L	LEFT - DESK LENGTH PAD - SHORT ARM LENGTH
1B,2,3A,13B,14	881684	DUAL POST ADJ ARM W/FULL QTS R	RIGHT - FULL LENGTH PAD - SHORT ARM LENGTH
1B,2,3A,13B,14	881685	DUAL POST ADJ ARM W/FULL QTS L	LEFT - FULL LENGTH PAD - SHORT ARM LENGTH
1A,2,3B,13A,14	881560	DUAL POST ADJ ARM SHT W/DESK R	RIGHT - DESK LENGTH PAD - REG/MED ARM LENGTH
1A,2,3B,13A,14	881561	DUAL POST ADJ ARM SHT W/DESK L	LEFT - DESK LENGTH PAD - REG/MED ARM LENGTH
1B,2,3B,13B,14	881566	DUAL POST ADJ ARM SHT W/FULL R	RIGHT - FULL LENGTH PAD - REG/MED ARM LENGTH
1B,2,3B,13B,14	881567	DUAL POST ADJ ARM SHT W/FULL L	LEFT - FULL LENGTH PAD - REG/MED ARM LENGTH

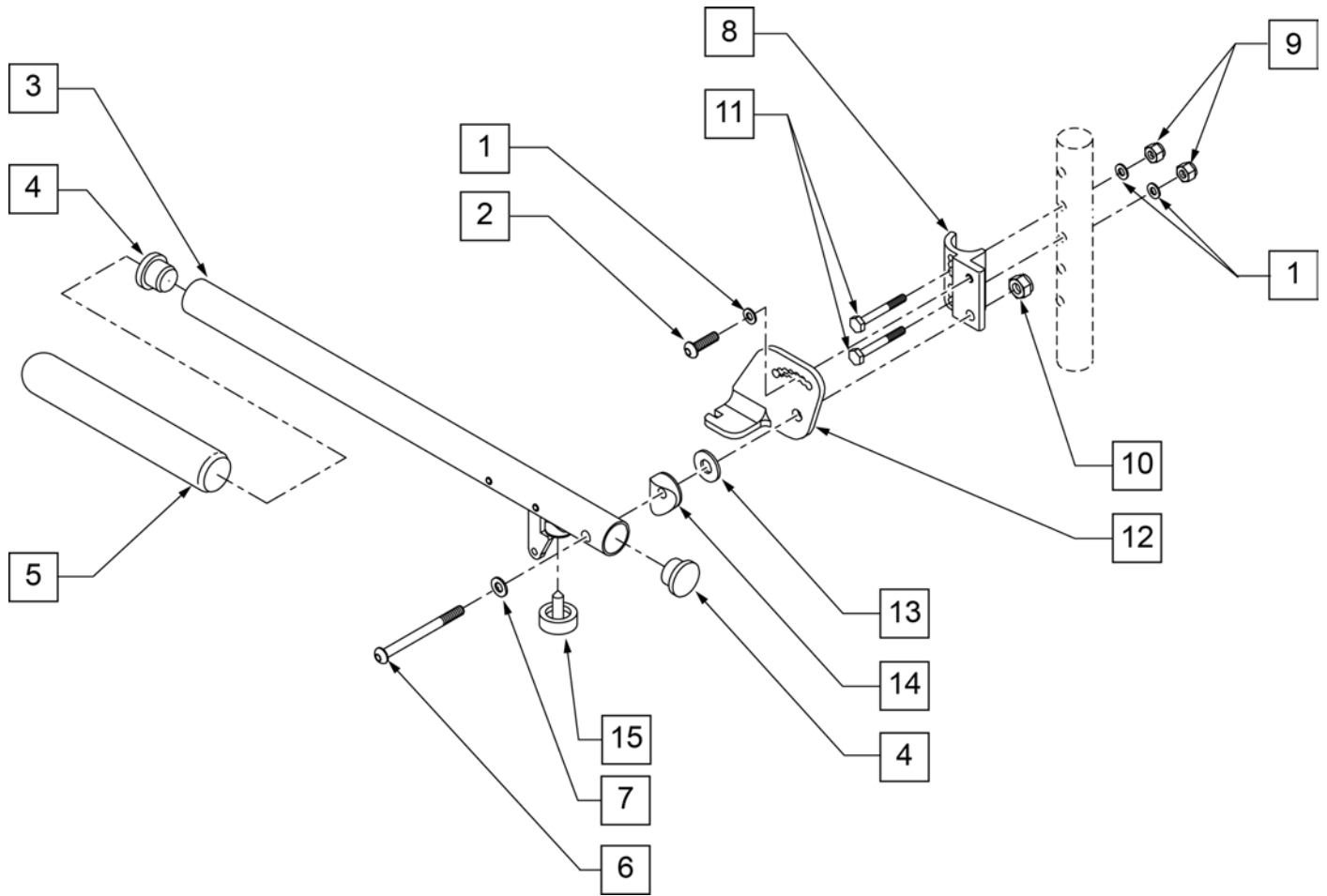
NOTE: FOR ARMRESTS PRIOR TO 7/22/96 USE RETRO FIT KIT TO REPLACE ADJUSTABLE FLIP-UP ARM CLAMP.



Pos.	Item Number	Description	Remarks
1	107025	BHCS 1/4-28 x 1/2 ROHS	
4A	561002	1" INSERT PLUG .083	
4B	561062	1" INSERT PLUG .065	
5A	560299	7 x .940 x .20 FOAM GRIP	SHORT PAD
5B	560640	9" X .93" X .155" FOAM GRIP	LONG PAD
6	106983	BHCS 5/16-18 x 2 SHLDR ROHS	
7	106947	WASHER FLAT THIN AN 5/16 ROHS	
8	550168	ADJUSTABLE LOCK FLIP-UP ARM MOUNT	RIGHT
8	550169	ADJUSTABLE LOCK FLIP-UP ARM MOUNT	LEFT
9	106935	NYLOCK NUT THIN 1/4 -28 ROHS	
10	202117	5/16-18 NYLOCK NUT THICK BLK	
11	106972	HHCS 1/4-28 x 1 1/2 ROHS	
12	550474	ADJUSTABLE FLIP-BACK ARM BRACKET	RIGHT
12	550475	ADJUSTABLE FLIP-BACK ARM BRACKET	LEFT
13	561016	1" WASHER 5/16" HOLE	
14	561006	1" SADDLE 5/16" HOLE	
15A	561024	ARMREST PAD 10" DESK	

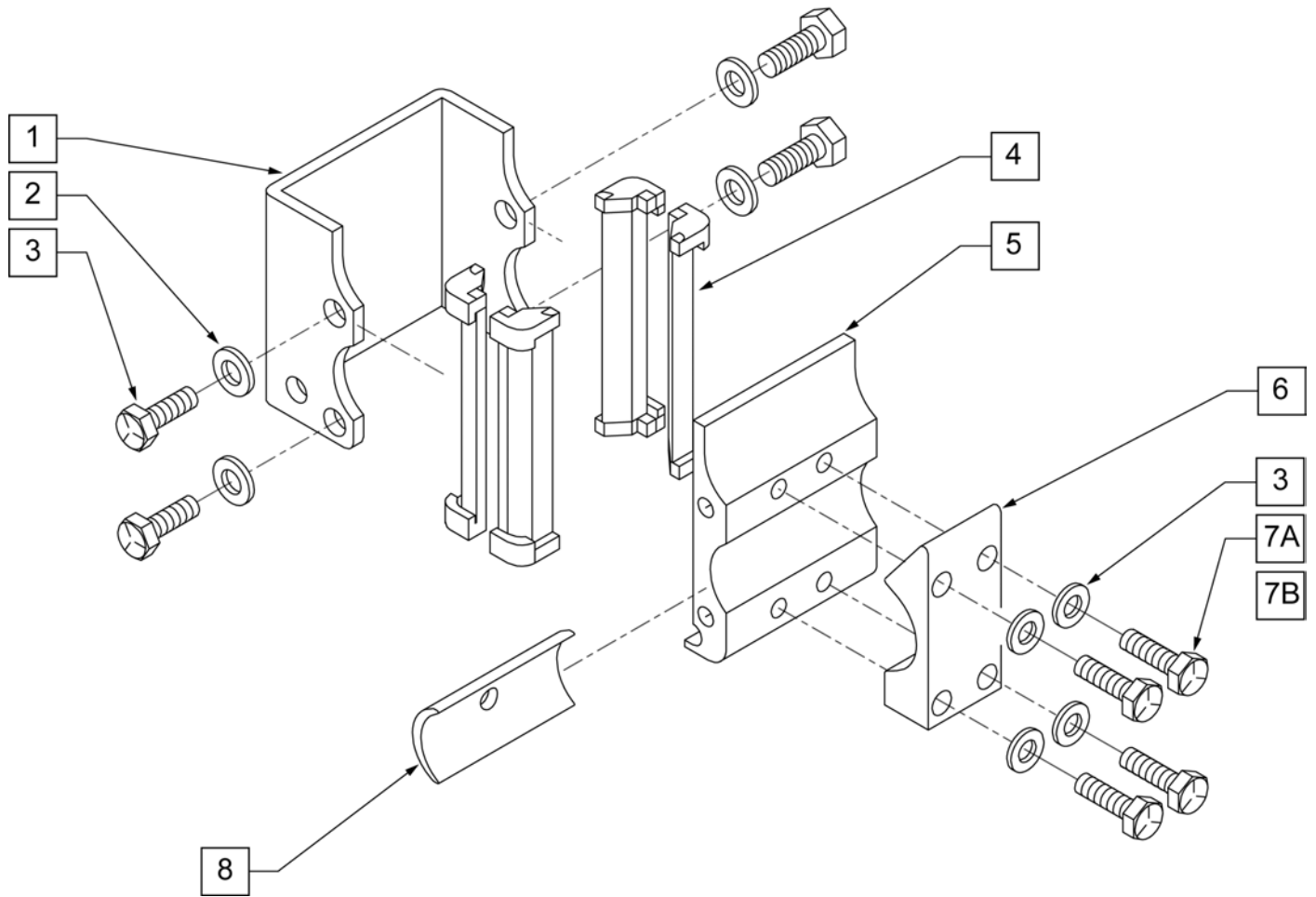
Pos.	Item Number	Description	Remarks
15B	561031	ARMREST PAD 14" FULL	
17	106943	WASHER FLAT AN 1/4 ROHS	
18	107036	SHCS 8 -32 x 3/8 ROHS	
19	225110	10-32 X 1/2" SET SCREW	
20	107022	BHCS 10-32 X 5/8 ROHS	
21	560252	1" COVED STEM BUMPER	
3B, 4A, 5B, 19	882074	FOAM PAD LONG ADJUSTABLE LENGTH	LONG PAD ASSM ONLY
3A, 4A, 5A, 19	882075	FOAM PAD LONG ADJUSTABLE LENGTH	SHORT PAD ASSM ONLY
4B,15B,16B,19,20	882070	FULL PAD ADJUSTABLE LENGTH ASSM	RIGHT FULL PAD ASSM ONLY
4B,15B,16B,19,20	882071	FULL PAD ADJUSTABLE LENGTH ASSM	LEFT FULL PAD ASSM ONLY
4B,15A,16A,19,20	882072	DESK PAD ADJUSTABLE LENGTH ASSM	RIGHT DESK PAD ASSM ONLY
4B,15A,16A,19,20	882073	DESK PAD ADJUSTABLE LENGTH ASSM	LEFT DESK PAD ASSM ONLY
1,2,6-14,17,22	882088	ADJ LENGTH LOCKING FLIP-UP ASSM R	RIGHT ARM ASSM W/O PAD
1,2,6-14,17,22	882089	ADJ LENGTH LOCKING FLIP-UP ASSM R	LEFT ARM ASSM W/O PAD
1,2,3B,4A,5B,6-14,17,19 -21	900454	ADJ LENGTH LOCKING FLIP-UP FOAM LONG	PAIR - LONG FOAM ARM ASSM
1,2,3B,4A,5B,6-14,17,19 -21	881294	ADJ LENGTH LOCKING FLIP-UP FOAM LONG	RIGHT - LONG FOAM ARM ASSM
1,2,3B,4A,5B,6-14,17,19 -21	881295	ADJ LENGTH LOCKING FLIP-UP FOAM LONG	LEFT - LONG FOAM ARM ASSM
1,2,3A,4A,5A,6-14,17,19 -21	900455	ADJ LENGTH LOCKING FLIP-UP FOAM SHORT	PAIR - SHORT FOAM ARM ASSM
1,2,3A,4A,5A,6-14,17,19 -21	881296	ADJ LENGTH LOCKING FLIP-UP FOAM SHORT	RIGHT - SHORT FOAM ARM ASSM
1,2,3A,4A,5A,6-14,17,19 -21	881297	ADJ LENGTH LOCKING FLIP-UP FOAM SHORT	LEFT - SHORT FOAM ARM ASSM
1,2,4B,6-14,15B,16B,17-21	900452	ADJ LENGTH LOCKING FLIP-UP ASSM FULL	PAIR - FULL PAD ARM ASSM
1,2,4B,6-14,15B,16B,17-21	881290	ADJ LENGTH LOCKING FLIP-UP FULL PAD	RIGHT - FULL PAD ARM ASSM
1,2,4B,6-14,15B,16B,17-21	881291	ADJ LENGTH LOCKING FLIP-UP FULL PAD	LEFT - FULL PAD ARM ASSM
1,2,4B,6-14,15A,16A,17-21	900453	ADJ LENGTH LOCKING FLIP-UP ASSM DESK	PAIR - DESK PAD ARM ASSM
1,2,4B,6-14,15A,16A,17-21	881292	ADJ LENGTH LOCKING FLIP-UP DESK PAD	RIGHT - DESK PAD ARM ASSM
1,2,4B,6-14,15A,16A,17-21	881293	ADJ LENGTH LOCKING FLIP-UP DESK PAD	LEFT - DESK PAD ARM ASSM

ADJUSTABLE LOCKING FLIP-UP ARMREST

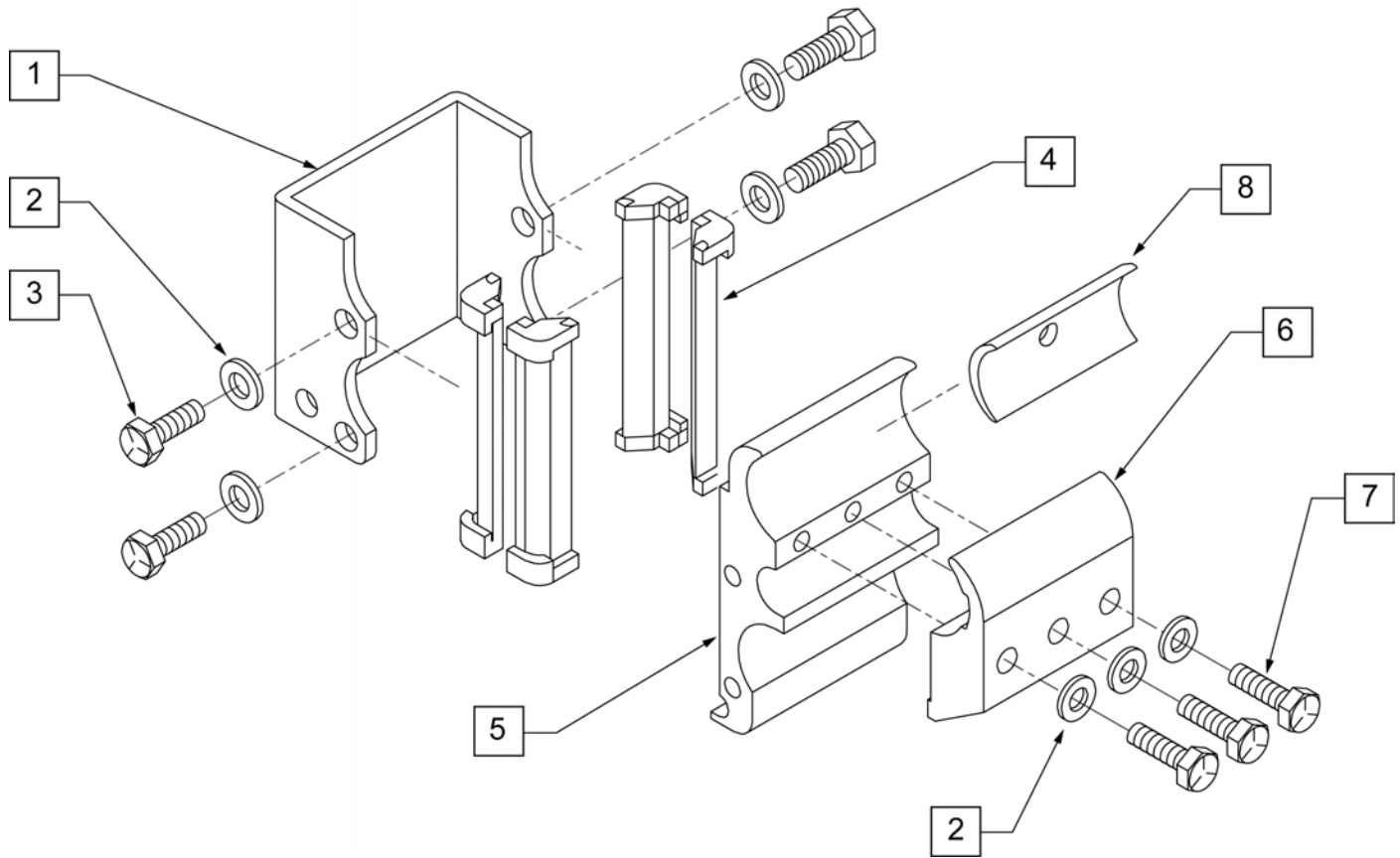


Pos.	Item Number	Description	Remarks
1	106943	1/4 AN WASHER FLAT	
2	107025	1/4-28 x 1/2 BH C/S	
4	561002	1" INSERT PLUG .083	
5	560640	9 x .93 x .155 FOAM GRIP	
6	106983	5/16-18 x 2 BH C/S SHT THREAD	
7	106947	5/16 WASHER FLAT THIN	
8	550168	ADJ LOCK FLIP-UP ARM MNT R	
8	550169	ADJ LOCK FLIP-UP ARM MNT L	
9	106935	1/4-28 NYLOCK NUT THIN	
10	202117	5/16-18 NYLOCK NUT THICK BLK	
11	106972	1/4-28 x 1 1/2 G8 HEX C/S	
12	550474	ADJ FLIP-BACK ARM BRACKET R	
12	550475	ADJ FLIP BACK ARM BRACKET L	
13	561016	1" WASHER 5/16" HOLE	
14	561006	1" SADDLE 5/16" HOLE	
15	560252	1" COVED STEM BUMPER	
3-5	880274	ADJ FLIP-BACK TUBE W/LATCH	
1,2,6,8-10	881272	ADJ LOCK F-UP ARMREST RETRO R	USE FOR ARMREST PRIOR TO 7/22/96
1,2,6,8-10	881273	ADJ LOCK F-UP ARMREST RETRO L	USE FOR ARMREST PRIOR TO 7/22/96
1-15	880272	ADJ FLIP BACK ARMREST R	
1-15	880273	ADJ FLIP BACK ARMREST L	
1-15	900449	ADJ LOCK FLIP-UP ARMREST ASSM	PAIR

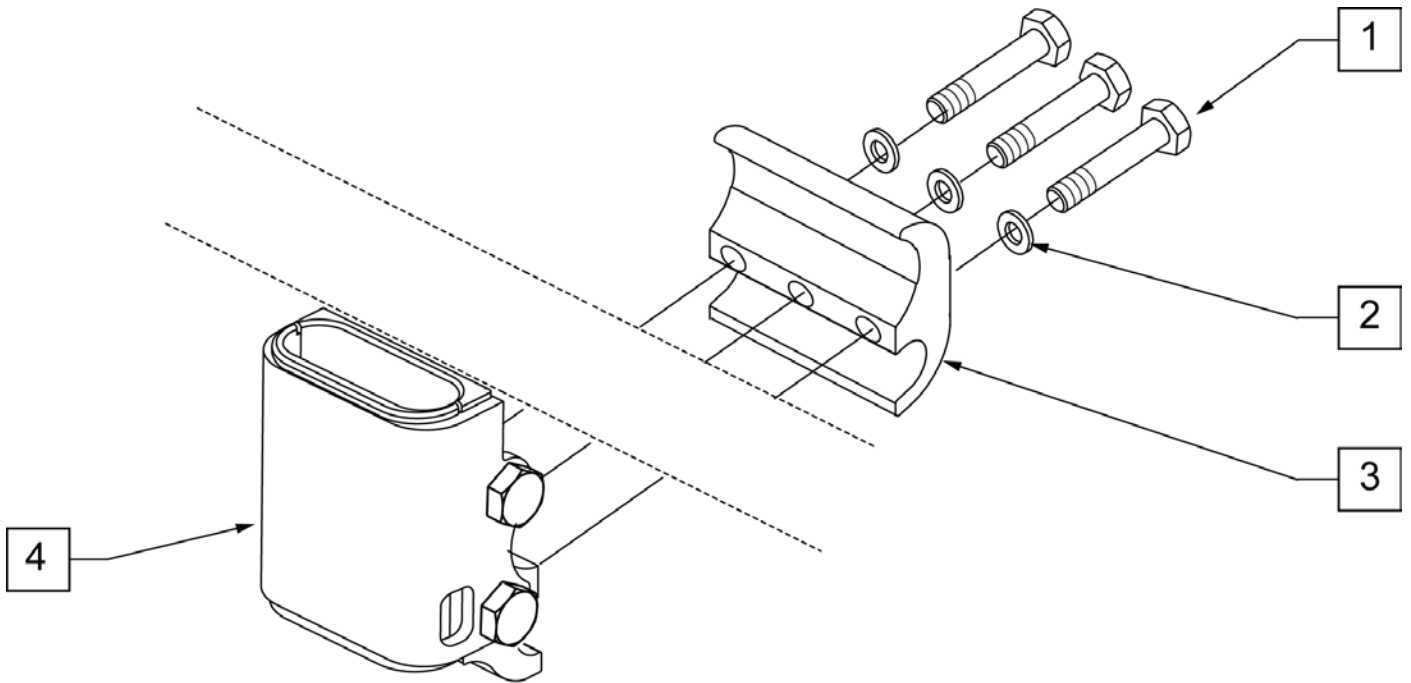
- NOTE: USED ON QUICKIE 2 CHAIRS W/ S/N PREFIX Q2..
- NOTE: USED ON ZIPPIE GS CHAIRS W/ S/N PREFIX ZGS & ZGE.
- NOTE: USED ON QUICKIE IRIS CHAIRS.
- NOTE: USED ON QUICKIE LX/LXI CHAIRS.
- NOTE: USED ON ZIPPIE Z-BOP CHAIRS.
- NOTE: USED ON ZIPPIE TS CHAIRS
- NOTE: USED ON BREEZY 600 CHAIRS.



Pos.	Item Number	Description	Remarks
1	550485	HEIGHT ADJUSTABLE RECEIVER CHANNEL	
2	221096	1/4-28 x 5/8 HEX C/S	
3	106943	1/4 AN WASHER FLAT	
4	561134	HEIGHT ADJUSTABLE RECEIVER LINER	
5	550483	HEIGHT ADJUSTABLE RECEIVER STD	
6	550490	HEIGHT ADJUSTABLE RECEIVER CLAMP 4 HOLE	
7A	106971	1/4-28 x 1 3/8 HEX C/S	
7B	106972	1/4-28 X 1 1/2 G8 HEX C/S	USE WITH RECIEVER SPACER
8	550486	HEIGHT ADJUSTABLE RECEIVER SPACER	Used to space Armrest 1/8" from frame on each side
1-5	880230	HEIGHT ADJUSTABLE RECIEVER STD W/O CLAMP	
1-7A	880240	HEIGHT ADJUSTABLE RECIEVER STD W/ CLAMP	
1-7B,8	880245	HEIGHT ADJUSTABLE RECIEVER STD W/ CLAMP AND SPACER	



Pos.	Item Number	Description	Remarks
1	550485	HEIGHT ADJUSTABLE RECEIVER CHANNEL	
2	106943	WASHER FLAT AN 1/4 ROHS	
3	221096	1/4-28 x 5/8 HEX C/S	
4	561134	HEIGHT ADJUSTABLE RECEIVER LINER	
5	550484	HEIGHT ADJUSTABLE RECEIVER LOW	
6	550491	HEIGHT ADJUSTABLE RECIEVER CLAMP LOW	
7	221133	1/4-28 x 1 1/2 G8 HEX C/S	
8	550486	HEIGHT ADJUSTABLE RECEIVER SPACER	Used to space Armrest 1/8" from frame on each side
1-5	880231	HEIGHT ADJUSTABLE RECIEVER KIDS W/O CLAMP	
1-7	880241	HEIGHT ADJUSTABLE RECIEVER KIDS W/ CLAMP	
1-8	880249	HEIGHT ADJUSTABLE RECIEVER KIDS W/ CLAMP AND SPACER	



STANDARD
RECEIVER

Pos.	Item Number	Description
1	106970	HHCS 1/4 -28 x 1 1/4 ROHS
2	106943	WASHER FLAT AN 1/4 ROHS
3	111405	CLAMP ARMREST INNER
4	112422	RECEIVER ARMREST STANDARD
1-4	118457	RECEIVER ARMREST STANDARD ASSM

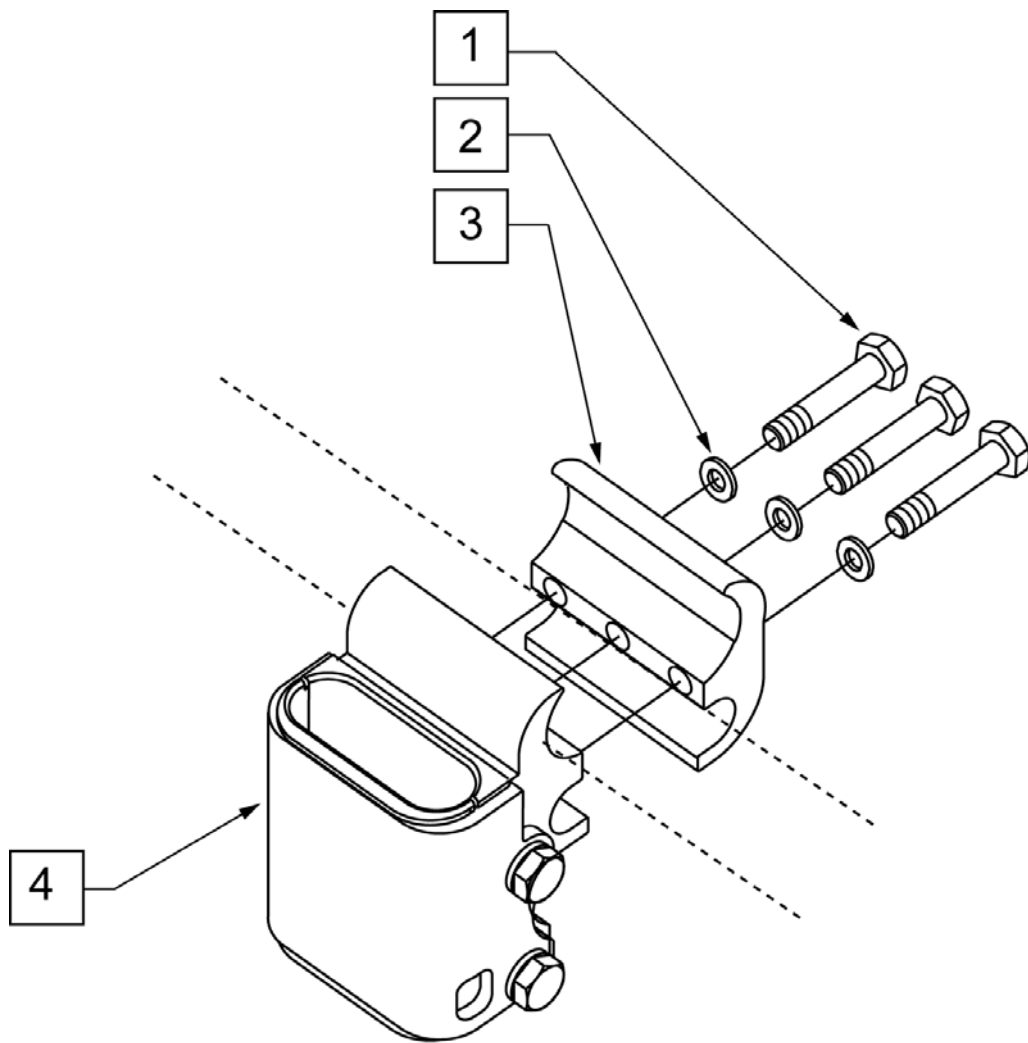
NOTE: CLAMP MOUNTS TO 1" TUBING.

NOTE: USED ON ZIPPIE IRIS CHAIRS W/ S/N PREFIX ZRS & ZRSE.

NOTE: CLAMP MOUNTS TO 1" TUBING.

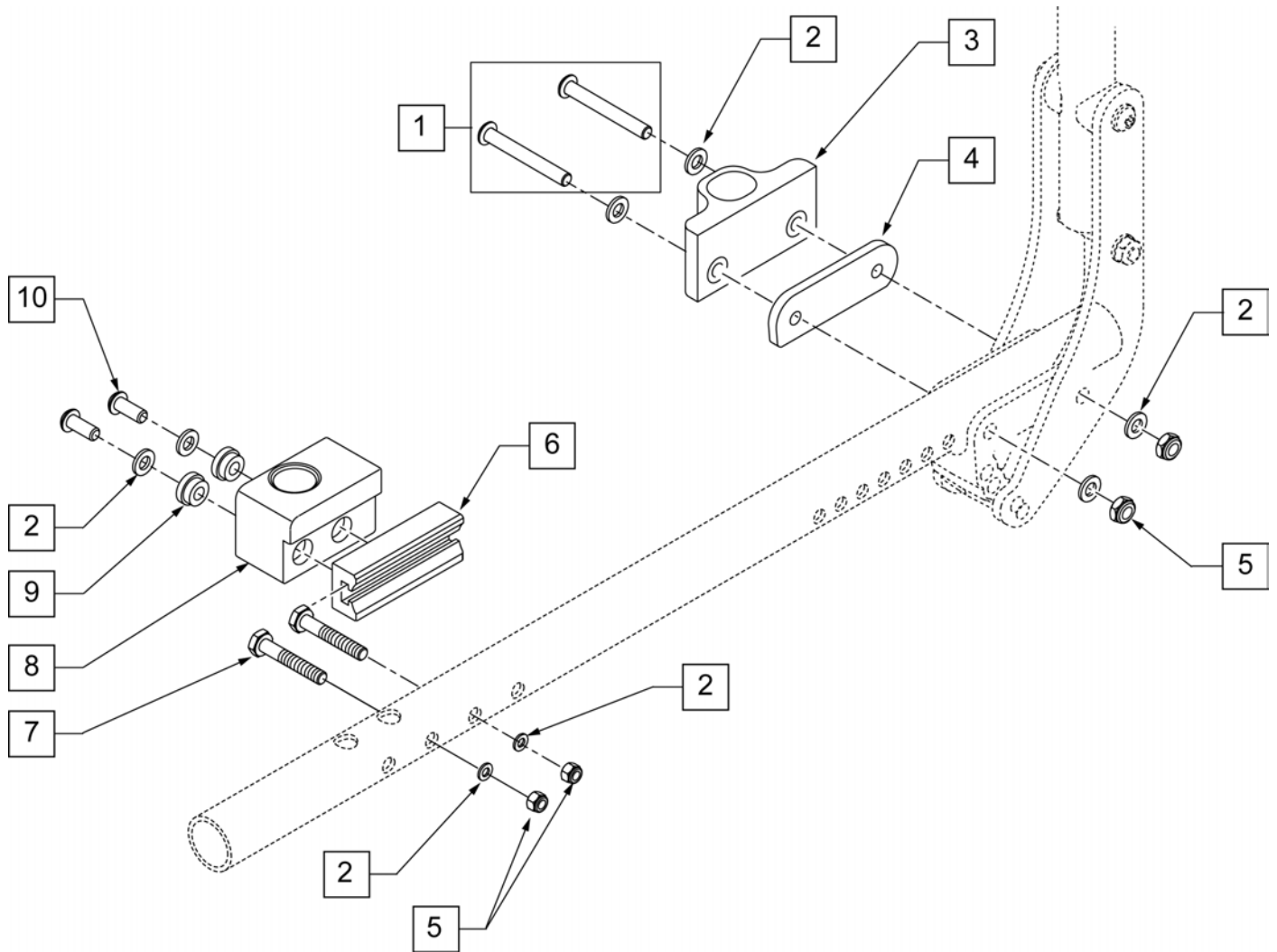
NOTE: USED ON ZIPPIE IRIS CHAIRS W/ S/N PREFIX ZRS & ZRSE.

NOTE: USED ON ZIPPIE 2 CHAIRS W/ S/N PREFIX Z2A.

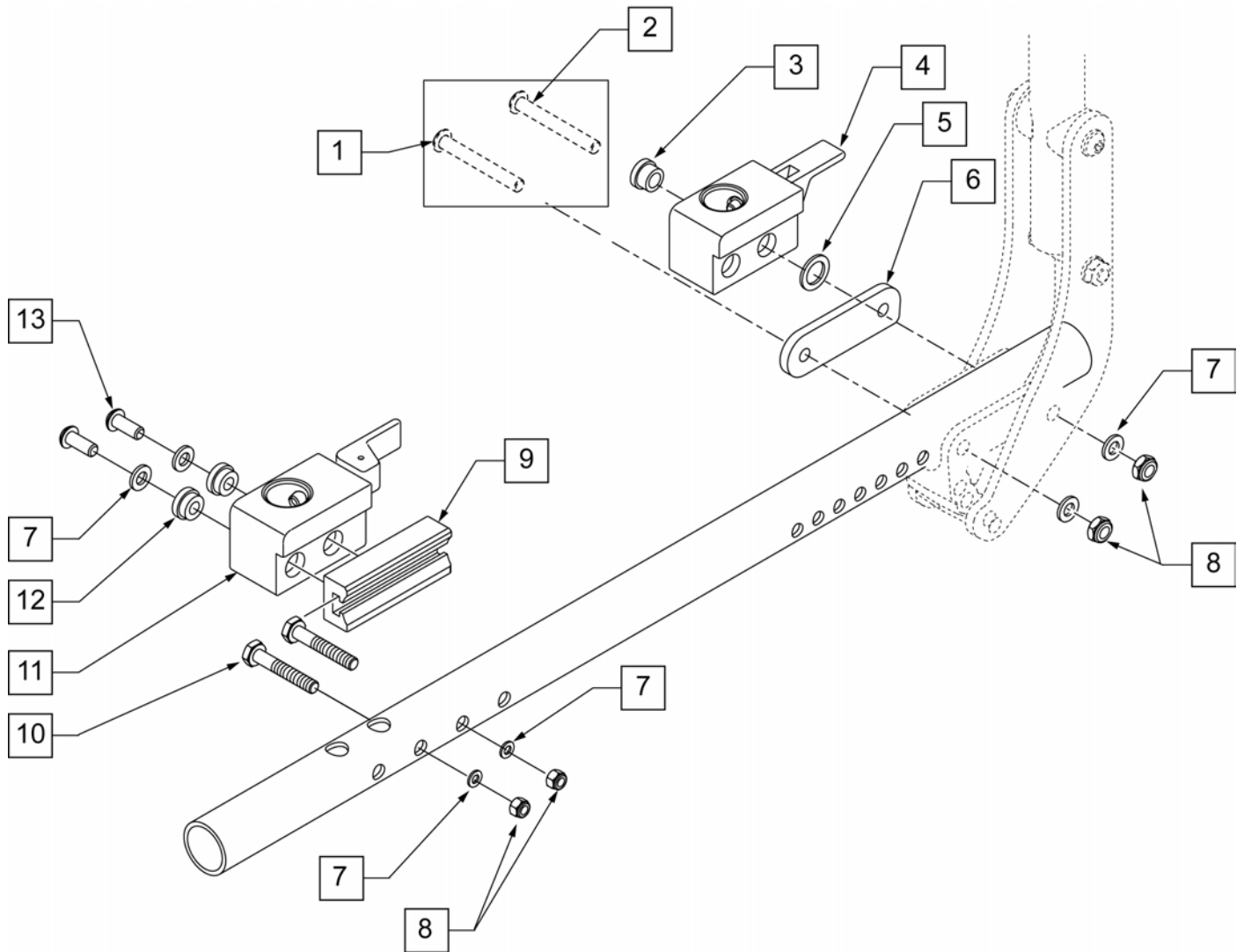


LOW
RECEIVER

Pos.	Item Number	Description
1	107360	HHCS 1/4 -28 x 1 1/4 PL ROHS
2	106943	WASHER FLAT AN 1/4 ROHS
3	111405	CLAMP ARMREST INNER
4	112423	RECEIVER ARMREST LOW
1-4	118458	REC ARMREST LOW ASSM



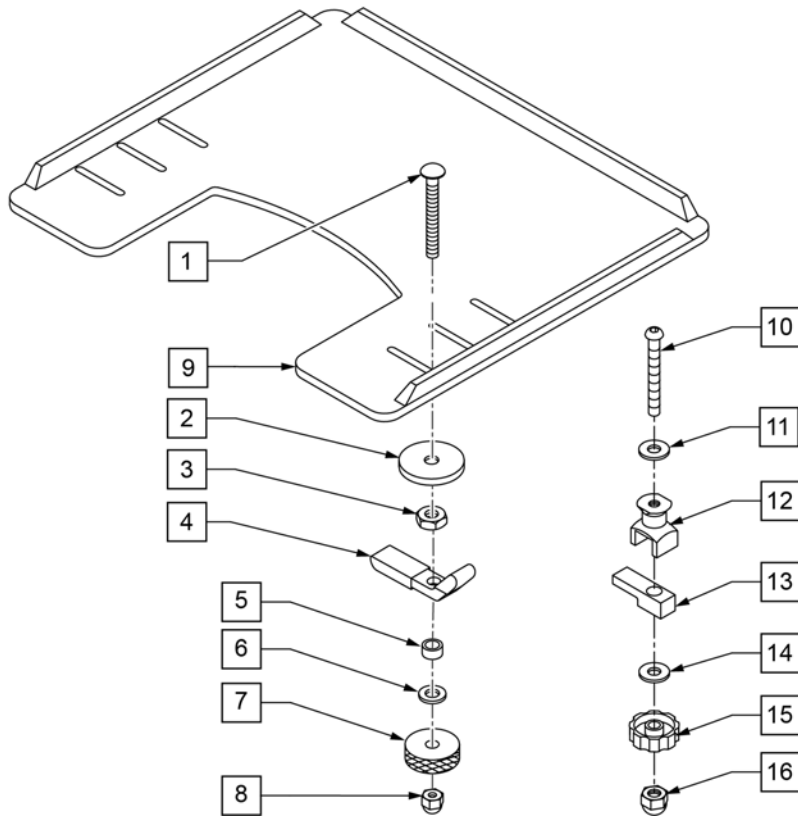
Pos.	Item Number	Description	Remarks
1	106967	BHCS 1/4 -28 x 2 1/2 SHLDR ROHS	
2	106943	WASHER FIAT AM 1/4 ROHS	
3	552190	RECEIVER ARMREST DUAL POST REAR FIXED	
4	506140	ADAPTER PVT DP UNIV ARMREST IRIS	
5	106935	NUT NYLOCK THIN 1/4 -28 ROHS	
6	506137	ADAPTER FR UNI RECEIVER 1.0 OFFSET	
7	106972	HHCS 1/4 -28 x 1 1/2 ROHS	
8	506366	UNIVERSAL ARMREST RECEIVER ASSM RH	RIGHT
8	506367	UNIVERSAL ARMREST RECEIVER ASSM LH	LEFT
9	340143	BUSHING .257 ID x .25 LG SST	
10	226313	BHCS 1/4 -28 x 5/8 SHLDR ROHS	
2,6-10	506408	UNI DP ARM RCV ASSM RFH QTS/IR	RIGHT
2,6-10	506409	UNI DP ARM RCV ASSM LFH QTS/IR	LEFT
2,4-10	920598	DPST/DPST H/A ARM RCVR KIT	KIT



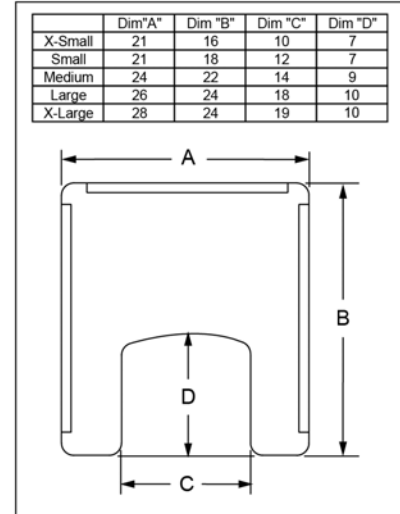
Pos.	Item Number	Description	Remarks
1	106966	BHCS 1/4 -28 x 2 1/4 SHLDR ROHS	
2	106967	BHCS 1/4 -28 x 2 1/2 SHLDR ROHS	
3	340144	BUSHING STEEL .257 ID x .346 LG SST	
4	506368	UNIVERSAL ARMREST RECEIVER ASSM RV	RIGHT - REAR
4	506369	UNIVERSAL ARMREST RECEIVER ASSM LV	LEFT -REAR
5	561273	1/2 x 3/4 x .060 NYLON WASHER	
6	506140	BACKREST PIVOT ARMREST RECEIVER	
7	106943	WASHER FIAT AM 1/4 ROHS	
8	106935	NUT NYLOCK THIN 1/4 -28 ROHS	
9	506137	ADAPTER FR UNI RECEIVER 1.0 OFFSET	
10	106972	HHCS 1/4 -28 x 1 1/2 ROHS	
11	506366	UNIVERSAL ARMREST RECEIVER ASSM RH	RIGHT
11	506367	UNIVERSAL ARMREST RECEIVER ASSM LH	LEFT
12	340143	BUSHING .257 ID x .25 LG SST	
13	226313	BHCS 1/4 -28 x 5/8 SHLDR ROHS	
7-13	506408	UNI DP ARM RCV ASSM RFH QTS/IR	RIGHT
7-13	506409	UNI DP ARM RCV ASSM LFH QTS/IR	LEFT
1-8	506410	UNI DP ARM RCVR ASSM RRV IRIS	RIGHT

Pos.	Item Number	Description	Remarks
1-8	506411	UNI DP ARM RCVR ASSM LRV IRIS	LEFT
1-13	920599	DPST FB/DPST FB HA ARM RCVR KIT	KIT

NOTE: WHEN ADDING A TRAY TO AN EXISTING CHAIR WITH DESK OR FULL LENGTH ARM PADS, ADD 1" TO CURRENT SEAT WIDTH TO ACHIEVE THE BEST TRAY SIZE.



MEASURING GUIDE



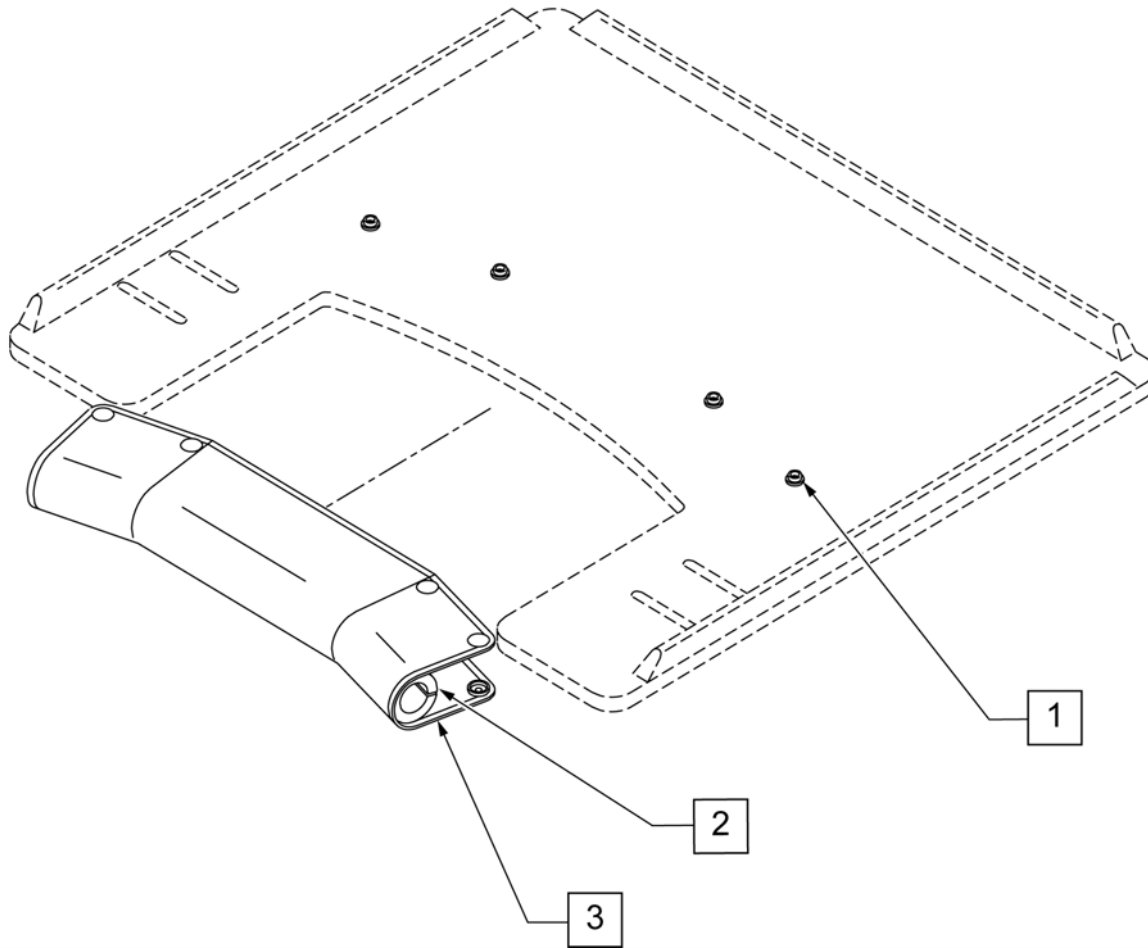
Pos.	Item Number	Description	Remarks
1	226199	5/16-18 x 3 1/2 CARR BOLT	
2	263112	5/16 WASHER FENDER	
3	202110	5/16-18 NUT THIN	
4	550400	TRAY CLAMP	
5	481113	SPACER 5/16 X .380	
6	263100	5/16 AN WASHER FLAT	
7	483026	KNURLED TRAY KNOB	
8	202112	5/16-18 ACORN NUT	
1-8	881051	TRAY HARDWARE KIT TUFFAK NEW STYLE	Pair
9A	562619	TRAY TOP EX-SM W/RAIL	
9B	562620	TRAY TOP SM W/RAIL	
9C	562621	TRAY TOP MED W/RAIL	
9D	562622	TRAY TOP LRG W/RAIL	
9E	562623	TRAY TOP X-LRG W/RAIL	
10-15	881053	TRAY HARDWARE ADJ ARM PWR (14219)	Pair
1-8,9A	902306	TRAY ASSEMBLY EX-SM TUFFAK (10 -12")	Fits 10"-12" wide chairs
1-8,9B	902303	TRAY ASSEMBLY SM TUFFAK (13 -14")	Fits 13"-14" wide chairs
1-8,9C	902304	TRAY ASSEMBLY MED TUFFAK (15 -17")	Fits 15"-17" wide chairs
1-8,9D	902305	TRAY ASSEMBLY LRG TUFFAK (18 -20")	Fits 18"-20" wide chairs
1-8,9E	902309	TRAY ASSEMBLY X-LRG TUFFAK (21 -22")	Fits 21"-22" wide chairs
9A,10-15	902330	TRAY ASSM X-SM TFK 10-12/CAM	Fits 10"-12" wide chairs

Pos.	Item Number	Description	Remarks
9B,10-15	902331	TRAY ASSM SM TUFFAK 13-14/CAM	Fits 13"-14" wide chairs
9C,10-15	902332	TRAY ASSM MED TUFFAK 15-17/CAM	Fits 15"-17" wide chairs
9D,10-15	902333	TRAY ASSM LRG TUFFAK 18-20/CAM	Fits 18"-20" wide chairs

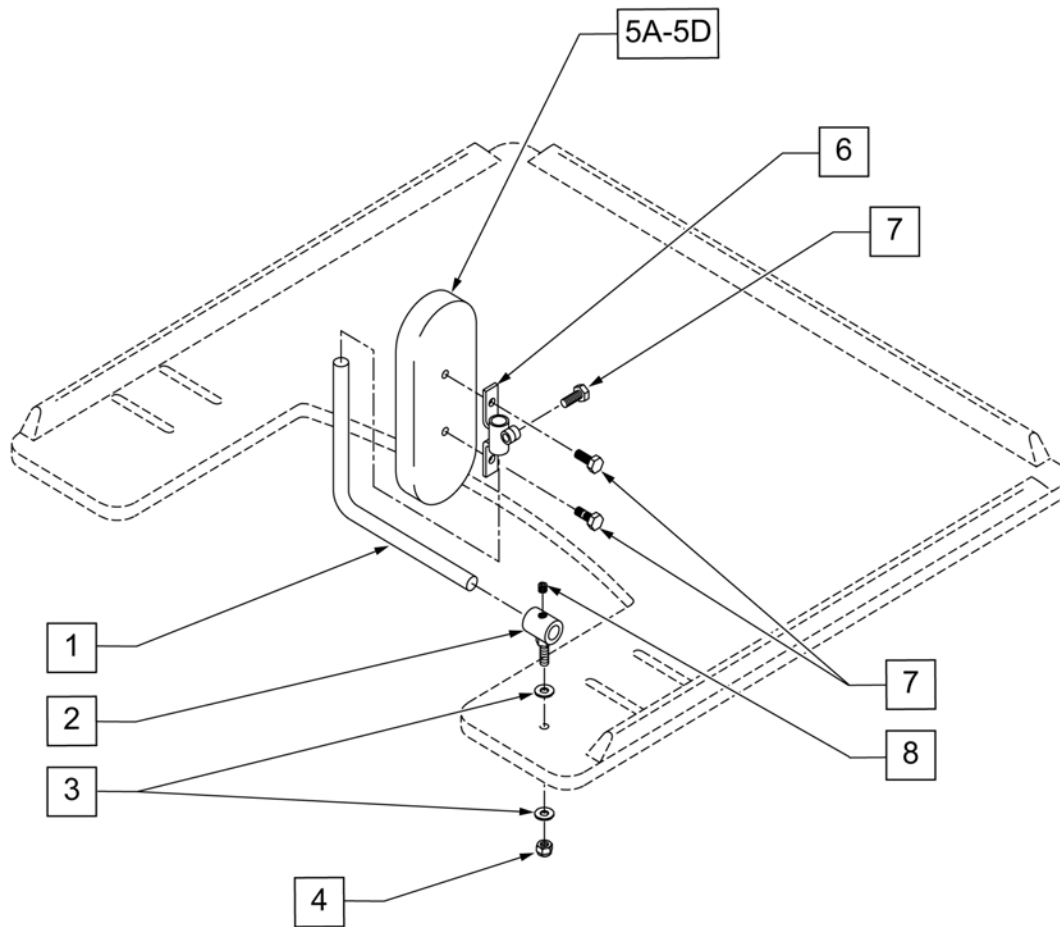
PADDED STOMACH CUTOUT

(06/2011)

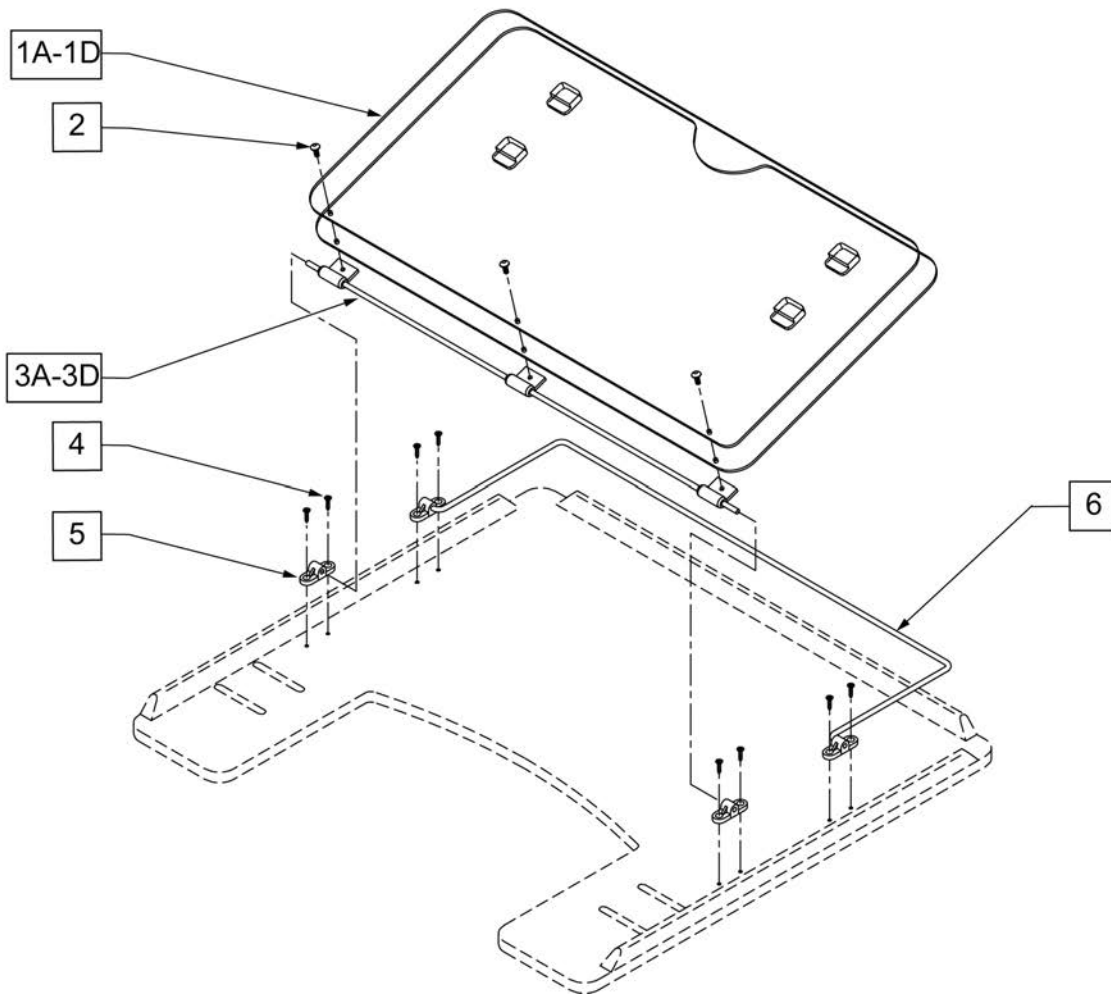
Note: Pad cannot be added to an existing tray as snaps must be installed at the factory to function correctly.



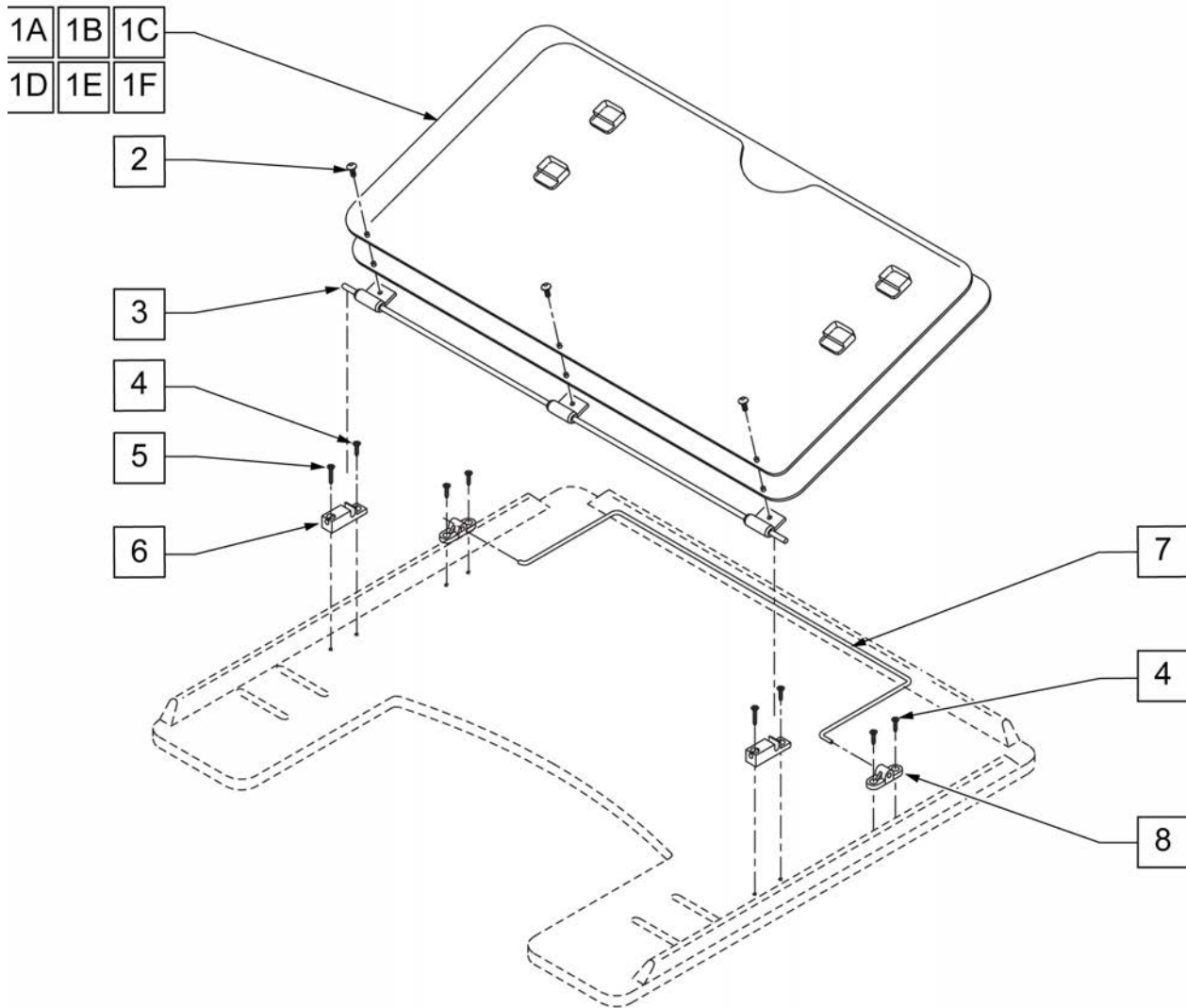
Pos.	Item Number	Description	Remarks
1-3	9PS	PADDED STOMACH CUT OUT	(SPECIFY COLOR)



Pos.	Item Number	Description	Remarks
1	450752	HEADREST ADJUSTMENT BAR	
2	450751	HEADREST PAD BUSHING	
3	2702	#10 SAE FLAT WASHER	
4	106932	1/4 -20 NYLOCK NUT HIGH	
5A	15022	4X6 RECTANGULAR PAD	
5B	15013	5 x 7 OVAL PAD	
5C	755020	4 x 5 OVAL PAD	
5D	15018	4 x 6 OVAL PAD	
6	450750	HEADREST PAD BRACKET	
7	221105-QU	1/4-20 x 3/4" HEX C/S	
8	2270	5/16-18 x 1/4" SOC SET SCREW	
1-4,5A,6-8	14980A	TRAY PROTRACTION ASSM-4X6 RECT	PAIR
1-4,5B,6-8	14980B	TRAY PROTRACTION ASSM-5X7 OVAL	PAIR
1-4,5C,6-8	14980D	TRAY PROTRACTION ASSM-4X5 OVAL	PAIR
1-4,5D,6-8	14980E	TRAY PROTRACTION ASSM-4X6 OVAL	PAIR

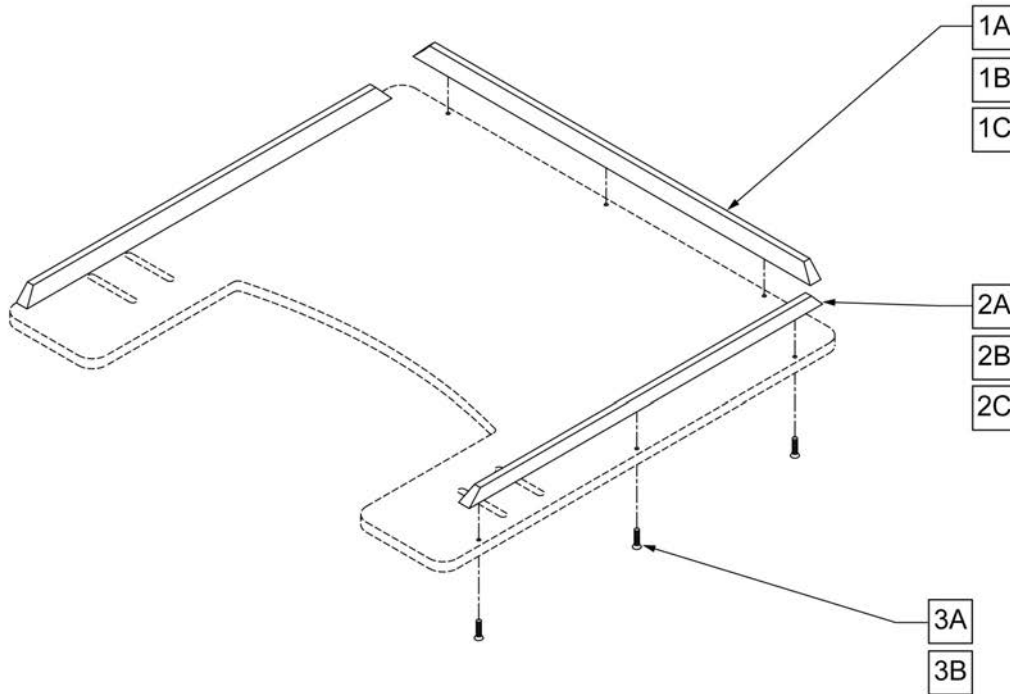


Pos.	Item Number	Description
1A,2	17916	9-1 STYLE 3 OVERLAY ONLY
1B,2	17917	9-2 STYLE 3 OVERLAY ONLY
1C,2	17918	9-5 STYLE 3 OVERLAY ONLY
1D,2	17939	9-6 STYLE 3 OVERLAY ONLY
2	226017	10-32 x 3/8 BH C/S BLK
3A	17922	9-1 HINGED OVERLAY PIVOT BAR
3B	17923	9-2 HINGED OVERLAY PIVOT BAR
3C	17924	9-5 HINGED OVERLAY PIVOT BAR
3D	17929	9-6 HINGED OVERLAY PIVOT BAR
4	2266	#6 x 1/2" FL DH PHL SCREW
5	4061	TRAY OVERLAY MOUNTING BRACKET
6A	17925	TRAY OVERLAY ROD
6B	17926	9-2 OVERLAY ROD
6C	17927	9-5 OVERLAY ROD
6D	17928	9-6 TRAY OVERLAY ROD
1A-6A	17919	9-1 STYLE 3 OVERLAY ASSM
1B-6B	17920	9-2 STYLE 3 OVERLAY ASSM
1C-6C	17921	9-5 STYLE 3 OVERLAY ASSM
1D-6D	17902	9-6 STYLE 3 OVERLAY ASSY



Pos.	Item Number	Description	Pos.	Item Number	Description
1A	17935	9-1 STYLE 2 OVERLAY	3D	17929	9-6 HINGED OVERLAY PIVOT BAR
1B	17936	9-2 STYLE 2 OVERLAY	4	2266	#6 x 1/2" FL DH PHL SCREW
1C	17937	9-5 STYLE 2 OVERLAY	5	230047	#6 x 3/4" FH PHIL S/M SCREW
1D	17938	9-6 STYLE 2 OVERLAY	6	14232	TRAY OVERLAY - QUICK RELEASE
1E	17930	STYLE #1 LEARNING BOARD	7A	17925	TRAY OVERLAY ROD
1F	17931	STYLE #1 FULL LEARNING BOARD	7B	17926	9-2 OVERLAY ROD
1A,2	17916	9-1 STYLE 3 OVERLAY ONLY	7C	17927	9-5 OVERLAY ROD
1B,2	17917	9-2 STYLE 3 OVERLAY ONLY	7D	17928	9-6 TRAY OVERLAY ROD
1C,2	17918	9-5 STYLE 3 OVERLAY ONLY	8	4061	TRAY OVERLAY MOUNTING BRACKET
1D,2	17939	9-6 STYLE 3 OVERLAY ONLY	1-8	17903	9-1 STYLE 3A OVERLAY ASSEMBLY
2	226017	10-32 x 3/8 BH C/S BLK	1-8	17904	9-2 STYLE 3A OVERLAY ASSEMBLY
3A	17922	9-1 HINGED OVERLAY PIVOT BAR	1-8	17905	9-5 STYLE 3A OVERLAY ASSEMBLY
3B	17923	9-2 HINGED OVERLAY PIVOT BAR	1-8	17906	9-6 STYLE 3A OVERLAY ASSEMBLY
3C	17924	9-5 HINGED OVERLAY PIVOT BAR			

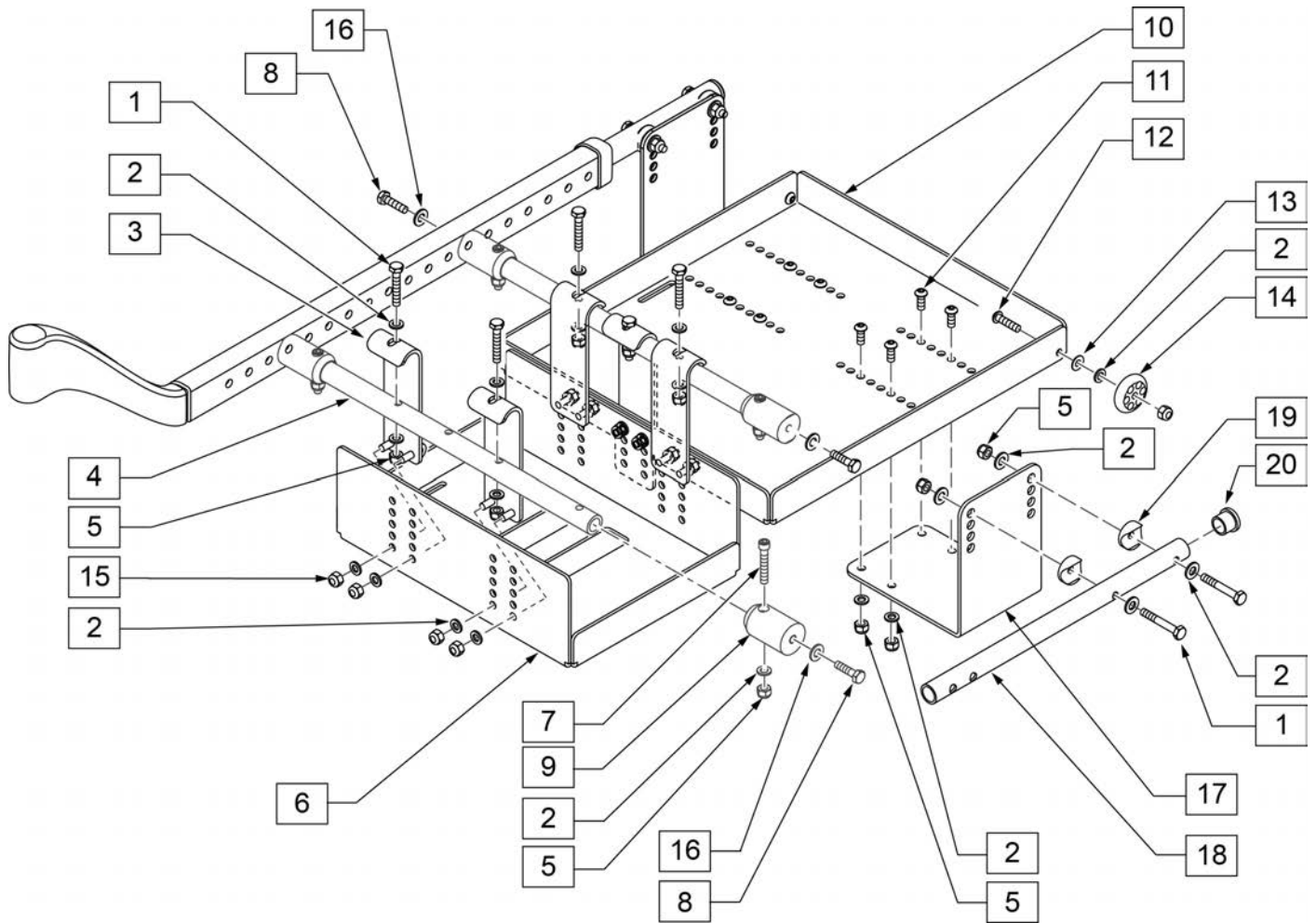
NOTE: ONE 19" RIB AND TWO 15 1/2" RIBS FIT THE EXTRA-SMALL, SMALL, 9-0 AND 9-1 TRAY TABLES. ONE 21" RIB AND TWO 19" RIBS FIT THE MEDIUM AND 9-2 TRAY TABLES. ONE 23 1/2" RIB AND TWO 21" RIBS FIT THE LARGE, 9-2, 9-5, AND 9-6 TRAY TABLES.



Pos.	Item Number	Description	Pos.	Item Number	Description
1A	9004	19" WOOD TRAY RIBS	2A	9004	19" WOOD TRAY RIBS
1A	9005	21" WOOD TRAY RIBS	2A	9005	21" WOOD TRAY RIBS
1A	9006-QU	23 1/2" WOOD TRAY RIBS	2B	9007-QU	15 1/2" HEAVY DUTY RIB FOR WOOD TRAY
1B	9010	19" HEAVY DUTY RIB FOR WOOD TRAY	2B	9010	19" HEAVY DUTY RIB FOR WOOD TRAY
1B	9013	21" HEAVY DUTY RIB FOR WOOD TRAY	2B	9013	21" HEAVY DUTY RIB FOR WOOD TRAY
1B	9016	23 1/2" HEAVY DUTY RIB FOR WOOD TRAY	2C	9008-QU	15 1/2" HEAVY DUTY RIB FOR 3/8" TUFFAK
1C	9011-QU	19" HEAVY DUTY RIB FOR 3/8" TUFFAK	2C	9011-QU	19" HEAVY DUTY RIB FOR 3/8" TUFFAK
1C	9014	21" HEAVY DUTY RIB FOR 3/8" TUFFAK	2C	9014	21" HEAVY DUTY RIB FOR 3/8" TUFFAK
1C	9017	23 1/2" HEAVY DUTY RIB FOR 3/8" TUFFAK	3A	2268	#6 x 5/8" OVAL PHILLIPS SCREW
2A	9003	15 1/2" WOOD TRAY RIBS	3B	230047	#6 x 3/4" FH PHIL S/M SCREW

NOTE: NEW AXLE PLATES ARE REQUIRED IF ADDING A VENT & BATTERY TRAY.

NOTE: FITS CHAIRS W/ SERIAL NUMBERS PREFIX IRS OR ISE ONLY.

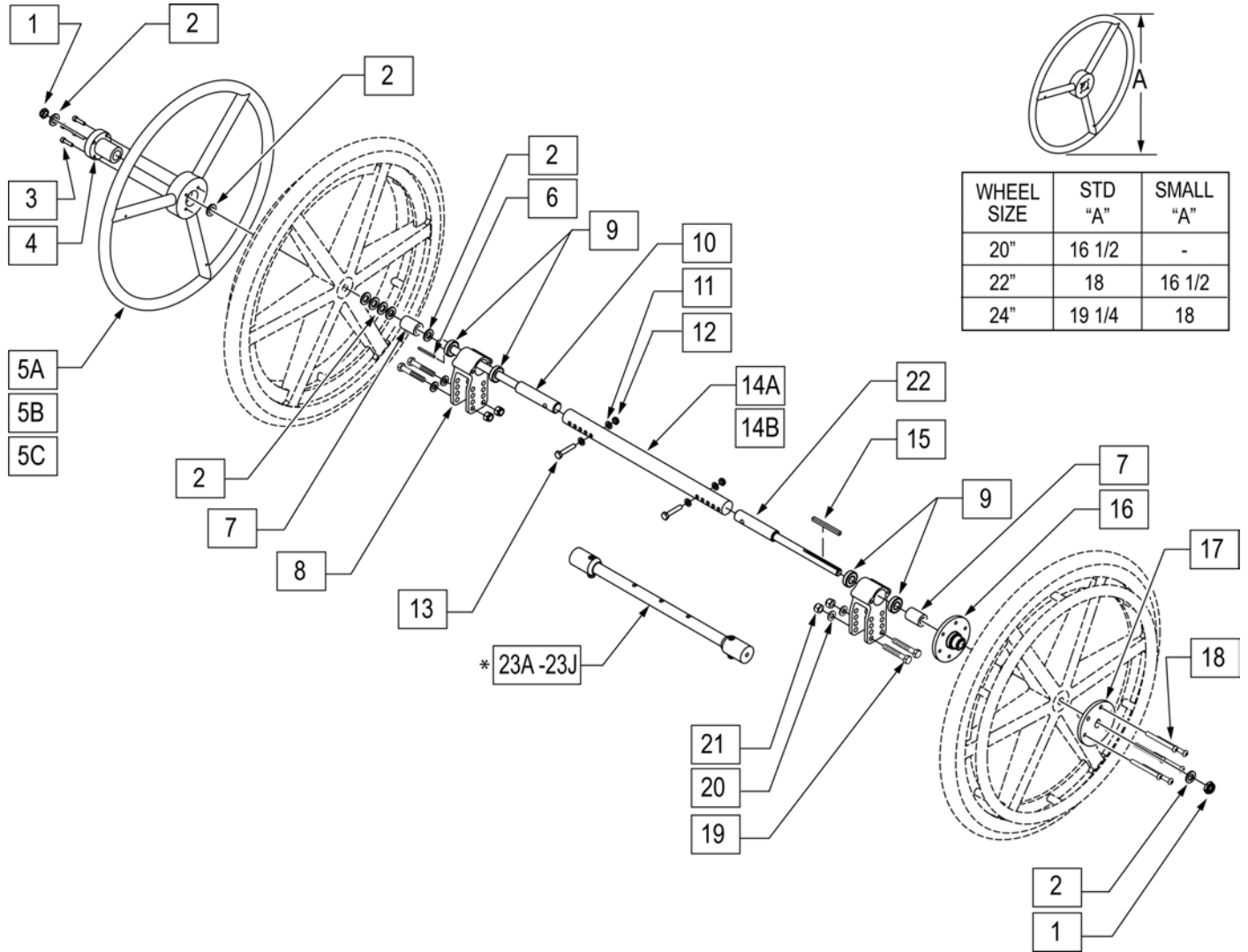


Pos.	Item Number	Description	Remarks
1	106971	HHCS 1/4 -28 x 1 3/8 ROHS	
2	106943	WASHER FLAT AN 1/4 ROHS	
3	505969	HOOK BATTERY TRAY	
4	522923	TUBE STRUT VENT & BATTERY TRAY 16	16" wide
4	522924	TUBE STRUT VENT & BATTERY TRAY 17	17" wide
4	522925	TUBE STRUT VENT & BATTERY TRAY 18	18" wide
4	522926	TUBE STRUT VENT & BATTERY TRAY 19	19" wide
4	522927	TUBE STRUT VENT & BATTERY TRAY 20	20" wide
4	522928	TUBE STRUT VENT & BATTERY TRAY 21	21" wide
4	522929	TUBE STRUT VENT & BATTERY TRAY 22	22" wide
5	106934	NUT NYLOCK 1/4 -28 ROHS	
6	540359	BATTERY TRAY GRP 24	
7	106975	SHCS 1/4 -28 x 1 1/4 ROHS	

Pos.	Item Number	Description	Remarks
8	106985	HHCS 5/16 -24 x 2 ROHS	
9	105880	MOUNT STRUT VENT & BATTERY TRAY	
10	505823	VENTILATOR TRAY	
11	106959	BHCS 1/4 -28 x 5/8" ROHS	
12	106960	BHCS 1/4 -28 x 7/8" ROHS	
13	262130	6MM WASHER WAVE	
14	561032	ANTI-TIP WHEEL	
15	106932	NUT NYLOCK 1/4 -28 ROHS	
16	263100	WASHER FLAT AN 5/16" ROHS	
17	105887	BRACKET VENT TRAY	
18	105885	TUBE EXTENSION VENT & BATTERY TRAY	
19	561055	3/4 SADDLE 1 OD	
20	561000-QU	3/4" INSERT PLUG .083	
1-20	108284	VENT BATTERY TRAY ASSM 16 WIDE	16" wide
1-20	108285	VENT BATTERY TRAY ASSM 17 WIDE	17" wide
1-20	108286	VENT BATTERY TRAY ASSM 18 WIDE	18" wide
1-20	108287	VENT BATTERY TRAY ASSM 19 WIDE	19" wide
1-20	108288	VENT BATTERY TRAY ASSM 20 WIDE	20" wide
1-20	108289	VENT BATTERY TRAY ASSM 21 WIDE	21" wide
1-20	108290	VENT BATTERY TRAY ASSM 22 WIDE	22" wide
2,4,5,7-9,16	108579	VENT STRUT ASSM 16 W	16" wide
2,4,5,7-9,16	108580	VENT STRUT ASSM 17 W	17" wide
2,4,5,7-9,16	108581	VENT STRUT ASSM 18 W	18" wide
2,4,5,7-9,16	108582	VENT STRUT ASSM 19 W	19" wide
2,4,5,7-9,16	108583	VENT STRUT ASSM 20 W	20" wide
2,4,5,7-9,16	108584	VENT STRUT ASSM 21 W	21" wide
2,4,5,7-9,16	108585	VENT STRUT ASSM 22 W	22" wide

NOTE: FITS CHAIRS W/ PREFIX IRS OR IRSE ONLY.

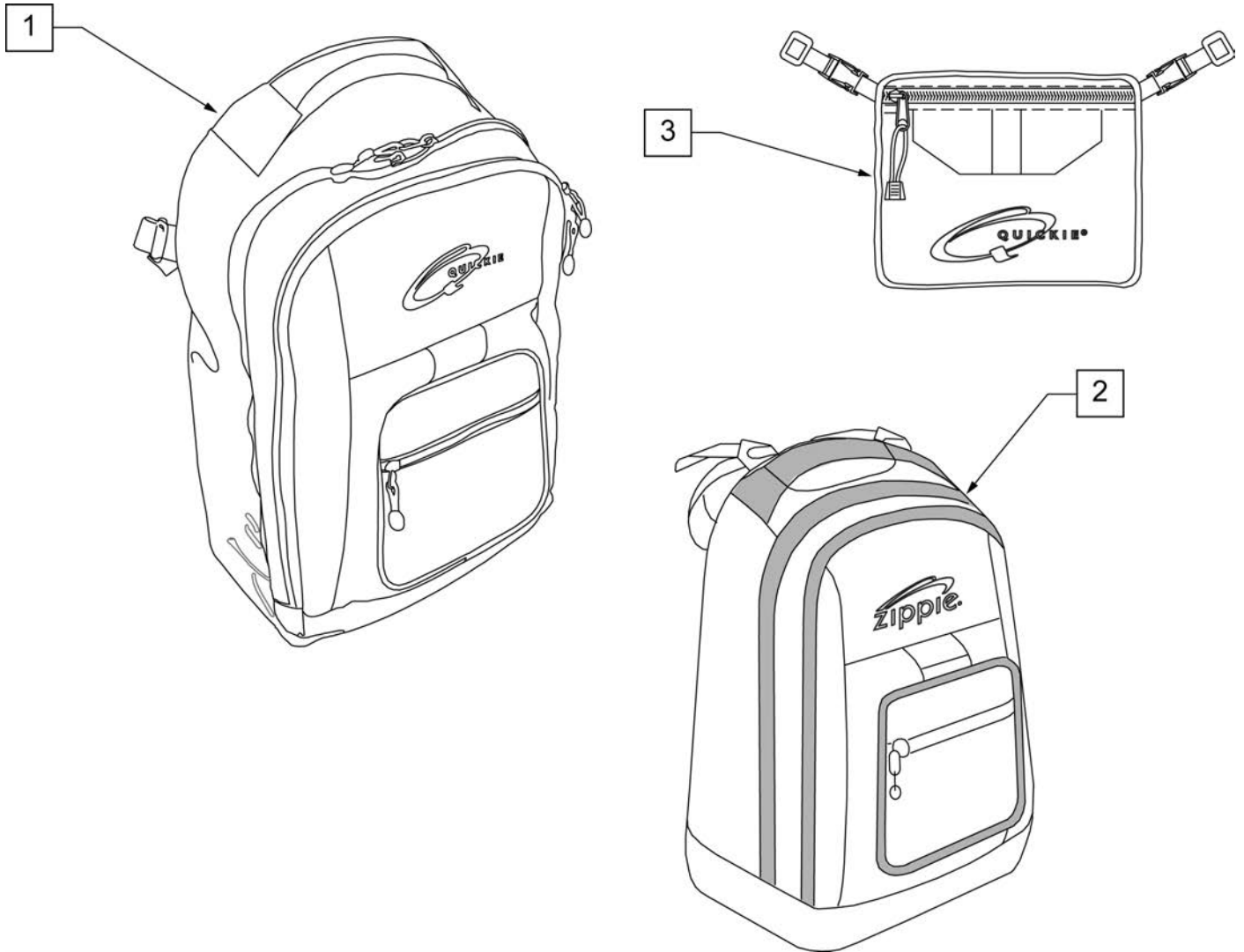
NOTE: REFER TO REAR WHEEL SECTION FOR REPLACEMENT MAG WHEELS.



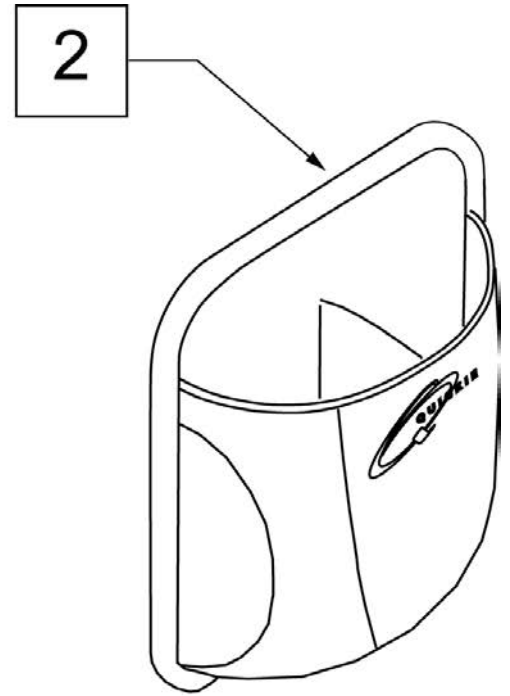
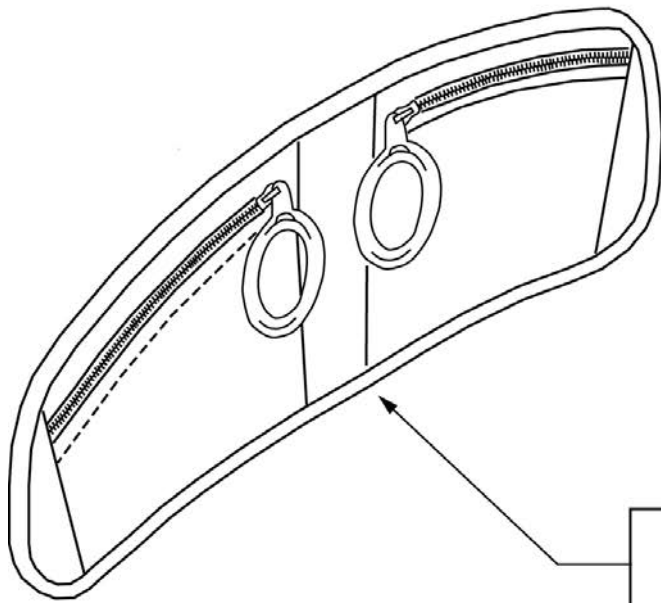
Pos.	Item Number	Description	Pos.	Item Number	Description
1	106940	NUT NYLOCK THIN 1/2 -20 ROHS	9	349500	1 1/8 x 1/2 BEARING
2	106949	WASHER FLAT AN 1/2 ROHS	8,9	108576	AXLE PLATE ASSM 1AD
3	106956	SHCS 10 -32 x 3/4 ROHS	10	050534-002	SHAFT DRIVE WHEEL 1AD
4	106691	HAND RING HUB	11	106943	WASHER FLAT AN 1/4 ROHS
5A	529800	1AD HANDRIM ONLY 22" STD/24" SM	12	106935	NUT NYLOCK THIN 1/4 -28 ROHS
5B	529801	1AD HANDRIM ONLY 20" STD/22" SM	13	106971	HHCS 1/4 -28 x 1 3/8 ROHS
5C	529802	1AD HANDRIM ONLY 24" STD	14A	105856-001	TUBE STRUT 1 AD 14 -18"
6	341274	3/16 SQ x 1 1/2 KEY STL	14B	105856-002	TUBE STRUT 1 AD 18 -22"
7	483320	WHEEL SPACER CGTS	15	341277	3/16" SQ x 2 3/8 KEY STL
8	105855	AXLE PLATE 1 AD	16	500631	WHEEL HUB 1 ARM DRIVE W/ TAP

Pos.	Item Number	Description	Pos.	Item Number	Description
17	500630	1 AD WHEEL HUB W/O TAP	1-5A, 6 -23G	115984	1AD RTRO 22/24 KIT IRIS 20W
18	106967	BHCS 1/4 -28 x 2 1/2 SHLDR ROHS	1-5A, 6 -23H	115985	1AD RTRO 22/24 KIT IRIS 21W
19	106985	HHCS 5/16 -24 x 2 ROHS	1-5A, 6 -23J	115986	1AD RTRO 22/24 KIT IRIS 22W
20	106946	WASHER FLAT AN 5/16 ROHS	1-5B, 6 -23A	115987	1AD RTRO 20/22 KIT IRIS 14W
21	106938	NUT NYLOCK 5/16 -24 ROHS	1-5B, 6 -23B	115988	1AD RTRO 20/22 KIT IRIS 15W
22	050534-001	SHAFT DRIVE HANDRIM 1AD	1-5B, 6 -23C	115989	1AD RTRO 20/22 KIT IRIS 16W
23A	115976	VENT STRUT ASSM 14" W	1-5B, 6 -23D	115990	1AD RTRO 20/22 KIT IRIS 17W
23B	115977	VENT STRUT ASSM 15" W	1-5B, 6 -23E	115991	1AD RTRO 20/22 KIT IRIS 18W
23C	108579	VENT STRUT ASSM 16" W	1-5B, 6 -23F	115992	1AD RTRO 20/22 KIT IRIS 19W
23D	108580	VENT STRUT ASSM 17" W	1-5B, 6 -23G	115993	1AD RTRO 20/22 KIT IRIS 20W
23E	108581	VENT STRUT ASSM 18" W	1-5B, 6 -23H	115994	1AD RTRO 20/22 KIT IRIS 21W
23F	108582	VENT STRUT ASSM 19" W	1-5B, 6 -23J	115995	1AD RTRO 20/22 KIT IRIS 22W
23G	108583	VENT STRUT ASSM 20" W	1-5C, 6 -23A	115996	1AD RTRO 24 KIT IRIS 14W
23H	108584	VENT STRUT ASSM 21" W	1-5C, 6 -23B	115997	1AD RTRO 24 KIT IRIS 15W
23J	108585	VENT STRUT ASSM 22" W	1-5C, 6 -23C	115998	1AD RTRO 24 KIT IRIS 16W
1-5A, 6 -23A	115978	1AD RTRO 22/24 KIT IRIS 14W	1-5C, 6 -23D	115999	1AD RTRO 24 KIT IRIS 17W
1-5A, 6 -23B	115979	1AD RTRO 22/24 KIT IRIS 15W	1-5C, 6 -23E	116000	1AD RTRO 24 KIT IRIS 18W
1-5A, 6 -23C	115980	1AD RTRO 22/24 KIT IRIS 16W	1-5C, 6 -23F	116001	1AD RTRO 24 KIT IRIS 19W
1-5A, 6 -23D	115981	1AD RTRO 22/24 KIT IRIS 17W	1-5C, 6 -23G	116002	1AD RTRO 24 KIT IRIS 20W
1-5A, 6 -23E	115982	1AD RTRO 22/24 KIT IRIS 18W	1-5C, 6 -23H	116003	1AD RTRO 24 KIT IRIS 21W
1-5A, 6 -23F	115983	1AD RTRO 22/24 KIT IRIS 19W	1-5C, 6 -23J	116004	1AD RTRO 24 KIT IRIS 22W

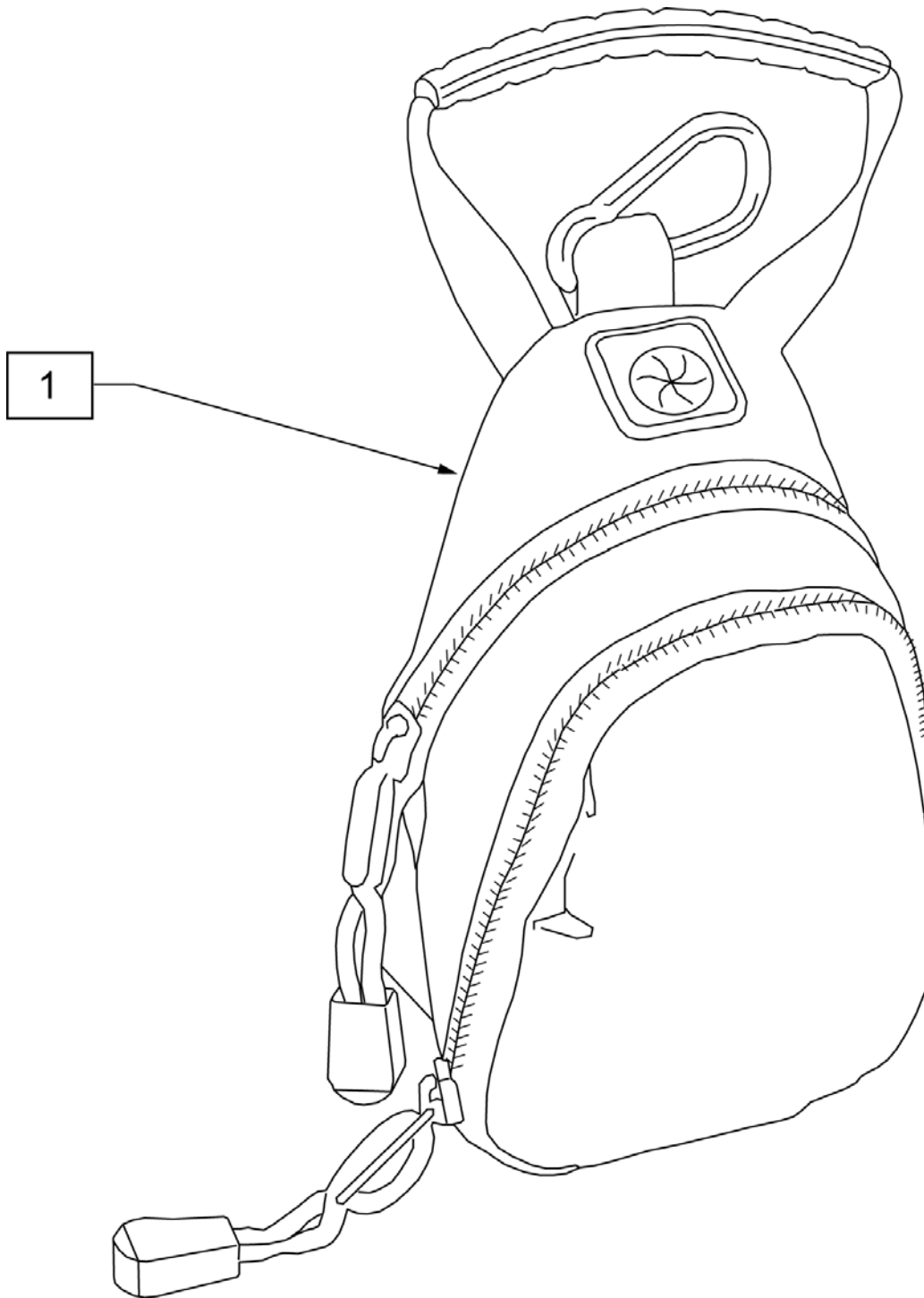
NOTE: KIDS BACKPACKS DO NOT HAVE ADJUSTABLE STRAPS W/ BUCKLES.



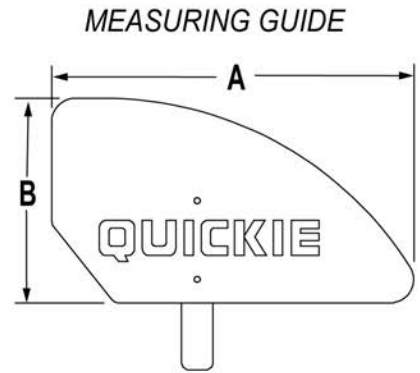
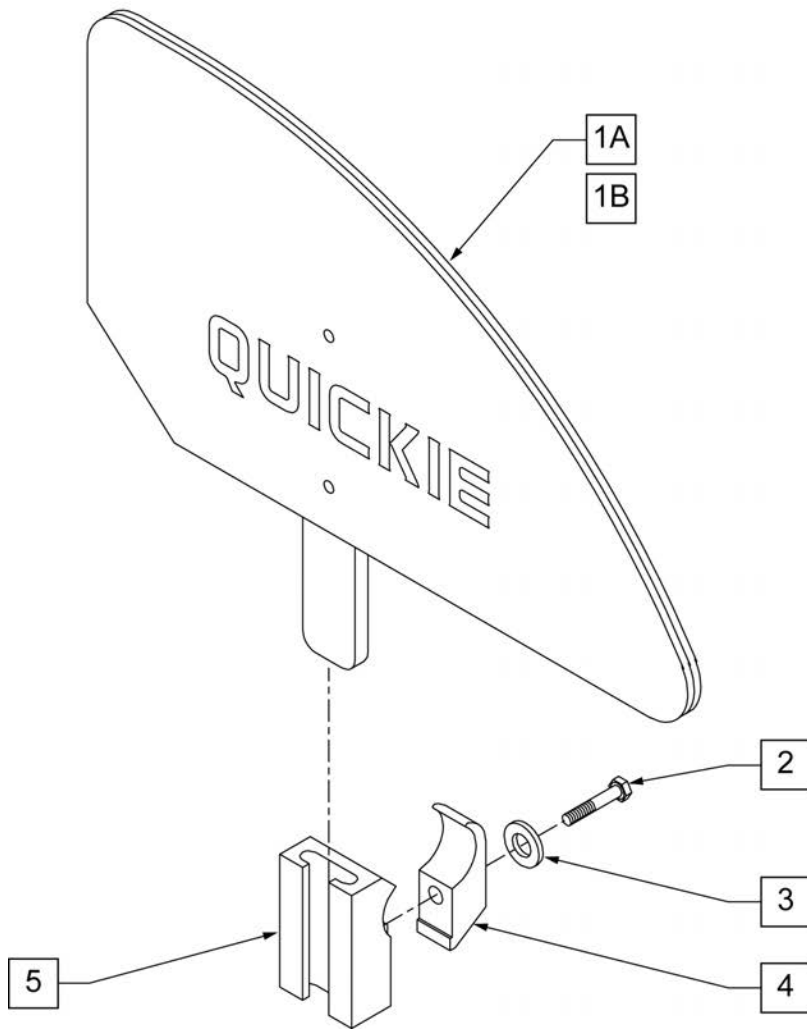
Pos.	Item Number	Description
1	750115	BACK PACK QUICKIE
2	104572	BACKPACK ZIPPIE
3	750307	SEAT POUCH QUICKIE



Pos.	Item Number	Description	Remarks
1	013477	LAP ORGANIZER	Size: 18.25"x 7.75"x .75"
2	013475	QUICKIE SIDE POCKET	Size: 6.5"x 6.5"x 2"



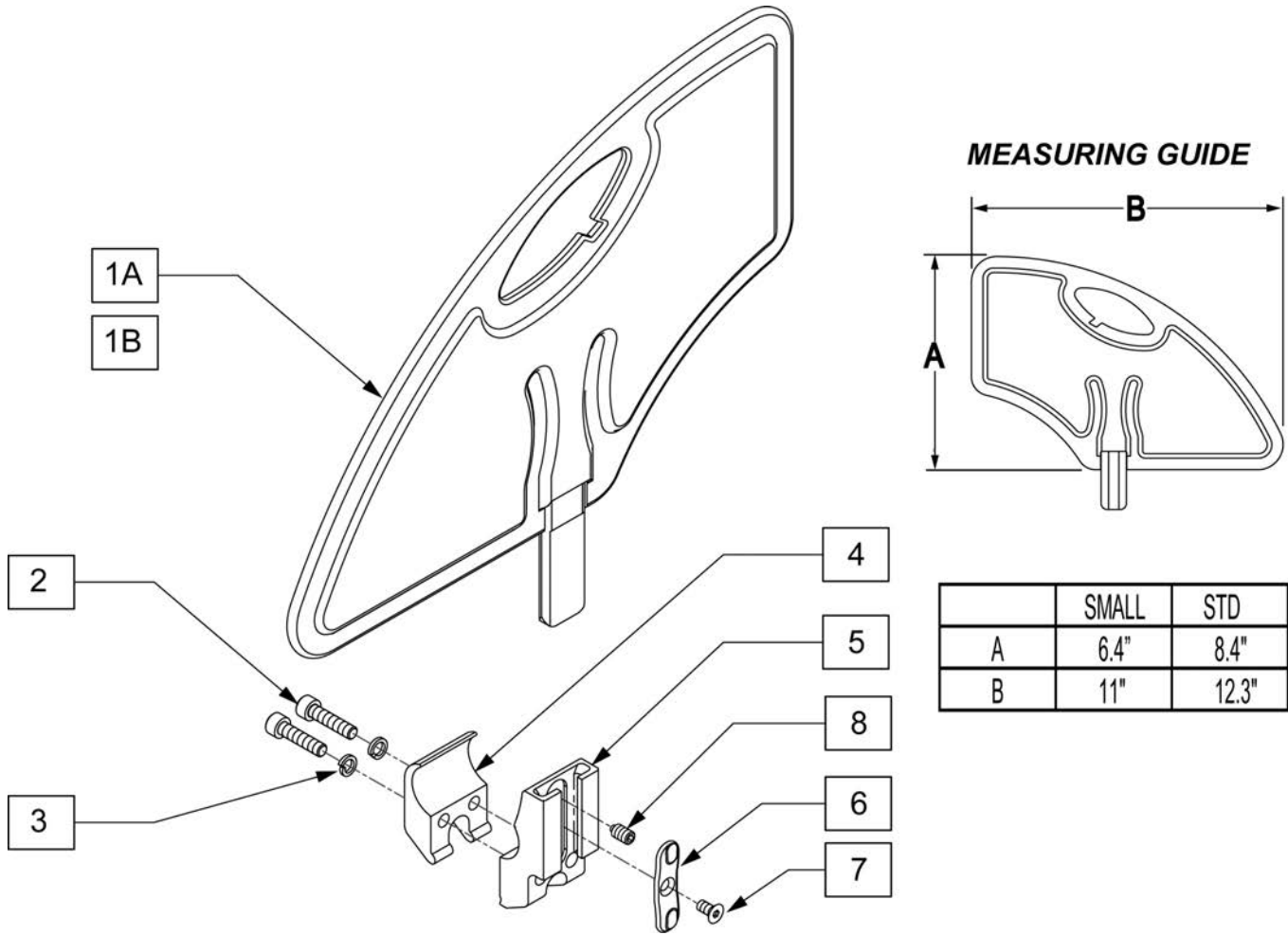
Pos.	Item Number	Description
1	109229	CELL PHONE PACK (ORANGE)



	"A"	"B"
ADULT	12 3/4"	8 5/8"
KIDS	11 1/2"	6 1/2"

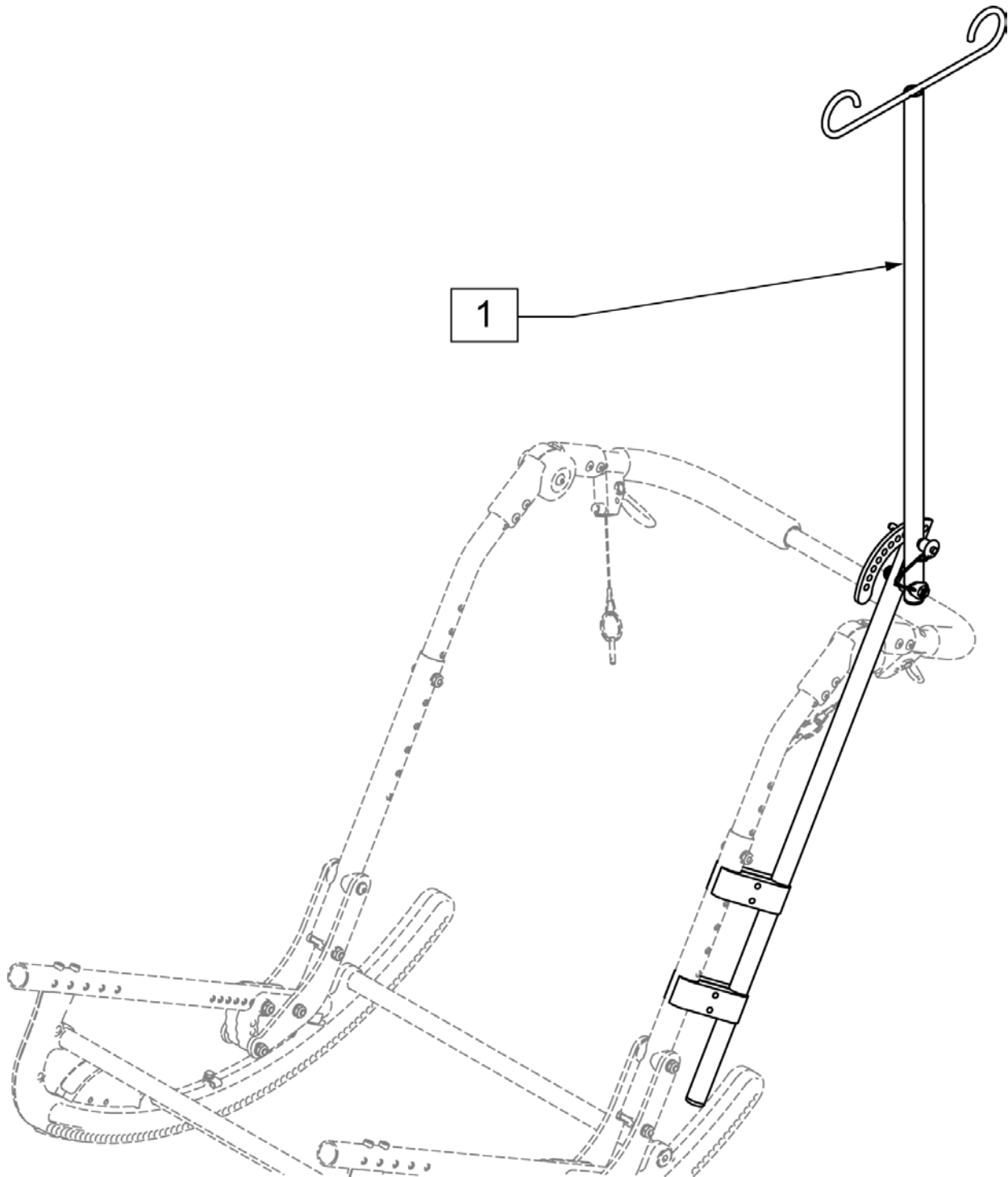
NOTE: STANDARD (ADULT) SIDE GUARD FITS 14-20" DEPTHS, KIDS SIDE GUARD FITS 10-13" DEPTHS.

Pos.	Item Number	Description
1A	881150	PLASTIC SIDE GUARD KIDS R
1A	881151	PLASTIC SIDE GUARD KIDS L
1B	881152	PLASTIC SIDE GUARD STD R
1B	881153	PLASTIC SIDE GUARD STD L
2	106971	1/4-28 x 1 3/8 HEX C/S
3	106944	1/4 AN WASHER FLAT THIN
4	550251	CLAMP P300 CHARGING/ADJ FL KIDS
5	550325	SIDE GUARD/KIDZ ARM RECEIVER
2-5	881200	SIDE GUARD/KIDZ ARM RECEIVER W/CLAMP
1A,2-5	901111	PLASTIC SIDE GUARD KIDS ASSM W/CLAMP
1B,2-5	901110	PLASTIC SIDE GUARD STD ASSM W/CLAMP

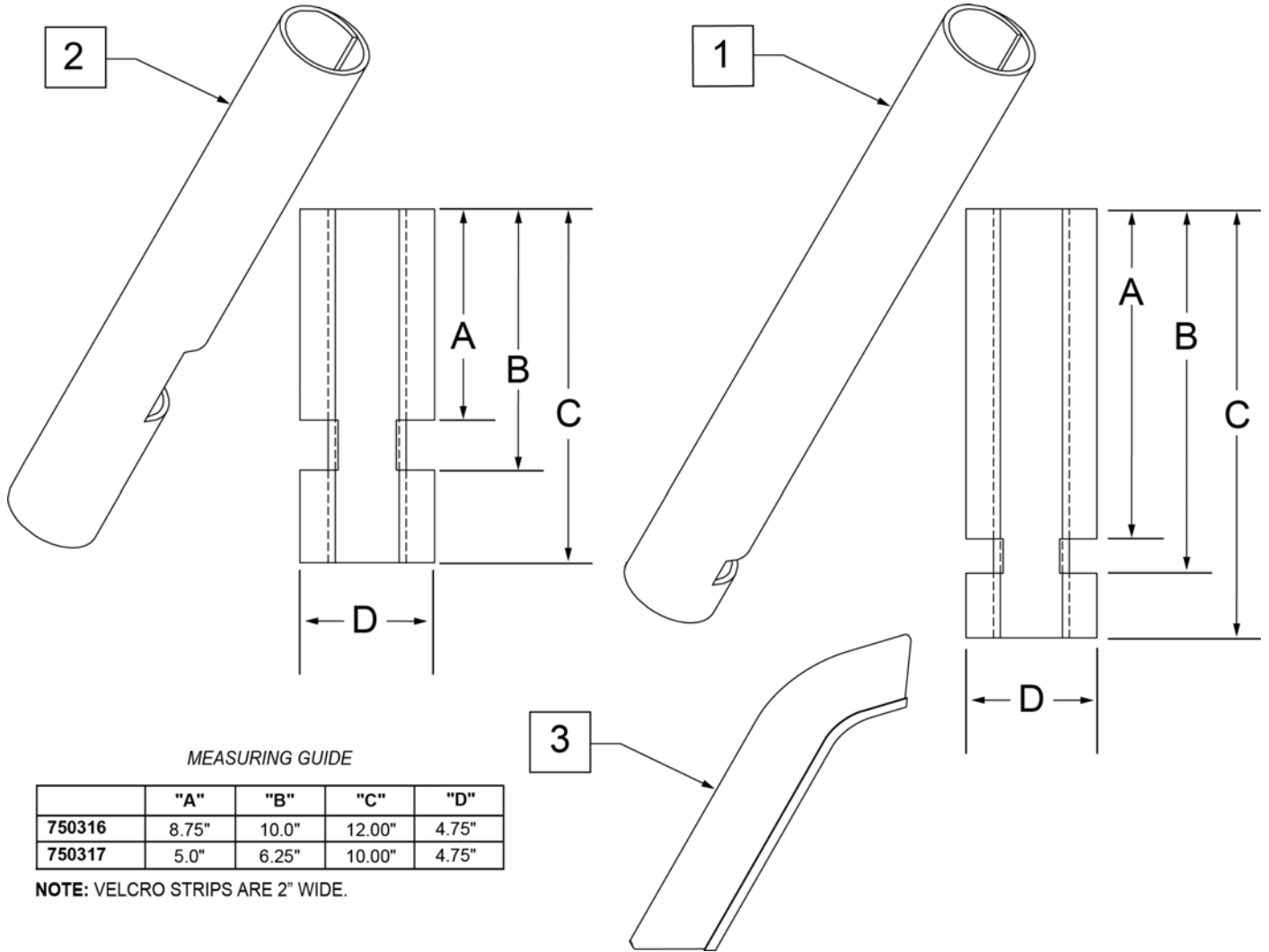


Pos.	Item Number	Description
1A	104164-001	SIDE GUARD ASSY STD
1B	104164-002	SIDE GUARD ASSY SMALL
2	106961	BHCS 1/4-28 X 1-1/4 ROHS
3	107367	WASHER LOCK HI COLLAR 1/4 ROHS
4	106714	REC SIDE GUARD CLAMP THREADED
6	108780	RECEIVER SG PLASTIC INSERT
7	107135	FHCS #6-32 X 1/4 BLK
8	107136	SETSCREW 1/4-28 X 5/16 OVAL PT
5-8	108781	RECIEVER SIDE GUARD ASSY
2-8	107592	RECEIVER SIDE GUARD ASSY
1A-8	107590	SIDE GUARD ASSY W/ CLAMP STD
1B-8	107591	SIDE GUARD ASSY W/ CLAMP SMALL

NOTE: THE ANGLE ADJUSTABLE IV POLE IS NOT COMPATABLE WITH THE TRANSIT OPTION.



Pos.	Item Number	Description
1	884140	ANGLE ADJUSTABLE IV POLE



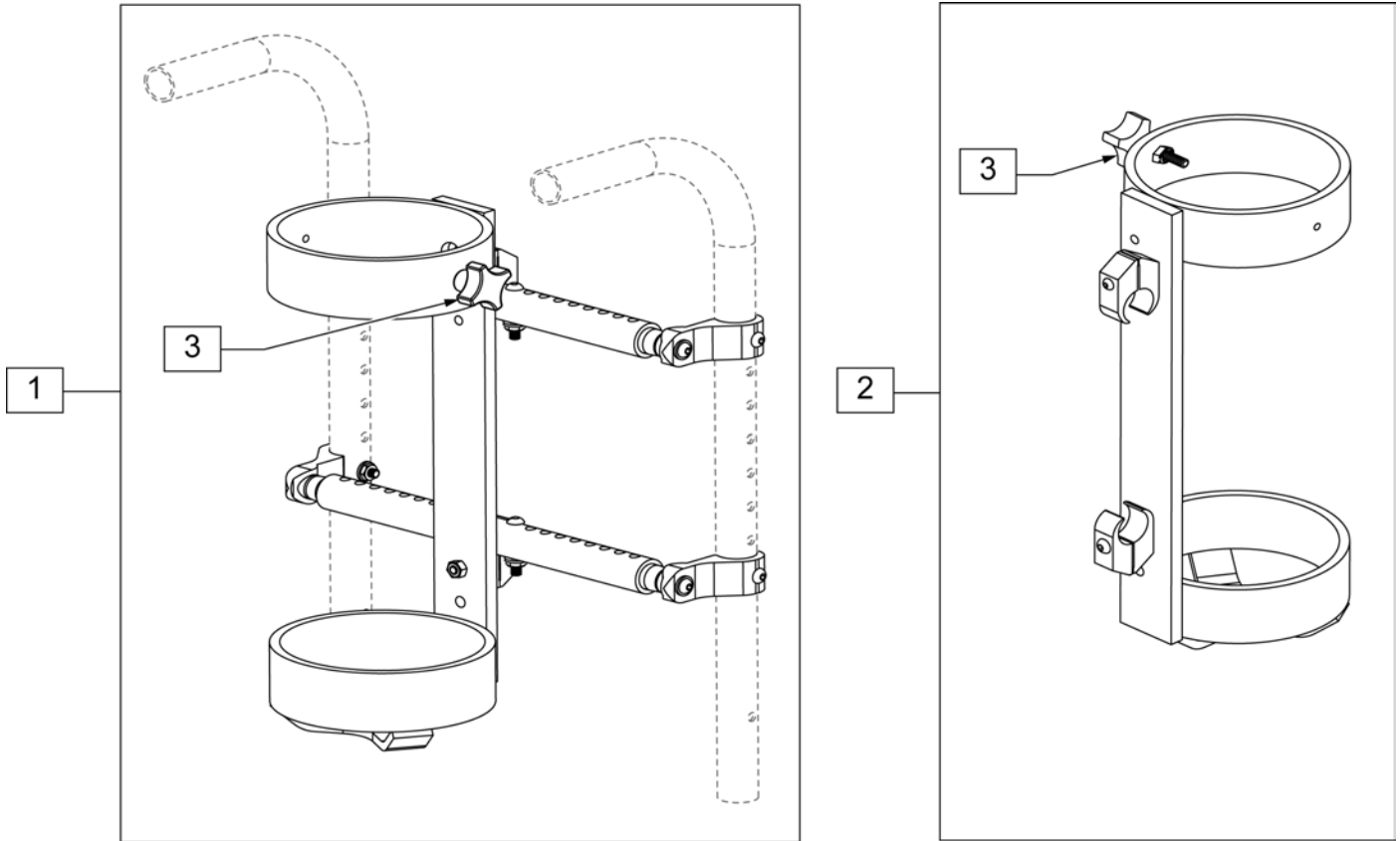
MEASURING GUIDE

	"A"	"B"	"C"	"D"
750316	8.75"	10.0"	12.00"	4.75"
750317	5.0"	6.25"	10.00"	4.75"

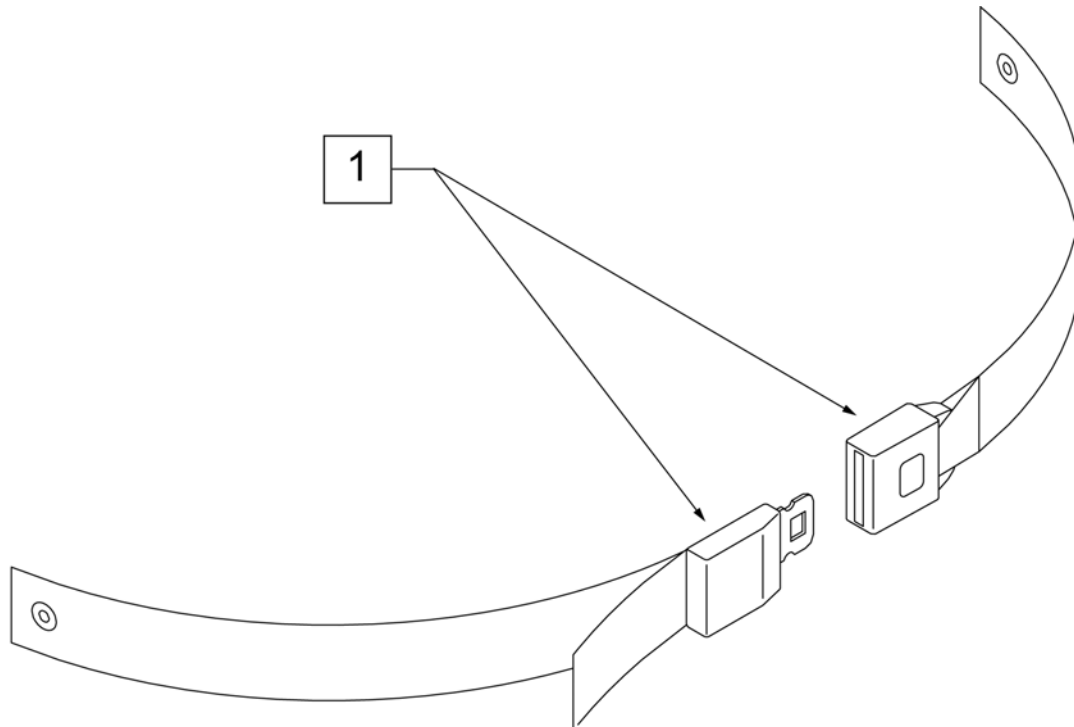
NOTE: VELCRO STRIPS ARE 2" WIDE.

Pos.	Item Number	Description	Remarks
1	750316	IMPACT GUARDS NEOPRENE FIXED (PR)	PAIR-Fixed Front Frame
2	750317	IMPACT GUARDS NEOPRENE S/A	PAIR-S/A Footrest & Q7
3	109231	GEL VELCRO PAD HANGER/FRAME	PAIR- fits S/A & Fixed Front Frame

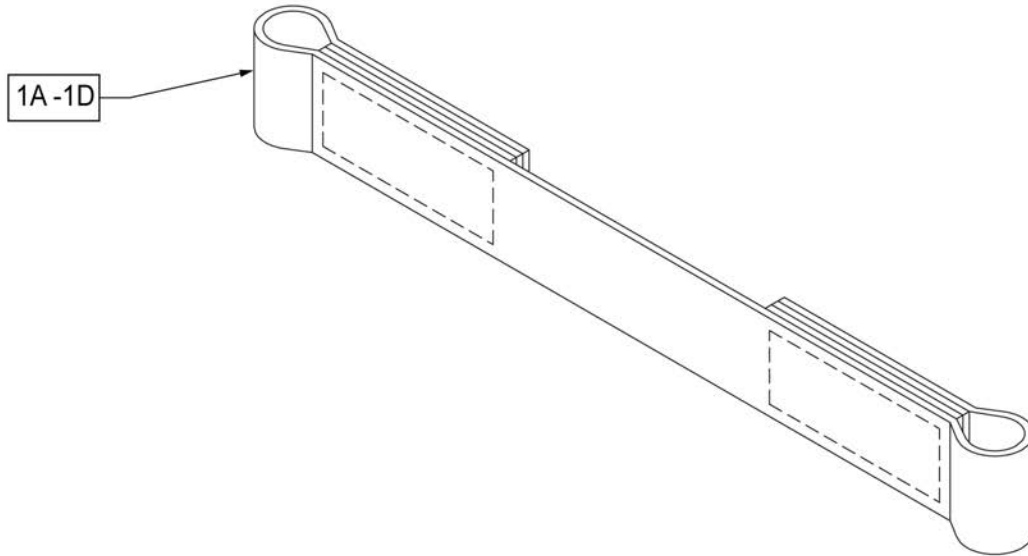
NOTE: AVAILABLE WITH STANDARD BACKREST ONLY AND WILL NOT BE COMPATIBLE WITH CHAIRS THAT ARE EQUIPPED WITH S/A HEIGHT ADJ STROLLER HANDLES, TRANSIT OPTION, JAY 3 BACK OR RECLINING BACKREST. ACCOMMODATES SIZE D & E OXYGEN TANKS.



Pos.	Item Number	Description
1	884136	O2 HOLDER W/ BACKREST MOUNT 14" - 22" WIDE
2	884135	O2 HOLDER W/ 1" CLAMPS
3	343080	FOUR-PRONG KNOB STUD 1/4 -20

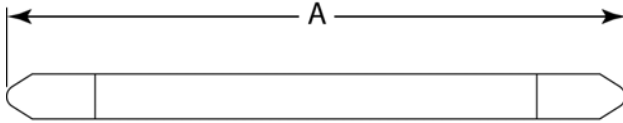


Pos.	Item Number	Description	Remarks
1	750276	1 1/2" POSITION BELT	AUTOSTYLE-64" Max length of belt.

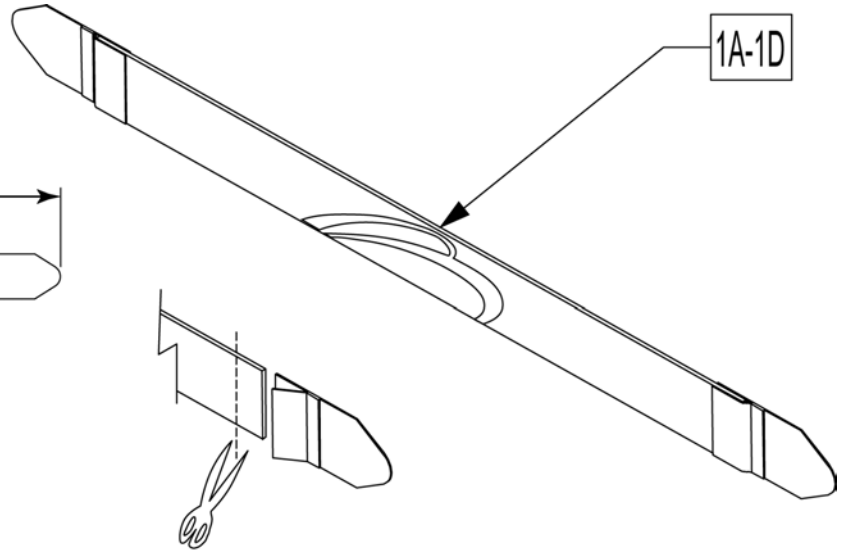


Pos.	Item Number	Description
1A	109356	LEG STRAP SOFT FEEL Q 11 -12"
1B	109357	LEG STRAP SOFT FEEL Q 13 -15"
1C	109366	LEG STRAP SOFT FEEL Q 16 -18"
1D	111487	LEG STRAP SOFT FEEL Q 19 -20"

MEASURING GUIDE

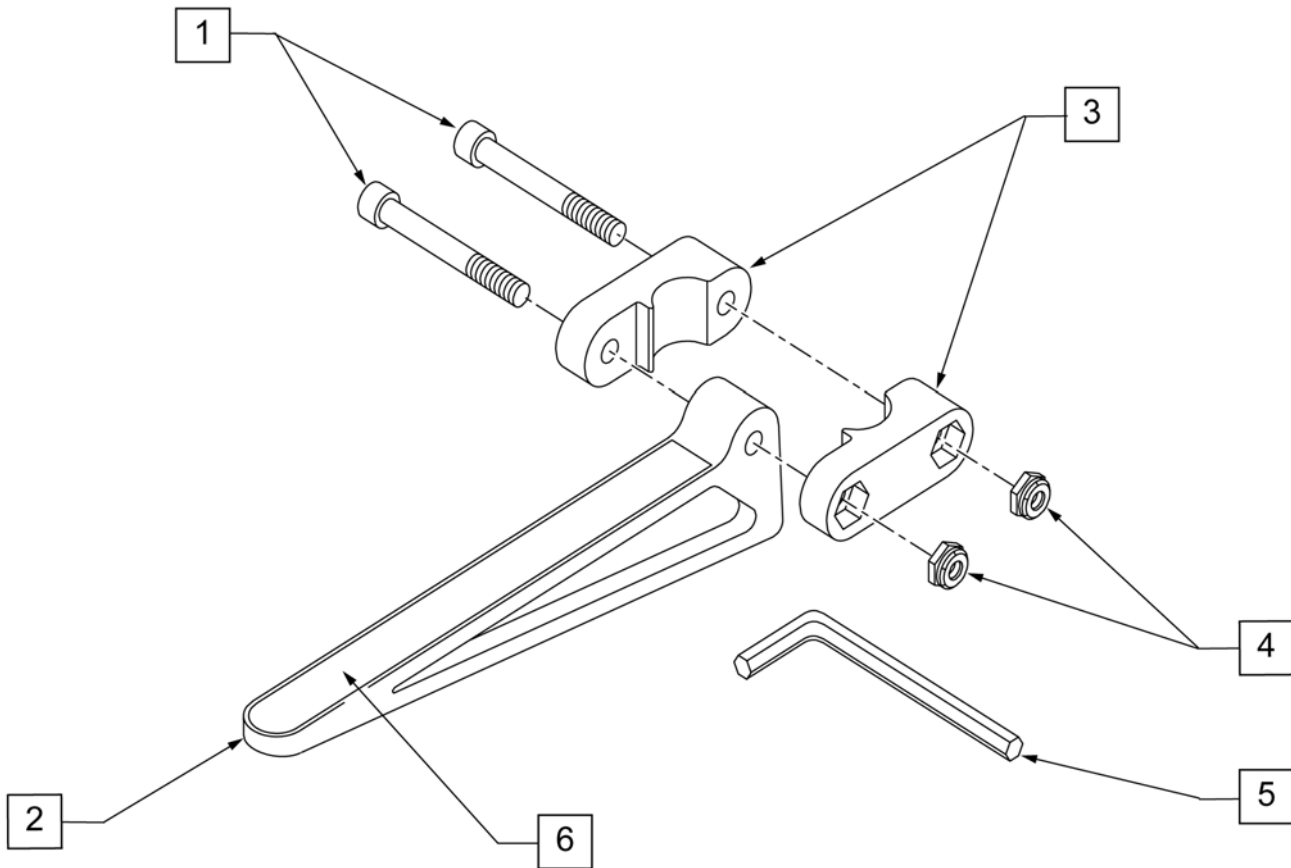


DESCRIPTION	DIM "A"
LEG STRAP 11"-12" BLK	27 1/2
LEG STRAP 13"-15" BLK	32 1/2
LEG STRAP 16"-18" BLK	39 1/2
LEG STRAP 19"-20" BLK	45 1/2



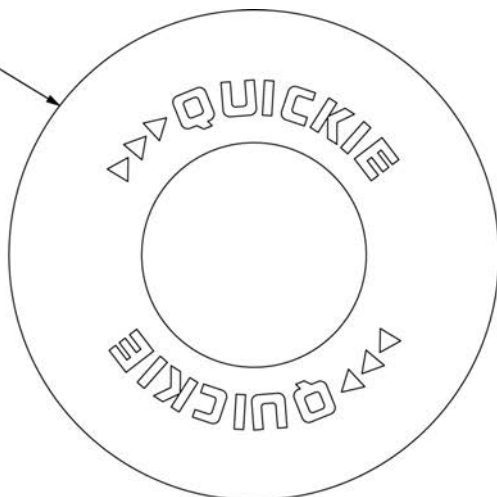
Leg Straps may be custom cut to a smaller size

Pos.	Item Number	Description
1A	113255	LEG STRAP 11"-12" BLK
1B	113256	LEG STRAP 13"-15" BLK
1C	113257	LEG STRAP 16"-18" BLK
1D	113258	LEG STRAP 19"-20" BLK

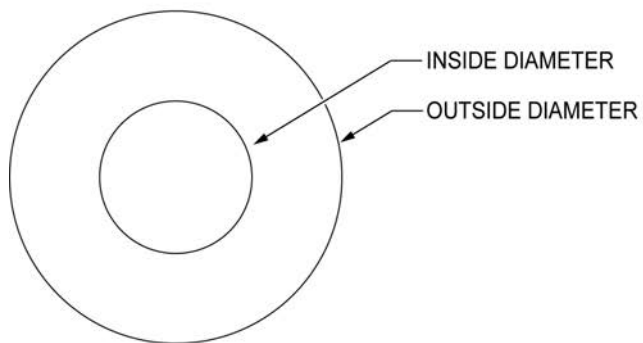
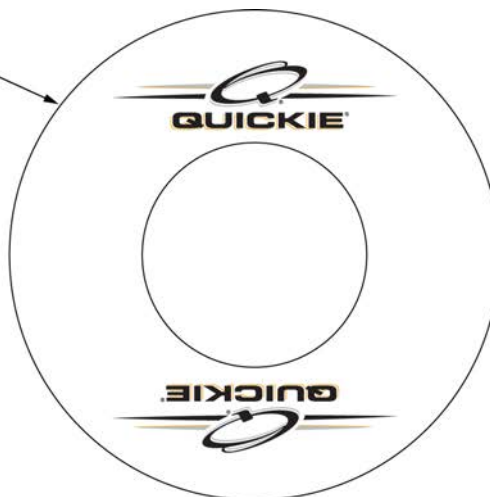


Pos.	Item Number	Description	Remarks
1	226128	1/4-28 x 1 1/4 SOC C/S	
2	561105	CADDY ARM	
3	561104	CADDY CLAMP	
4	106935	NUT NYLOCK THIN 1/4-28 ROHS	
5	349998	3/16" ALLEN WRENCH	
6	580050	CADDY TAPE	
1-6	902350	QUICKIE CADDY (PR)	PAIR

1A



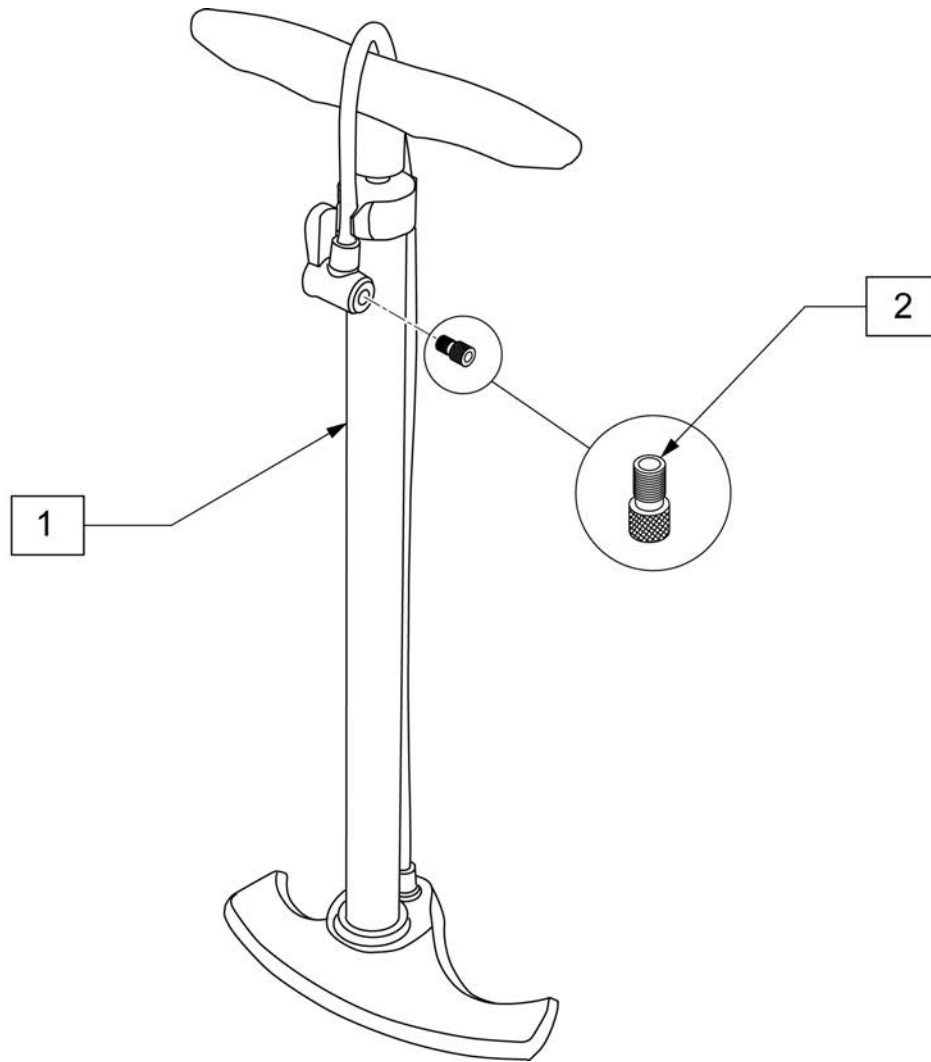
1B



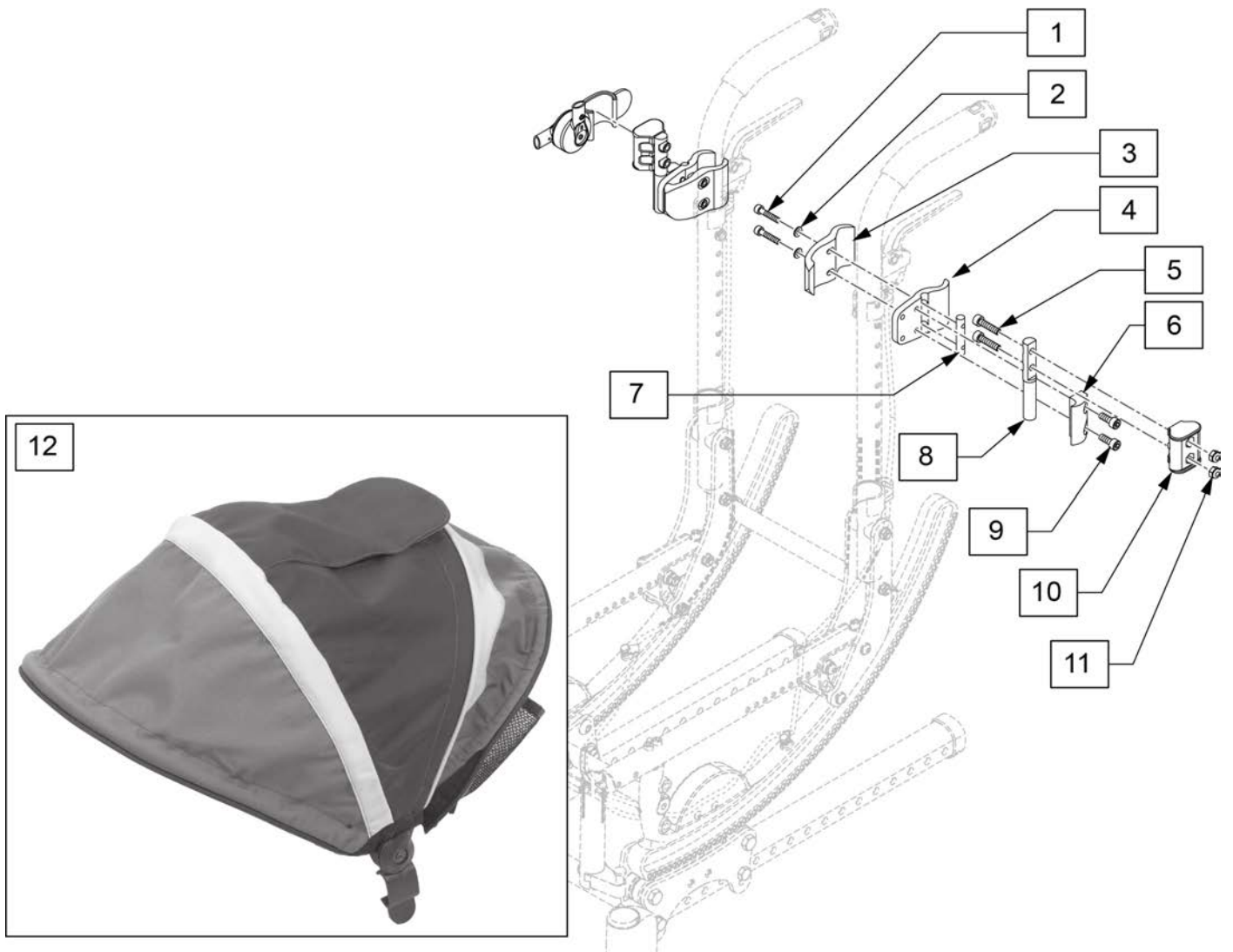
SPOKE GUARD MEASURING GUIDE

PART NUMBER	INSIDE DIAMETER	OUTSIDE DIAMETER
902001	8 1/4	15 7/8
902011	8 1/4	18 1/8
902021	10 1/4	19 5/8
902025	10 1/4	20 3/8
902037	10 1/4	21 7/8
902038	10 1/4	23 3/8
103660-001	8 1/4	16
103660-002	8 1/4	18
103663-001	10 1/4	20 1/2
103663-002	10 1/4	23 1/2
103734-001	10 1/4	19 1/4
103734-002	10 1/4	22
119336	10 1/4	19 1/4

Pos.	Item Number	Description	Remarks
>>>>		BLACK SPOKE GUARDS	
1A	902001	SPK GRDS 20" QUICKIE BLK	Pair-BLACK-FITS 20" WHEELS
1A	902011	SPK GRDS 22" QUICKIE BLK	Pair-BLACK-FITS 22" WHEELS or 24" (540) WHEELS W/ PROJECTION HANDRIMS
1A	902021	SPK GRD 24" QUICKIE SCR MT BLK	Pair-BLACK-FITS 24" (540) MAG & SPOKE WHEELS
1A	902025	SPK GRD 24" QUICKIE TAB MT BLK	Pair-BLACK-FITS 25" (559) SPOKE WHEELS
1A	902037	SPK GRD 26" QUICKIE TAB MT BLK	Pair-BLACK-FITS 26" (590) WHEELS
1A	902038	SPK GRD 26" QUICKIE HT BLK	Pair-BLACK-FITS 27" (700) WHEELS
>>>>		CLEAR SPOKE GUARDS	
1B	103660-001	CLEAR SPOKE GUARD 20"	Pair-CLEAR-FITS 20" WHEELS
1B	103660-002	CLEAR SPOKE GUARD 22"	Pair-CLEAR-FITS 22" WHEELS or 24" (540) WHEELS W/ PROJECTION HANDRIMS
1B	103734-001	SPOKE GUARD 24" CLR	Pair-CLEAR-FITS 24" (540) SPOKE WHEELS
1B	119336	SPOKE GUARD 24" CLR	Pair-CLEAR-FITS 24" (540) MAG WHEELS
1B	103663-001	SPOKE GUARD 24" QP CLR	Pair-CLEAR-FITS 25" (559) WHEELS
1B	103734-002	SPOKE GUARD 26" CLR	Pair-CLEAR-FITS 26" (590) WHEELS
1B	103663-002	SPOKE GUARD 26" QP CLR	Pair-CLEAR-FITS 27"(700) WHEELS



Pos.	Item Number	Description
1	389050	TIRE PUMP
2	381230	VALVE ADAPTER PRESTA



Pos.	Item Number	Description
1-11	125761	HARDWARE 10-14 WIDE RIGHT
1-11	125762	HARDWARE 10-14 WIDE LEFT
1-11	125763	HARDWARE 15-20 WIDE RIGHT
1-11	125764	HARDWARE 15-20 WIDE LEFT
12	126053	CANOPY BLACK 10-14 WIDE
12	126054	CANOPY BLACK 15-20 WIDE
1-12	125320	CANOPY ASSEMBLY 10-14 WIDE
1-12	125321	CANOPY ASSEMBLY 15-18 WIDE